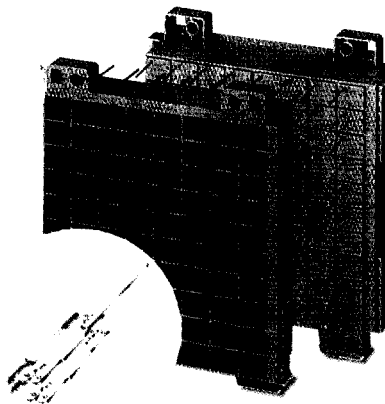
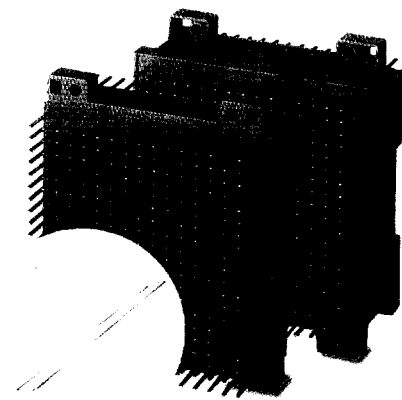


# Multiway Connector Blocks for Tab, Spring Force, TERMI-POINT® and Wire-Wrap® Connection



## W 80/80-FS/TP

80-position with 6.3/2.8 mm tabs  
and single-sided WW or TP connection



## W 80/320-TP/TP

320-position with double-sided TP connection

Connection	AWG	I [A]	Length L [mm]
WW (1 x 1)	26-20	10*	26
TP (1.6 x 0.8)	28-22	10*	26
TP (2.4 x 0.8)	24-20	10*	28

\* per WW connection (1 x 1) 10 A  
per TP connection (1.6 x 0.8) 4 A  
per TP connection (2.4 x 0.8) 5 A

Connection data	I [A]	U [V]
Tab connection 6.3/2.8 x 0.8 mm	16	400
WW and TP connections see table	1)	1)

Connection data	[mm]	AWG	I [A]	U [V]
TP connection 2.4 x 0.8		24-20	5	400
The nominal voltage applies to the equipment with 160 TP pins.				
Nominal voltage when equipped with 320 TP pins 250 V.				

### Description

**Multiway connector block, 80-position, one metal part per chamber, three 6.3/2.8 mm tabs on one side, one 1 x 1 mm WW pin on the other side**

**Multiway connector block, 80-position, one metal part per chamber, three 6.3/2.8 mm tabs on one side, one 1.6 x 0.8 mm TP pin on the other side**

**Multiway connector block, 80-position, one metal part per chamber, three 6.3/2.8 mm tabs on one side, one 2.4 x 0.8 mm TP pin on the other side**

**Multiway connector block, 160-position, two metal parts per chamber, one 2.4 x 0.8 TP pin on each side**

**Multiway connector block, 320-position, four metal parts per chamber, one 2.4 x 0.8 TP pin on each side**

**Multiway connector block, 80-position, one metal part per chamber, two 1.5 mm<sup>2</sup> spring force connections on one side and three 6.3/2.8 mm tabs on the other**

(1) **Holder**, for mounting on for fixing multiway connector blocks, aluminum, dimensions see drawing on page 215

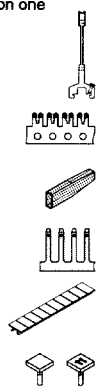
(2) **Potential busbar, with slotted 6.3/2.8 mm tabs**, brass, tin-plated, length: 1 m

(3) **Plastic sheath** <sup>5)</sup>, as touch protection, slide onto conductor for 6.3 receptacles before fitting for 2.8 receptacles

(4) **Potential busbar, with 2.4 x 0.8 mm TP pins**, pin pitch 7.62 mm, bronze, tin-plated, length: 0.76 m

(5) **Zack strip**, 10-section, white

(6) **Marker pin, plastic, unprinted**: for labelling with marker pen  
**printed**: with 1, 2 or 3 characters, white



Type	Order No.	Pcs. Pkt.	Type	Order No.	Pcs. Pkt.
W 80/80-FS/WW (1 x 1)	06 14 01 4	3			
W 80/80-FS/TP (1,6 x 0,8)	06 14 05 6	3			
W 80/80-FS/TP (2,4 x 0,8)	06 14 06 9	3			
			W 80/160-TP/TP (2,4 x 0,8) <sup>2)</sup>	06 14 12 4	2
			W 80/320-TP/TP (2,4 x 0,8) <sup>2)</sup>	06 14 15 3	2
W 80-T/AL-NS 35	06 14 19 5	2	W 80-T/AL-NS 35	06 14 19 5	2
S-FS (2,8x0,8) I <sub>max.</sub> : 40 A	31 91 69 9	1	S-FS (2,8x0,8) I <sub>max.</sub> : 40 A	31 91 69 9	1
PT/FS 6,3	06 04 70 7	500			
PT/FS 2,8	14 06 70 0	500			
S-TP (2,4 x 0,8)	31 91 70 9	1	S-TP (2,4 x 0,8)	31 91 70 9	1
ZB 6 (order data, see page 263)			ZB 6 (order data, see page 263)		
BN WH	14 01 40 4	100	BN WH	14 01 40 4	100
BNB WH... <sup>4)</sup>	14 01 41 7	100	BNB WH... <sup>4)</sup>	14 01 41 7	100

see dimensional drawing on page 259

see dimensional drawing on page 259

### Dimensions

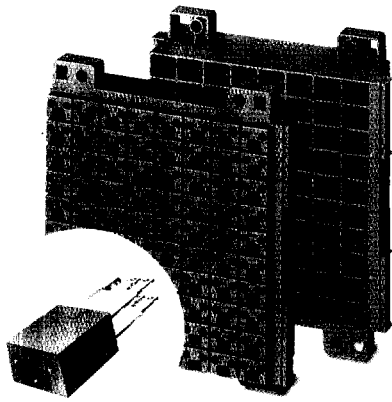
#### Technical data in accordance with IEC/ DIN VDE

Total current per metal part	[A]	16
Rated surge voltage / contamination class	[kV] / -	6 / 3
Surge voltage category / insulation material group	- / -	III / I
<b>Connection capacity</b>		
stranded with 2.8 mm receptacles	[mm <sup>2</sup> ]	3)
stranded with 6.3 mm receptacles	[mm <sup>2</sup> ]	3)
<b>Insulation material</b>		
Inflammability class acc. to UL 94		PA-F
Temperature indices RTI / Ti		HB
		120 / 145

Wire-Wrap® = registered trademark of Gardner-Denver  
TERMI-POINT® = trademark of AMP Incorporated

1) Current and voltage data for tab connections in acc. with EN 61 210 are also dependent on nom. size, material and insulation of the receptacle, and also on the conductor cross section.

2) Length L of the TP pins:  
TP (1.6 x 0.8) 20 mm  
TP (2.4 x 0.8) 26 mm

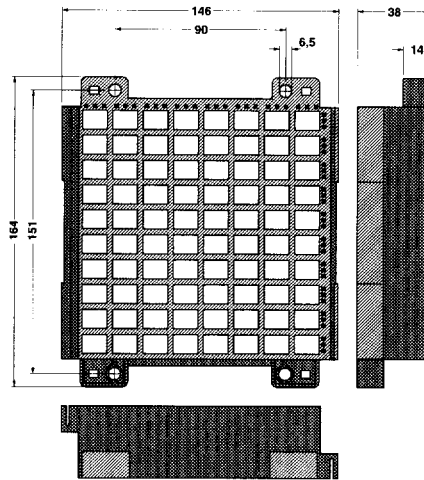


### W 80/80-FK 1,5...

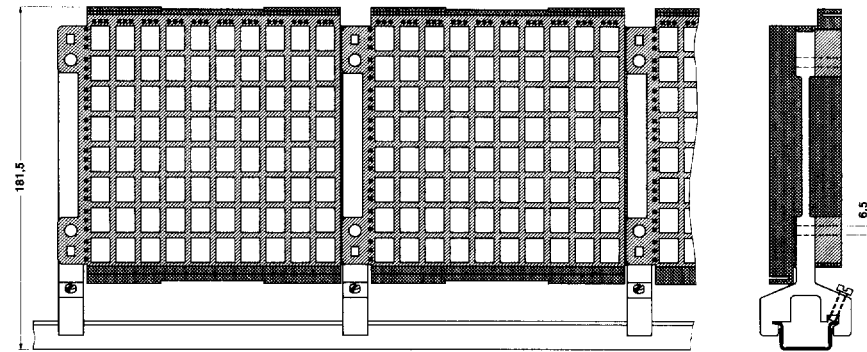
80-position with spring force connection and single-sided 6.3/2.8 mm tab, WW or TP connection

(IEC) [mm <sup>2</sup> ]	rigid solid	flexible stranded	AWG	I [A]	U [V]
Connection data	0.5-2.5	0.5-2.5	24-14	10	250
Tab connection	6.3/2.8 x 0.8 mm				
WW and TP connections	see table				

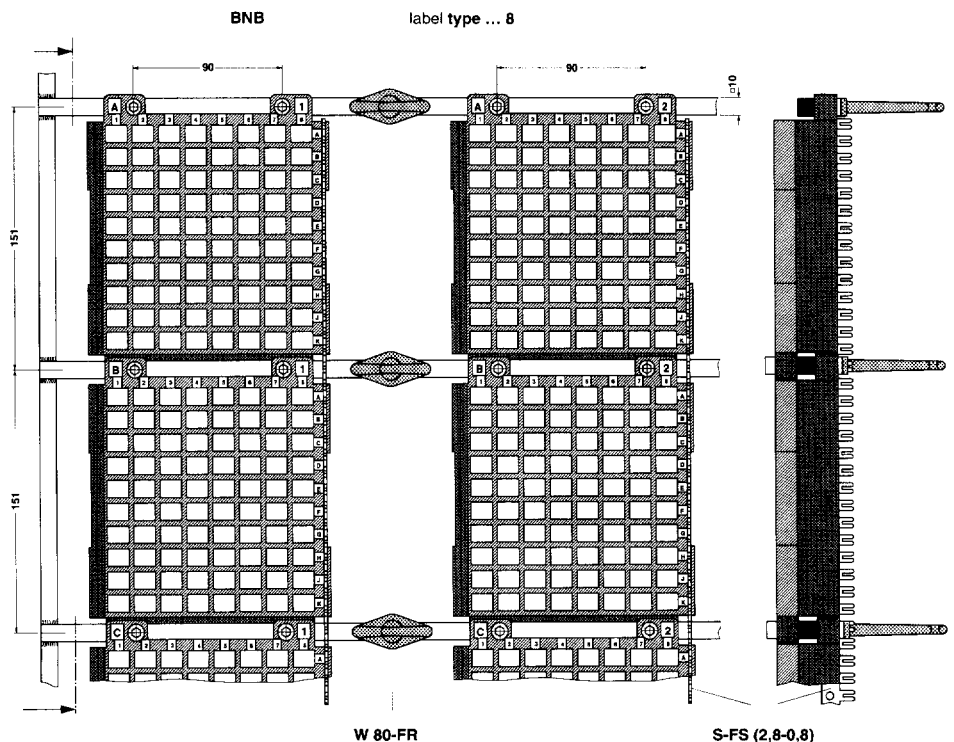
### Dimensional drawing



Multiway connector blocks mounted on the NS 35 rail by means of the holders. Screws and nuts are necessary to fix the multiway connector blocks, for single mounting: M 6×30 for double mounting: M 6×55



Multiway connector blocks W 80/160 mounted on a support frame consisting of 10×10 mm profiles



Type	Order No.	Pcs. Pkt.
W 80/80-FK 1,5/FK 1,5/FK 1,5 (6-2,8-0,8)	06 13 01 5	4
W 80-T/AL-NS 35	06 14 19 5	2
S-FS (2,8x0,8) $I_{max}: 40 A$	31 91 69 9	1
PT/FS 6,3	06 04 70 7	500
PT/FS 2,8	14 06 70 0	500
S-TP (2,4 x 0,8)	31 91 70 9	1
ZB 6 (order data, see page 263)		
BN WH	14 01 40 4	100
BNB WH:...	14 01 41 7	100

see dimensional drawing

- 10
- 4 / 3
- III / I
- 3)
- 3)
- PA-F
- HB
- 120 / 145

3) Dependent on the receptacle.  
4) Required marking is to be specified.  
5) For conductors up to 1.5 mm<sup>2</sup>.