

This specification describes a 30 AWG, 150-ohm balanced line cable.

CONDUCTOR

Material: OFHC Silver-plated Copper
Size: 30 AWG
Construction: 7 x 38
OD(nom): .012"

INSULATION

Two conductors are profile-extruded together with Expanded PTFE
OD(nom): .047" x .094"

DRAIN WIRE

Material: Silver-plated Copper
Size: 30 AWG
Construction: 7 x 38
OD(nom): .012"

SHIELD

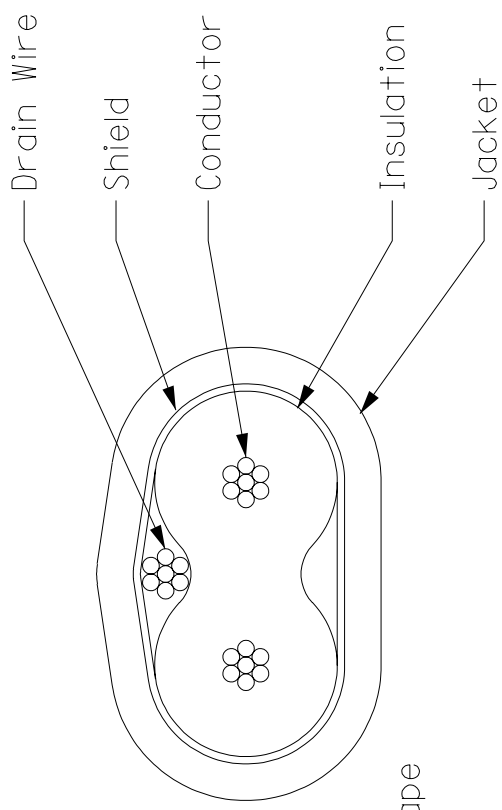
Material: Aluminum/Polyester Tape
25% lap
OD(nom): .054" x .097"

JACKET

Material: Extruded PVC
Wall Thickness(nom): .008"
OD(nom): .070" x .113"

ELECTRICAL CHARACTERISTICS

Impedance: 150 +/- 10 ohms
Capacitance(nom): 8 pF/ft
Time Delay: 1.17 +/- .03 ns/ft
Velocity of Propagation(nom): 85%
Skew(max): 10 ps/ft when tested according to IP# 8.1.39 Method 2



COLOR

Jacket: Gray
Insulation: White, White/Blue

MFG. SH. REV.			
APP'D. BY	GJK	MJM	
CHK'D. BY	GJK	MJM	
DATE	97/10/29		
DRWN	GJK		

REVISIONS

DIMENSIONS SHOWN (METRIC) INCH	
UNLESS OTHERWISE SPECIFIED TOLERANCES: ANGULAR ± 1/2°	
INCH	METRIC
3 PLACE ± ---	---
2 PLACE ± ---	± ---
1 PLACE ---	± ---

DRAFT WHERE APPLICABLE MUST REMAIN WITHIN DIMENSIONS

FILE NAME	1533006	DGN	
DRWG. NO.	71153-3006	DRWG. NO.	SD-71153-3006
SHEET NO.	1 OF 1	DATE	97/10/29

TITLE		REVISE ONLY ON CAD SYSTEM	
150 OHM TWIN-AXIAL CABLE ALUMINUM/MYLAR SHIELD			
MOLEX INCORPORATED		LISLE, ILL. 60532 U.S.A.	
PART NO.		DRWG. NO.	
71153-3006		SD-71153-3006	
FILE NAME		THIS DRAWING CONTAINS INFORMATION THAT IS PROPRIETARY TO MOLEX INC. AND SHOULD NOT BE USED WITHOUT WRITTEN PERMISSION.	
1533006		D	
DGN		DIV.	
		D	
		SIZE	
		A	

A

B

C

D

6

5

4

3

2

1

6

5

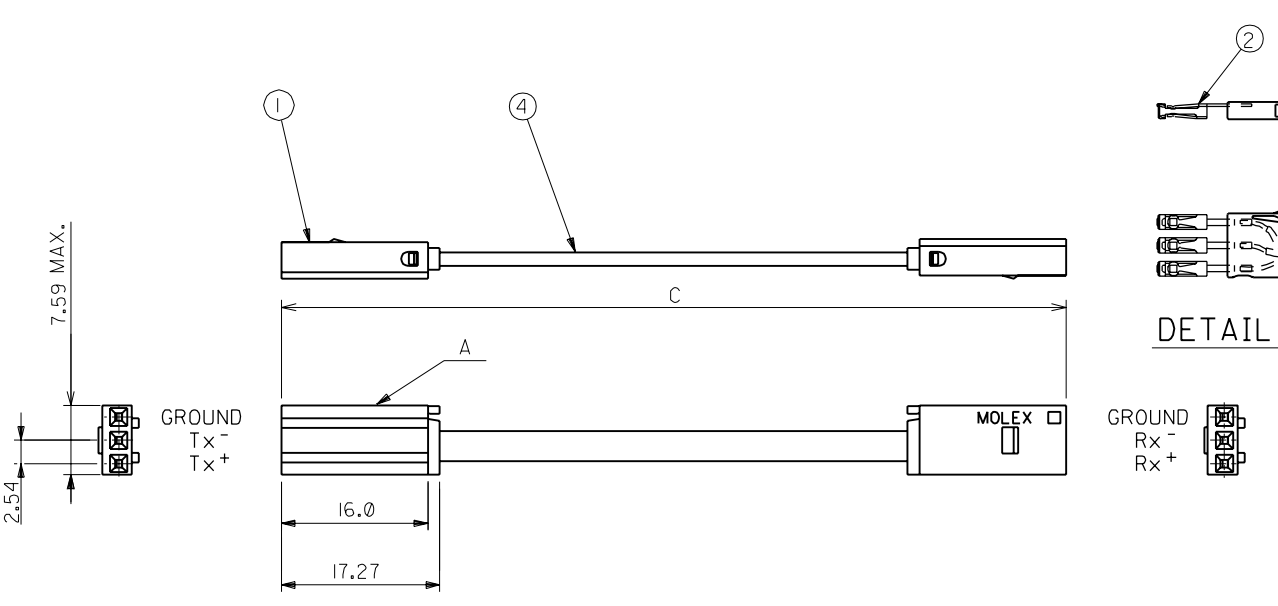
4

3

2

71153

DWG. NO. SD-73046-001

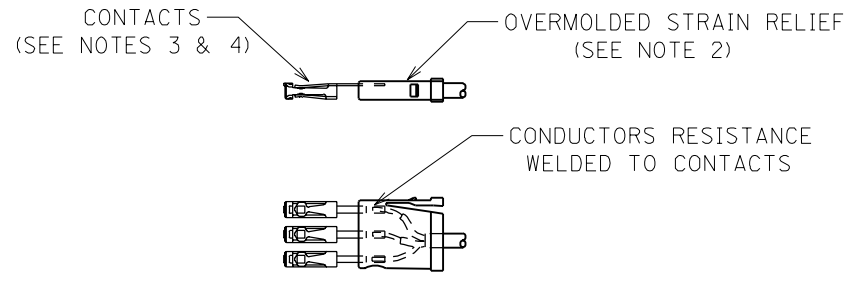
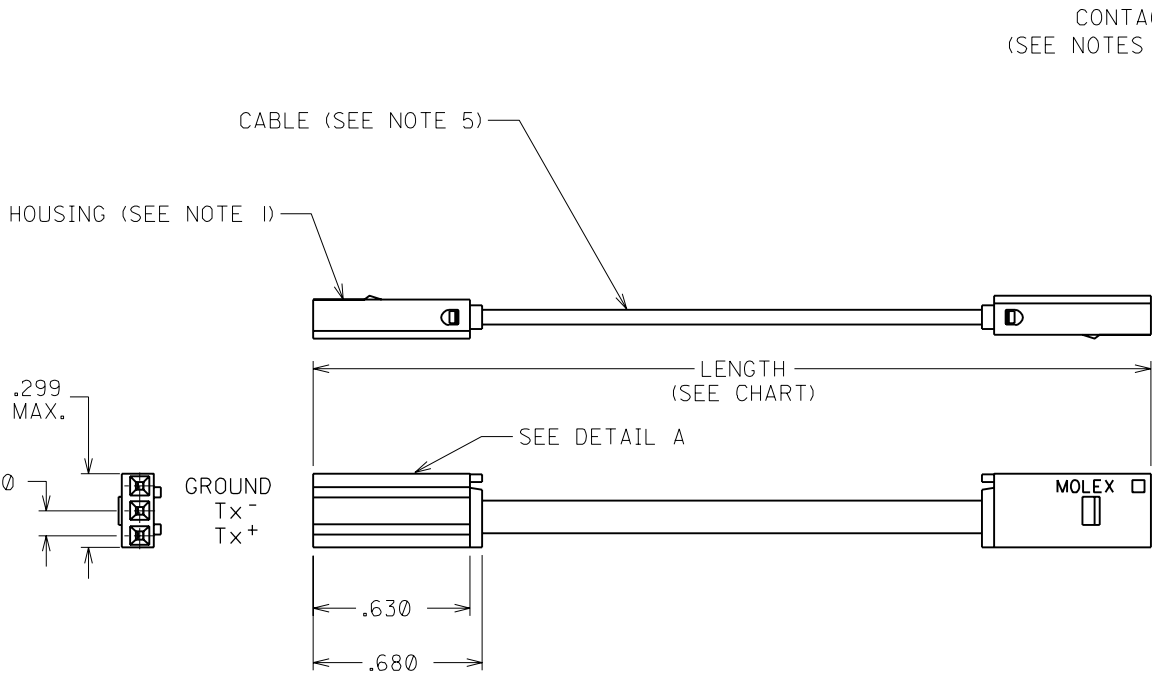


④	ケーブル CABLE	—	—	添付図面 SD-71153-001 参照 REFER TO SALES DRAWING SD-71153-001
③	オーバーモールド OVER MOLD	液晶ポリマー(LCP)樹脂 LIQUID CRYSTAL POLYMER	—	94V-0, 色:黒 94V-0, COLOR:BLACK
②	コンタクト CONTACT	りん青銅 PHOSPHOR BROZE	ニッケル(Ni)下地最小 1.27µm NICKEL UNDER-PLATING 1.27 MICRO METER-MINIMUM. 金メッキ(Au) 最小 0.76 µm GOLD PLATING 0.76 MICRO METER-MINIMUM.	接触部分Auメッキ GOLD PLATING ON CONTACT AREA
①	ハウジング HOUSING	液晶ポリマー(LCP)樹脂 LIQUID CRYSTAL POLYMER	—	94V-0, 色:黒 94V-0, COLOR:BLACK
部番 NO.	品名 PARTS	材質 MATERIAL	メッキ PLATING	記事 NOTES

単位 UNIT	C	ワイヤーサイズ (AWG)	製品番号 MATERIAL NO.
INCH (in)	5±0.5	30	73046-0007
	8±0.5	30	73046-0010
	12±0.5	30	73046-0001
	14±0.5	30	73046-0017
	18±0.5	30	73046-0002
	24±0.5	30	73046-0003
METER (m)	36±1.0	30	73046-0008
	0.17±0.01	30	73046-0014
	0.45±0.01	30	73046-0015
	0.5±0.01	30	73046-0009
	1±0.01	30	73046-0004
	1.1±0.01	30	73046-0016
	2±0.03	30	73046-0011
	3±0.03	30	73046-0012
	4±0.05	30	73046-0013
	5±0.05	30	73046-0005
10±0.05	28	73046-0006	

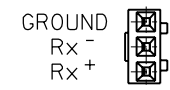
DO NOT SCALE DRAWING

EC NO. DRWN: CHK: APPR:	EC NO. DRWN: CHK: APPR:	EC NO. DRWN: CHK: APPR:	EC NO. DRWN: CHK: APPR:	EC NO. DRWN: CHK: APPR:	ECNN: JD2000-0262 DRWN: K.TOYODA '99/09/30 CHK: M.SASAO '99/09/30 APPR: H.IKESUGI '99/09/30	RELEASD	MATERIAL 材料	GENERAL TOLERANCES: (UNLESS SPECIFIED) 一般公差	SCALE #	DESIGN UNITS <input checked="" type="checkbox"/> mm <input type="checkbox"/> INCH	THIRD ANGLE PROJECTION	DIMENSIONS: <input type="checkbox"/> mm <input type="checkbox"/> INCH <input checked="" type="checkbox"/> mm ONLY	SHT REV
					SEE CHART		SEE CHART	10 UNDER 未滿	±0.2	DRAWN BY & DATE H.NAKATANI '99/08/21	TITLE: CABLE ASSEMBLY 1 X 3 FIBER CHANNEL		
					FINISH 仕上げ		SEE CHART	10 OVER 以上	±0.25	CHECKED BY & DATE <i>[Signature]</i>			
					WIRE RANGE 適用線径範囲		—	30 OVER 以上	±0.3	APPROVED BY & DATE <i>[Signature]</i>			
					INS. RANGE 被覆外径		—	ANGLE 角度	±3°	CAD FILENAME SD-73046-001.S01	MATERIAL NO. SEE CHART	DRAWING NO. SD-73046-001	SHEET NO. 1 OF 1
THIS DRAWING CONTAINS INFORMATION THAT IS PROPRIETARY TO MOLEX INCORPORATED AND SHOULD NOT BE USED WITHOUT WRITTEN PERMISSION.													SIZE B



DETAIL A

LENGTH	WIRE (AWG)	ITEM NUMBER
5±0.5in	30	73046-0007
8±0.5in	30	73046-0010
10±0.5in	30	73046-0018
12±0.5in	30	73046-0001
14±0.5in	30	73046-0017
15±0.5in	30	73046-0019
18±0.5in	30	73046-0002
20±0.5in	30	73046-0020
24±0.5in	30	73046-0003
36±1in	30	73046-0008
40±1in	30	73046-0021
0.17±0.01m	30	73046-0014
0.45±0.01m	30	73046-0015
0.5±0.01m	30	73046-0009
1±0.01m	30	73046-0004
1.1±0.01m	30	73046-0016
2±0.03m	30	73046-0011
3±0.03m	30	73046-0012
4±0.05m	30	73046-0013
5±0.05m	30	73046-0005
10±0.05m	28	73046-0006



- NOTES:
- HOUSING MATERIAL: G.F. LIQUID CRYSTAL POLYMER, 94V-0, COLOR: BLACK
 - STRAIN RELIEF MATERIAL: G.F. LIQUID CRYSTAL POLYMER, 94V-0, COLOR: BLACK
 - CONTACT MATERIAL: PHOSPHOR BRONZE
 - CONTACT PLATING: 30 MICROINCHES MINIMUM GOLD PLATE IN SELECT AREA OVER 50 MICROINCHES MINIMUM NICKEL PLATE OVERALL
 - SEE MOLEX 71153-3*** DRAWINGS FOR CABLE DETAILS
 - CHARACTERISTIC IMPEDANCE: 150± 10 OHMS (MEASURED DIFFERENTIALLY)
 - MATING PIN LENGTHS:
MINIMUM: .180 INCHES
MAXIMUM: .340 INCHES
 - INSERTION/WITHDRAWAL FORCES:
INSERTION: 10 OUNCES MAXIMUM PER CONTACT
WITHDRAWAL: 1 OUNCE MINIMUM PER CONTACT
 - NORMAL FORCE: 100 GRAMS MINIMUM

MFG. SH. REV.	K	LTR.	DRWG. BY ATP	APP'D. BY MJM	CLK'D. BY ATP	SCALE 2 : 1	ADDED OPTIONS PER UDT2000-0644 007/01/10 ATP	REVISIONS	DIMENSIONS SHOWN (METRIC) INCH		REVISE ONLY ON CAD SYSTEM	
									UNLESS OTHERWISE SPECIFIED TOLERANCES: ANGULAR = 1/2°		TITLE	
		INCH		METRIC				3 PLACE ± .010 ---		1 X 3 FIBRE CHANNEL CABLE ASSEMBLY		
		2 PLACE ± --- ± ---						1 PLACE --- ± ---		MOLEX INCORPORATED SHEET NO. DATE		
								DRAFT WHERE APPLICABLE MUST REMAIN WITHIN DIMENSIONS		LISLE, ILL. 60532 U.S.A. 1 OF 1 01/13/97		
								PART NO. DRWG. NO.		SEE CHART SDA-73046-****		
								FILE NAME S73046X1 DGN		THIS DRAWING CONTAINS INFORMATION THAT IS PROPRIETARY TO MOLEX INC. AND SHOULD NOT BE USED WITHOUT WRITTEN PERMISSION.		
								DIV. D		SIZE B		