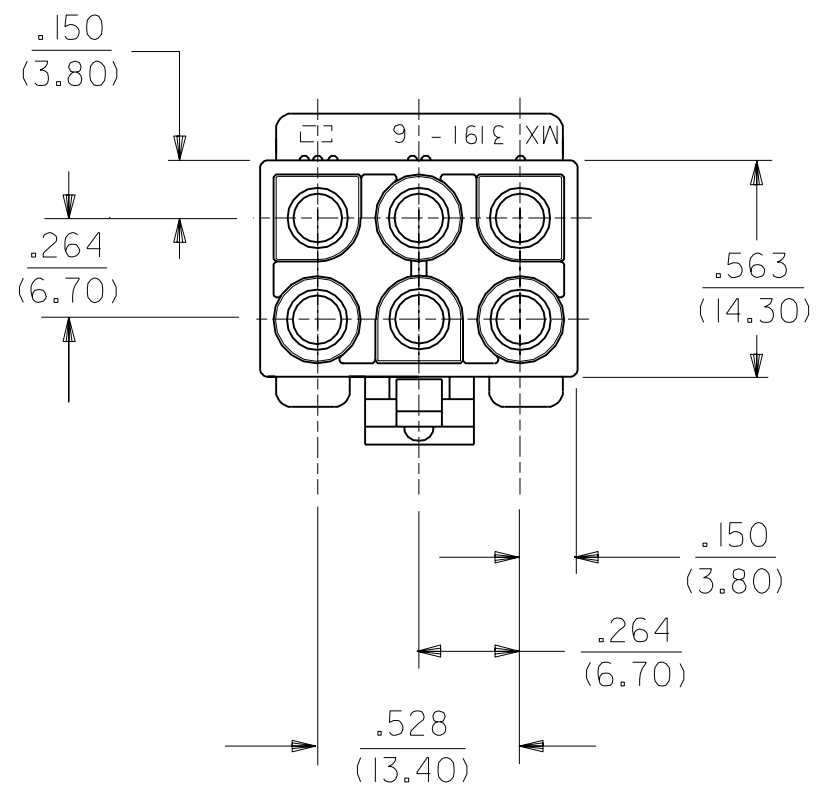
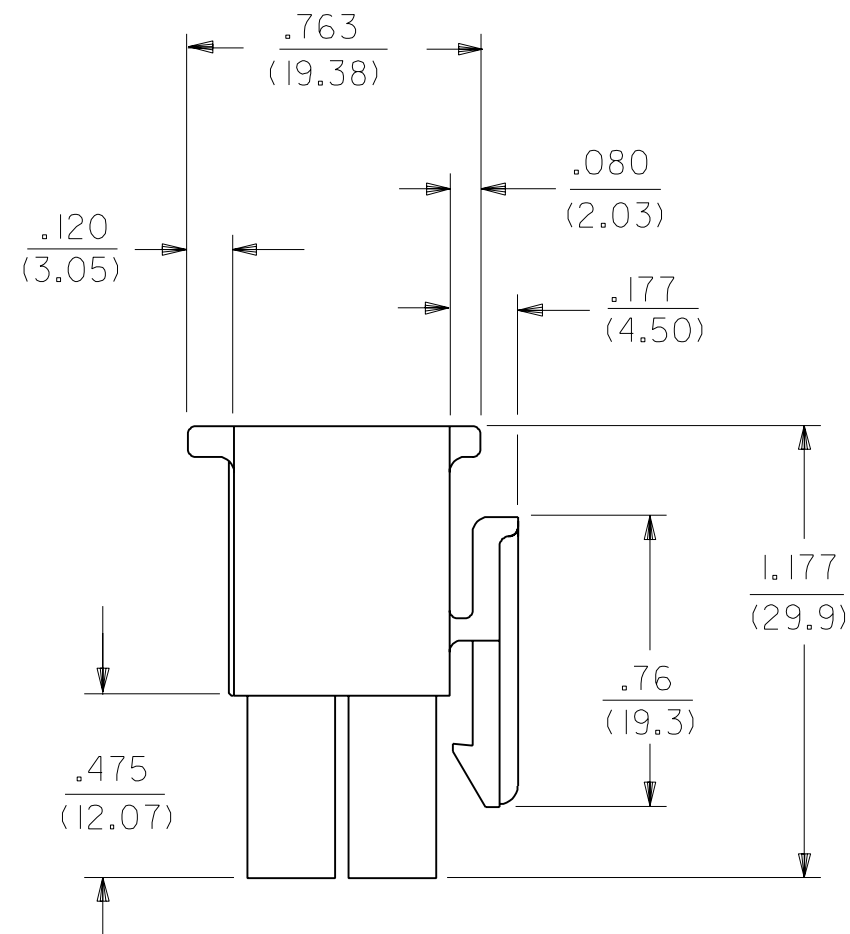
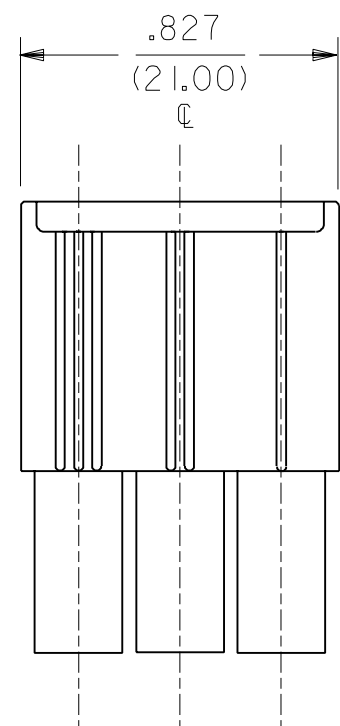
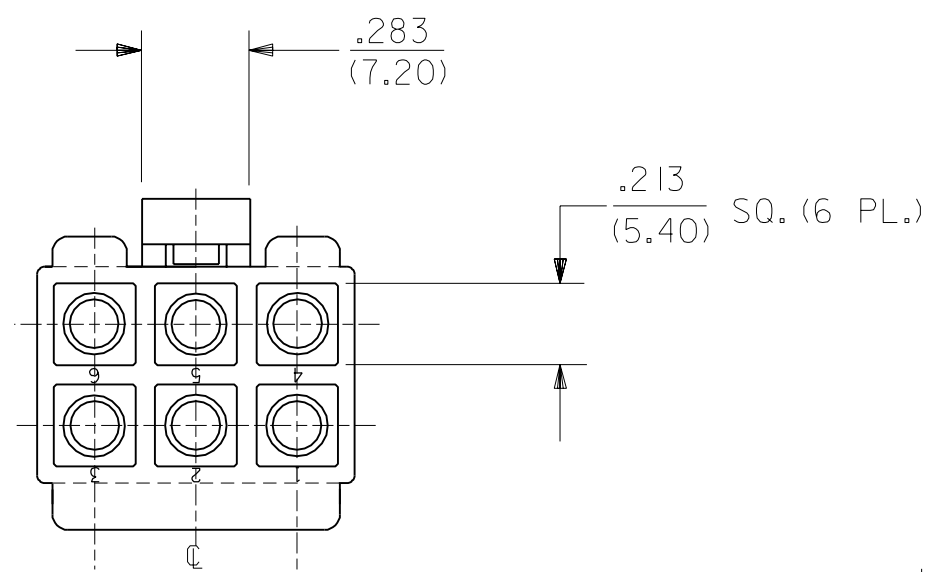


13 12 11 10 9 8 7 6 3191 4 3 2 1



RECEPTACLE

DIMENSIONS SHOWN (METRIC) INCH
UNLESS OTHERWISE SPECIFIED
TOLERANCES: ANGULAR ± 10°

	INCH	METRIC
3 PLACE	± .010	---
2 PLACE	± .014	± 0.25
1 PLACE	---	± 0.36

DRAFT WHERE APPLICABLE MUST
REMAIN WITHIN DIMENSIONS

▽ =	▼ =	REVISE ONLY ON CAD SYSTEM
TITLE .093/(2.36) HOUSING PLUG AND RECEPTACLE 6 CIRCUIT, .264/(6.70)CTRS		
MOLEX	MOLEX INCORPORATED LITSE, ILL. 60532 U.S.A.	SHEET NO. 2 DATE 1/22/88
PART NO. SEE SHEET 3		DRWG. NO. SD-3191-6*

DRWG. BY: JJS	CHK'D. BY: RW
APP'D. BY: RAS	SCALE: 2:1
LTR.	REVISIONS
J	SEE SHT 1
LTR.	REVISIONS

13 12 11 10 9 8 7 6 5 4 3 2 1

PLUG	
PART NO.	ENG. NO.
19-09-2068	3191-6P
19-09-2069	3191-6PI
19-09-2067	3191-6P-201
19-09-2066	3191-6PI-201
19-09-7069	3191-6PRD
19-09-7068	3191-6PBK

RECEPTACLE	
PART NO.	ENG. NO.
19-09-1069	3191-6R1
19-09-1066	3191-6R1-201
19-09-6060	3191-6RIRD
19-09-6069	3191-6RIBK

LEGEND:
 3191-6****-*

CIRCUIT SIZE

P = PLUG
 R = RECEPTACLE

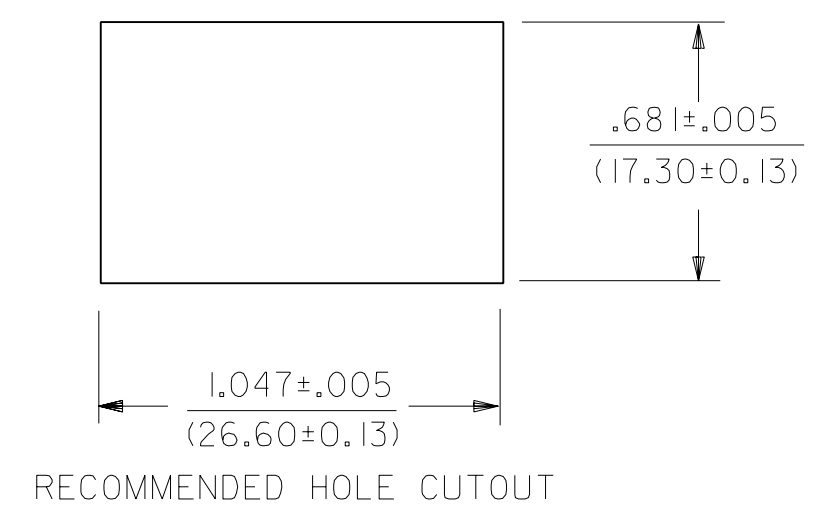
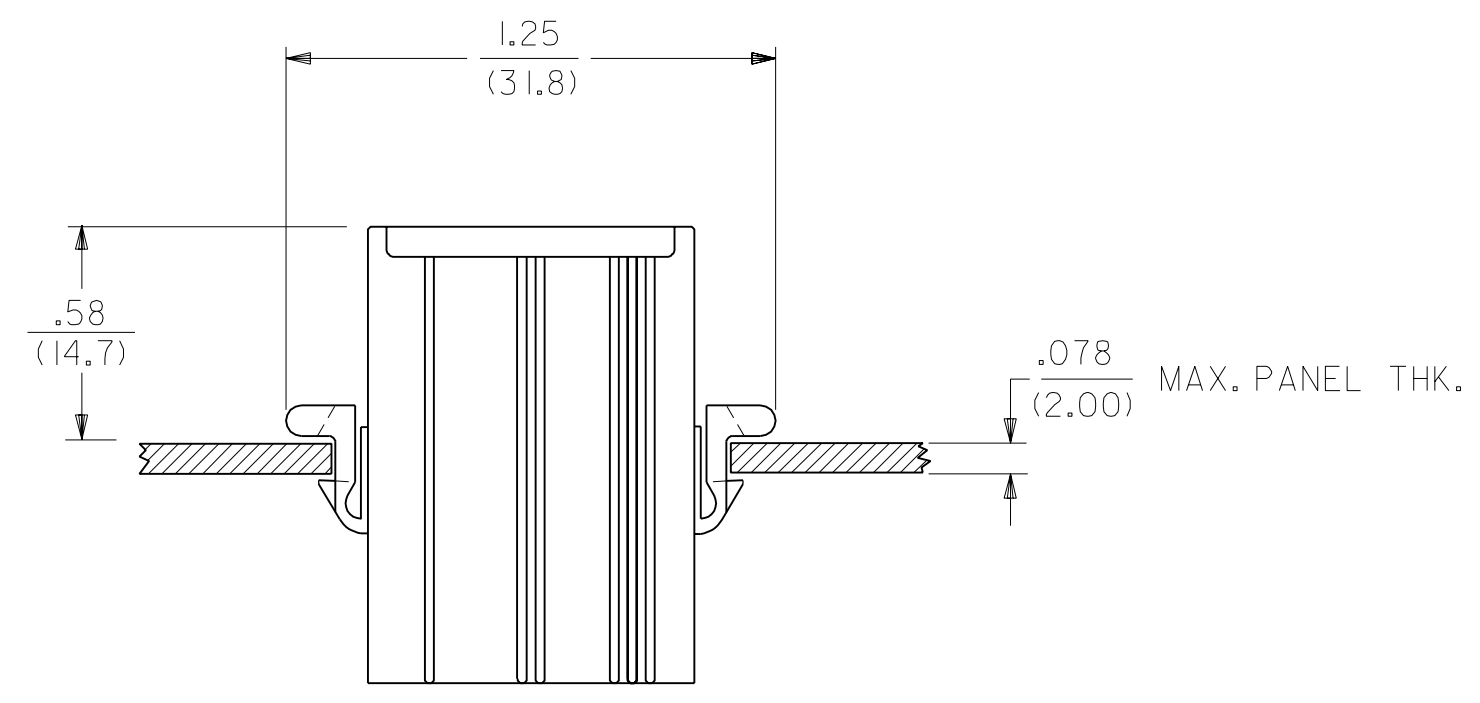
EARS: BLANK = WITH PREBENT EARS (PLUG ONLY)
 I = WITHOUT EARS

COLOR: BLANK = NATURAL COLOR

AM=AMBER BK=BLACK BU=BLUE
 BN=BROWN GY=GRAY GN=GREEN
 OR=ORANGE RD=RED YW=YELLOW

COLORS AVAILABLE ONLY IN 94V-2 MATERIAL

MATERIAL: BLANK=NYLON TYPE 6/6, 94V-2
 201=NYLON TYPE 6/6, 94V-0



MOUNTING HOLE DETAIL

DIMENSIONS SHOWN (METRIC) INCH		UNLESS OTHERWISE SPECIFIED TOLERANCES: ANGULAR ± 10°		REVISIONS		REVISIONS		REVISIONS		REVISIONS		REVISIONS		REVISIONS		REVISIONS		REVISIONS		REVISIONS															
3 PLACE ± .010 ---		INCH METRIC		M		SEE SHEET I		L		SEE SHT. I		K		SEE SHT. I		J		SEE SHT. I		DRWG. BY JJS		CHK'D. BY RW		APP'D. BY RAS		SCALE ---:---		LTR.		REVISIONS		LTR.		REVISIONS	
2 PLACE ± .014 ± 0.25		1 PLACE --- ± 0.36		DRAFT WHERE APPLICABLE MUST REMAIN WITHIN DIMENSIONS		DRWG. NO.		FILE NAME		THIS DRAWING CONTAINS INFORMATION THAT IS PROPRIETARY TO MOLEX INC. AND SHOULD NOT BE USED WITHOUT WRITTEN PERMISSION.		DIV. CP		SIZE C		MATERIAL		COLOR		FINISH		TOLERANCE		UNIT		SCALE		DATE		SHEET NO.		DATE			
TITLE		.093/(2.36) HOUSINGS PLUG AND RECEPTACLE 6 CKT., .264/(6.70) CTRS.		MATERIAL		COLOR		FINISH		TOLERANCE		UNIT		SCALE		DATE		SHEET NO.		DATE		MATERIAL		COLOR		FINISH		TOLERANCE		UNIT		SCALE		DATE	
MOLEX INCORPORATED		LITSLIE, ILL. 60532 U.S.A.		SHEET NO. 3		DATE 1/22/88		PART NO. SD-3191-6*		DRWG. NO.		SEE CHART		MATERIAL		COLOR		FINISH		TOLERANCE		UNIT		SCALE		DATE		SHEET NO.		DATE					