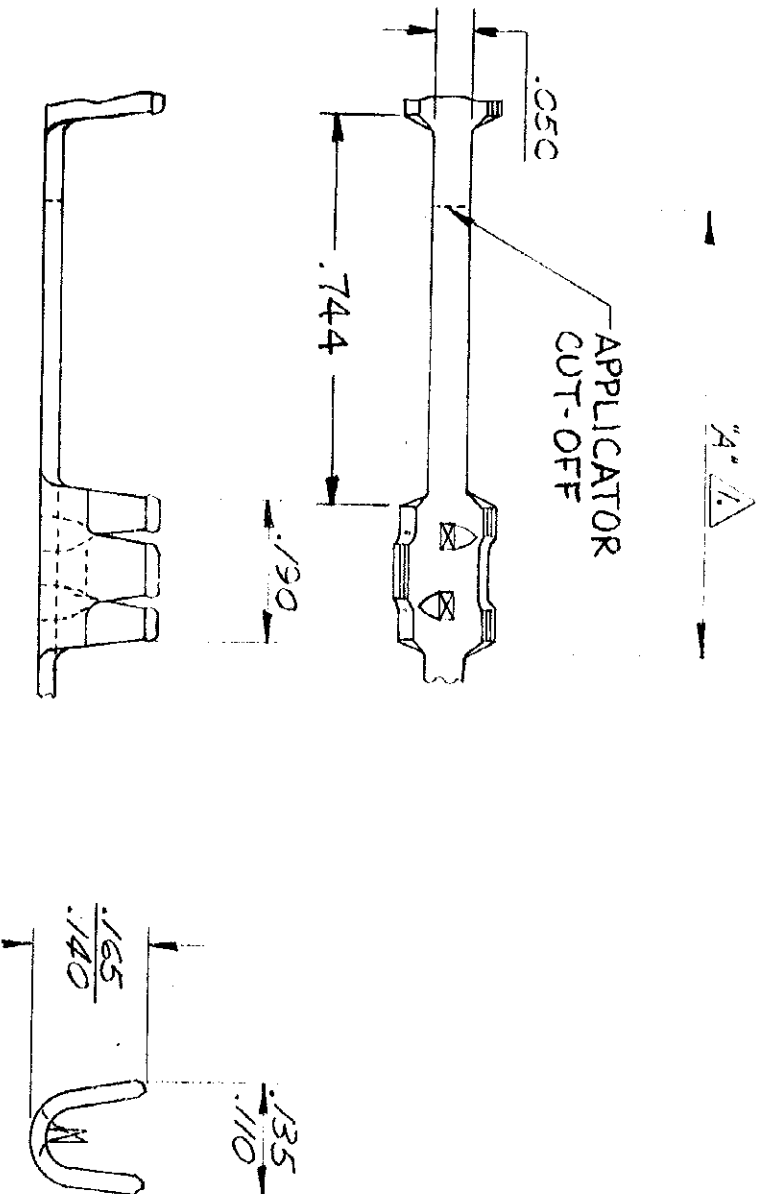


NUMBER  
61248



CONTINUOUS STRIP, ON REELS

WIRE SIZE A.W.G.	INSULATION RANGE	MATERIAL AND FINISH	TERMINAL NUMBER
20-18	.065-.080	.020-BEASS - TIN	61248-1

NOTE:

USE SLUG BLADE IN APPLICATOR AS FOLLOWS:

"A" SLUG BLADE	
.576	.362
.562	.078

DIMENSIONS IN INCHES. DO NOT SCALE PRINT

LTR	REVISION RECORD	DR	CHK	DATE
A	REVISED	55	44	10/3/83
O	RELEASED	NEW	CM	12/2/82
	A-1057			

©1967 BY AMP INCORPORATED. ALL RIGHTS RESERVED. AMP PRODUCTS COVERED BY PATENTS AND/OR PATENTS PENDING. MATERIAL AND FINISH

CUSTOMER COPY REFERENCE ONLY

**AWMP** AMP INCORPORATED HARRISBURG, PENNA.

WIRE RANGE — INSULATION  
TOLERANCE EXCEPT AS NOTED ± 1° 0' SCALE 4-1

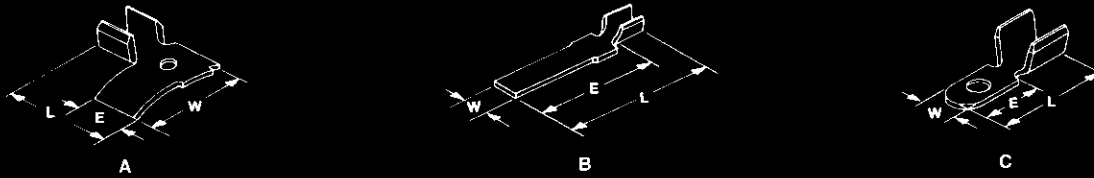
CLASS TYPE  
LOC NO  
A A 61248  
REV A

DR	CHK	APP	DATE
DR	CHK	APP	DATE
DR	CHK	APP	DATE
DR	CHK	APP	DATE

TAB-INSULATION PIERCING

## Contacts and Welding Tabs

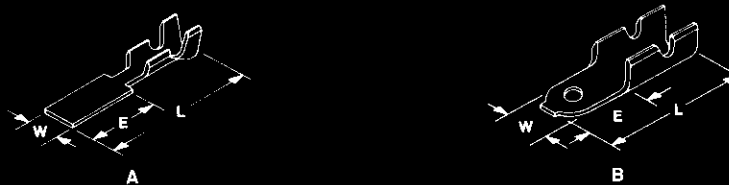
### Non-Insulation Support



Type	Wire Range		Stock Thk.	Material	Dimensions			Part No.	Quick Change Applicator Nos.	
	AWG	mm <sup>2</sup>			W	L	E		Model K	Model T
A	18-14	0.8-2	.020 0.51	Phosphor Bronze	.390 9.91	.341 8.66	.154 3.91	42920-4	670647-1	—
B	18-14 or (2)18	0.8-2 or (2)0.8-0.9	.016 0.41	Brass	.140 3.56	.700 17.78	.560 14.22	42349-1 <sup>1</sup>	672163-2	—
C	20-16	0.5-1.4	.020 0.51	Tin Plated Steel	.125 3.18	.270 6.86	.175 4.45	62153-1 <sup>2</sup>	687797-2	—

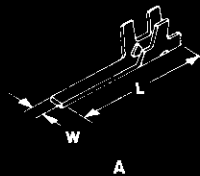
<sup>1</sup>Tab bent up 60° in applicator.  
<sup>2</sup>Dimple up.

### Insulation Support



Type	Wire Range		Insul. Dia. Range	Stock Thk.	Material	Dimensions			Quick Change Applicator Nos.		
	AWG	mm <sup>2</sup>				W	L	E	Model K	Model T	
A	26-22	0.12-0.4	.092-.112 2.34-2.85	.008 0.2	Stainless Steel	.115 2.92	.685 17.4	.375 9.53	62278-1	466148-2	—
A	26-22	0.12-0.4	.080 Max. 2.3	.012 0.3	Pre Nickel Plated Steel	.090 2.29	.362 9.19	.100 2.54	62062	466613-2	—
B	20-16	0.3-0.9	.090-.130 2.29-3.30	.020 0.51	Tin Plated Steel	.125 3.18	.365 9.27	.162 4.11	40990-1	466160-2	—

### Insulation Piercing



Type	Wire Range		Insul. Dia. Range	Stock Thk.	Material	Dimensions			Quick Change Applicator Nos.		
	AWG	mm <sup>2</sup>				W	L	E	Model K	Model T	
A	20-18	0.5-0.9	.065-.080 1.52-2.03	.020 0.51	Tin Plated Brass	.050 1.27 .862 21.89	.578 14.68 .862 21.89	—	61248-1 <sup>1</sup>	466288-2	—

<sup>1</sup>Applicator cuts to length.

**Note:** The part numbers listed are for use with existing machine models. For Model "G" applicators part numbers, call the AMP Tooling Assistance Center at 1-800-722-1111.

- [Home](#)
- [Part Number Search](#)
- [Document Search](#)
- [Text Search](#)
- [Alternate Part Search](#)
- [Multiple Part Comparison](#)
- [Alphabetical Search](#)
- [Brand Search](#)
- [Industry Product Search](#)
- [Product Type Search](#)
- [Product Family Search](#)
- [Competitor Cross Reference](#)
- [Lead Free Solutions](#)
- [Help/Glossary](#)

<b>Current Brand View</b>	<b>AMP</b>	<a href="#">View All Tyco Electronics Brands</a> <small>Click to activate links to all other products</small>
---------------------------	------------	--

## Terminals and Splices

### Miscellaneous Terminals

**AMP**    **61248-1**    **Active**    [Active](#)

**(Tyco Electronics P/N: 61248-1)**

[Search for Parts](#) | [Previous](#) [1] [2](#) [3](#) [4](#) [5](#) [6](#) [7](#) [Next](#)

Document links for this part cannot be displayed. Your browser does not support inline frames or is currently configured not to display inline frames. Inline frames are supported in both Internet Explorer 5 and Netscape 6, as well as all later versions of these browsers.

Related Part Information		
General Information	eCommerce	Related Part Information
<a href="#">General Info</a> <a href="#">Sales Info</a> <a href="#">Assembly Subcontractors</a>	<a href="#">Pricing</a> <a href="#">Product Availability</a>	

Searchable Features:	
<b>Brand:</b>	AMP
<b>Product Type:</b>	Tab
<b>Insulation Support:</b>	Insulation Piercing
<b>Wire Range (mm [AWG]):</b>	0.5-0.9 <sup>2</sup> [20-18]
<b>Double Wire:</b>	No
<b>Material:</b>	Brass
<b>Diode:</b>	Without
<b>Finish:</b>	Tin
<b>Packaging Method:</b>	Strip
<b>Bulb:</b>	Without

Other Properties:	
<b>Insulation Diameter (mm [in]):</b>	1.65-2.03 [.065-.080]
<b>Stock Thickness (mm [in]):</b>	0.51 [0.020]

---

[Copyright](#) and [Privacy Statement](#)

Visit [Tyco International, Ltd.](#)

[Products](#) | [Catalog](#) | [Brands](#) | [Industries](#) | [Commerce](#) | [Supplier](#) | [Customer Service](#) | [About](#) | [Home](#)