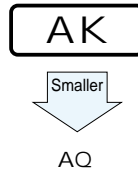


AK Snap-in Terminal Type, Permissible Abnormal Voltage, Wide Temperature Range series

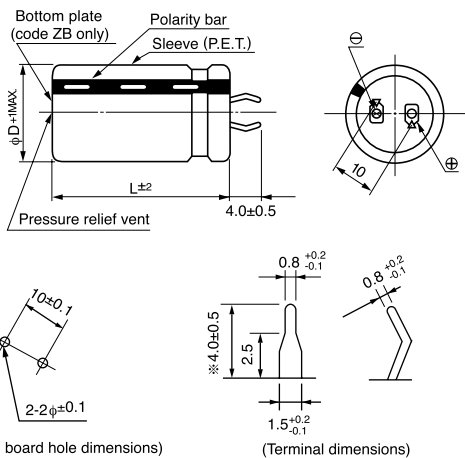
- Withstanding 2000 hours application of rated ripple current at 105°C.
- Extended voltage range at 200V, 400V and 420V.
- Improved safety features for abnormally excessive voltage.
- Ideally suited for the equipment used at voltage fluctuating area.
- Adapted to the RoHS directive (2002/95/EC).



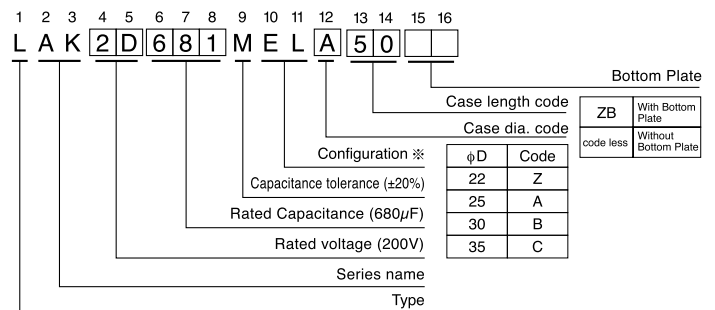
Specifications

Item	Performance Characteristics			
Category Temperature Range	- 25 ~ +105°C			
Rated Voltage Range	200 · 400 · 420V			
Rated Capacitance Range	33 ~ 1200μF			
Capacitance Tolerance	±20% at 120Hz, 20°C			
Leakage Current	$I \leq 3\sqrt{CV}$ (μA) (After 5 minutes' application of rated voltage) [C : Rated Capacitance (μF) V : Voltage (V)]			
tan δ	0.20MAX. 120Hz 20°C			
Stability at Low Temperature	Rated voltage(V)		200	400 · 420
	Impedance ratio (MAX)	Z - 25°C/Z+20°C	8	8
Endurance	After an application of DC voltage (in the range of rated DC voltage even after over-lapping the specified ripple current) for 2000 hours at 105°C, capacitors meet the characteristic requirements listed at right.			Measurement frequency : 120Hz
	Capacitance change	Within ±20% of initial value		
	tan δ	200% or less of initial specified value		
Shelf Life	After storing the capacitors under no load at 105°C for 1000 hours, and after performing voltage treatment based on JIS C 5101-4 clause 4.1 at 20°C, they will meet the requirements listed at right.			Measurement frequency : 120Hz
	Capacitance change	Within ±15% of initial value		
	tan δ	150% or less of initial specified value		
Safety Performance	The pressure relief vent will operate in normal conditions, with no dangerous conditions such as flames, ignitions or dispersion of pieces of the capacitor and/or case.			
	rating		test conditions	
	Voltage (V)	Capacitance (μF)	Limited DC current	Test voltage
	200	C < 330	4 A	300VDC and 375VDC
		330 ≦ C < 470	5 A	
		470 ≦ C	7 A	
	400	C < 100	2 A	500VDC and 600VDC
100 ≦ C < 220		4 A		
220 ≦ C		7 A		
420	C < 100	2 A	520VDC and 630VDC	
	100 ≦ C < 220	4 A		
	220 ≦ C	7 A		
Marking	Printed with white color letter on black sleeve			

Drawing



Type numbering system (Example : 200V 680μF)



※ Please contact to us if other configurations are required.

Minimum order quantity : 50pcs.

● Dimension table in next page.

■Dimensions

Cap.(μF)	Code	V(Code) φD	200V (2D)				400V (2G)				420V (W6)			
			22	25	30	35	22	25	30	35	22	25	30	35
33	330					22×20 0.22					22×25 0.25			
39	390					22×20 0.30								
47	470		22×20 0.35			22×25 0.35	25×20 0.35	30×20 0.40			22×25 0.35			
56	560					22×25 0.38	25×20 0.38				22×25 0.38			
68	680					22×25 0.40	25×25 0.45	30×20 0.50			22×30 0.45	25×25 0.45		
82	820					22×30 0.50	25×25 0.50	30×20 0.50			22×35 0.64	25×30 0.64		
100	101		22×20 0.50			22×35 0.55	25×30 0.53	30×25 0.53	35×20 0.55		22×40 0.69	25×30 0.69		
120	121					22×40 0.60	25×30 0.60	30×25 0.60			22×45 0.75	25×35 0.75	30×25 0.69	35×25 0.75
150	151			25×20 0.65		22×45 0.70	25×35 0.70	30×30 0.70	35×25 0.70			25×40 0.82	30×30 0.75	35×25 0.82
180	181		22×25 0.70		30×20 0.70	22×50 0.80	25×40 0.80	30×30 0.80	35×25 0.80			25×45 0.90	30×30 0.82	35×30 0.90
220	221		22×25 0.74				25×45 0.90	30×35 0.90	35×30 0.90				30×35 0.90	35×35 1.00
270	271		22×30 0.90	25×25 0.85				30×40 0.98	35×35 0.96				30×40 1.00	35×40 1.10
330	331		22×30 1.05	25×30 1.05	30×25 1.05			30×50 1.21	35×40 1.21				30×45 1.10	35×45 1.20
390	391		22×35 1.20	25×30 1.20	30×25 1.20				35×45 1.32					
470	471		22×40 1.30	25×35 1.30	30×25 1.35				35×50 1.45					
560	561		22×45 1.50	25×40 1.50	30×35 1.55	35×25 1.55								
680	681			25×50 1.70	30×40 1.70	35×30 1.70								
820	821				30×45 1.99	35×35 1.99								
1000	102				30×50 2.10	35×40 2.10								
1200	122					35×50 2.30							Case size φD×L (mm)	Rated ripple

Rated Ripple (Arms) at 105°C 120Hz

●Frequency coefficient of rated ripple current

Frequency (Hz)	50	60	120	1k	10k~	
Coefficient	200V	0.85	0.88	1.00	1.15	1.20
	400・420V	0.88	0.90	1.00	1.10	1.15