

MATERIALS AND FINISHES

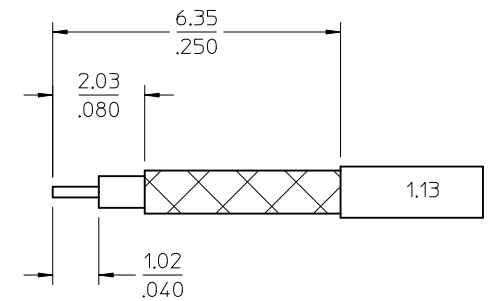
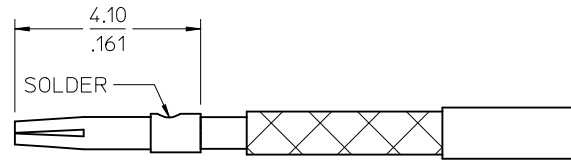
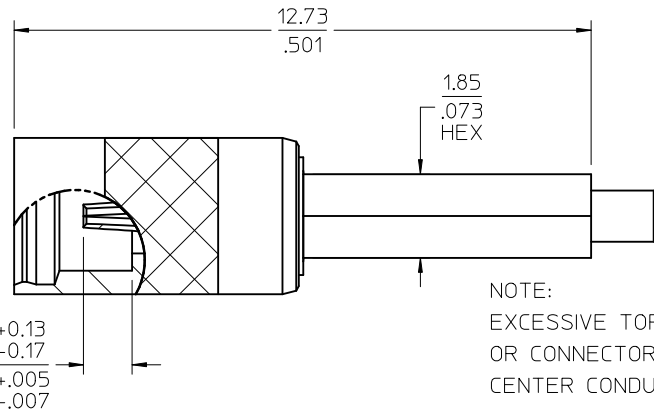
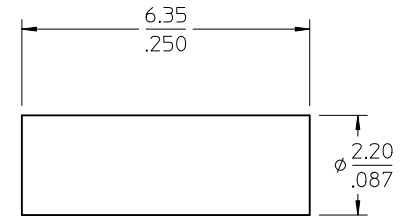
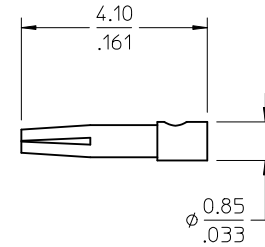
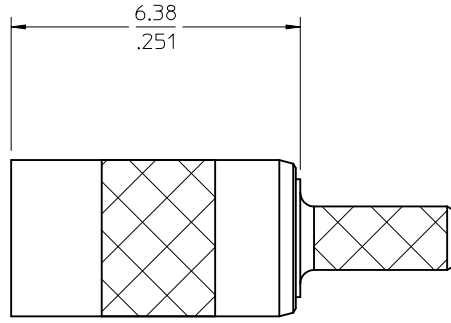
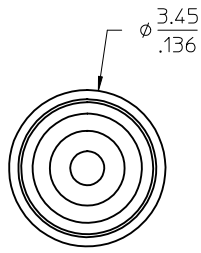
BODY: BRASS
PLATED GOLD

INSULATOR: TEFLON

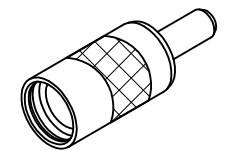
CONTACT: BERYLLIUM COPPER
PLATED GOLD

CRIMP TUBE: BRASS
SEE TABLE

MATING FORCE: 3.4 LBS MAX
UN-MATING FORCE: 1.0-3.0 LBS



NOTE:
EXCESSIVE TORQUE TO CABLE
OR CONNECTOR MAY DAMAGE CABLE
CENTER CONDUCTOR.



73415-3412	GOLD	1 PIECE 73415-3410 IN SINGLE BAG WITH LABEL
73415-3411	BLACK ZINC	STANDARD
73415-3410	GOLD	STANDARD
PART NO.	FINISH	PACKAGING

PS-89675-1920	PRODUCT SPECIFICATION
CECC-22-340	INTERFACE
SPECIFICATION	DESCRIPTION

CHG: REDREW IN SD. ADDED -3412 FOR SINGLE BAG OPTION. ADDED CABLE ASSY INSTRS. EC NO: URF2011-0576 DRWN: AROBERTSON 2011/04/04 CHKD: SSS 2011/04/04 APPR: JWIENER 2011/04/15	QUALITY SYMBOLS ▽=0 ▽=0	GENERAL TOLERANCES (UNLESS SPECIFIED) DIMENSION STYLE MM/IN	SCALE DESIGN UNITS METRIC	THIRD ANGLE PROJECTION
	4 PLACES ± --- ± --- 3 PLACES ± --- ± --- 2 PLACES ± --- ± --- 1 PLACE ± --- ± --- ANGULAR ± 2 °	DRAWN BY AROBERTSON 2011/04/04 CHECKED BY SSS 2011/04/04 APPROVED BY JWIENER 2011/04/15	TITLE MMCX JACK STRAIGHT FOR 1.13 CABLE MMCX-JC, EWR-4677	MOLEX INCORPORATED

DRAFT WHERE APPLICABLE MUST REMAIN WITHIN DIMENSIONS	MATERIAL NO. SEE TABLE	DOCUMENT NO. SD-73415-341	THIS DRAWING CONTAINS INFORMATION THAT IS PROPRIETARY TO MOLEX INCORPORATED AND SHOULD NOT BE USED WITHOUT WRITTEN PERMISSION
--	---------------------------	------------------------------	--