

PLEASE CHECK WWW.MOLEX.COM FOR LATEST PART INFORMATION

Part Number: **0470804005**

Status: **Active**

Overview:

Description: 1.27mm (.050") Pitch Serial ATA Shrouded Signal Plug, Surface Mount, 7 Circuits, with Peg and Locking Latch, Color Black, 0.38µm (15µ") Gold (Au) Plating, Lead-free

Documents:

[3D Model](#)

[Drawing \(PDF\)](#)

[Product Specification PS-67490-001 \(PDF\)](#)

[RoHS Certificate of Compliance \(PDF\)](#)

General

Product Family	PCB Headers
Series	47080
Application	Board-to-Board
Application	Wire-to-Board
Overview	Serial ATA Products
Product Name	Serial ATA

Physical

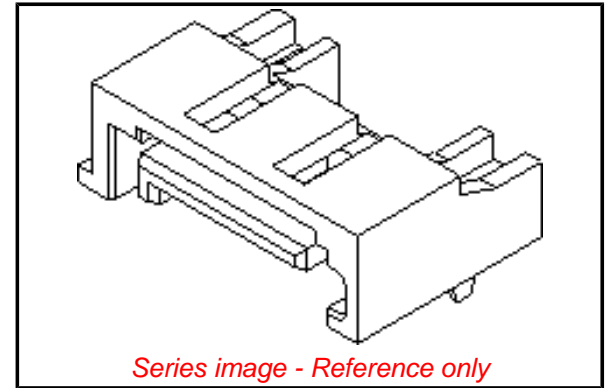
Breakaway	No
Circuits (Loaded)	7
Circuits (maximum)	7
Durability (mating cycles max)	500
First Mate / Last Break	No
Flammability	94V-0
Glow-Wire Compliant	No
Guide to Mating Part	No
Keying to Mating Part	None
Lock to Mating Part	Yes
Material - Plating Mating	Gold
Material - Plating Termination	Tin
Number of Rows	1
Orientation	Right Angle
PCB Locator	Yes
PCB Retention	Yes
PCB Thickness Recommended (in)	0.062 In
PCB Thickness Recommended (mm)	1.60 mm
Packaging Type	Embossed Tape on Reel
Pitch - Mating Interface (in)	0.050 In
Pitch - Mating Interface (mm)	1.27 mm
Plating min: Mating (µin)	15
Plating min: Mating (µm)	0.38
Polarized to Mating Part	Yes
Polarized to PCB	Yes
Shrouded	No
Stackable	No
Temperature Range - Operating	-35°C to +85°C
Termination Interface: Style	Surface Mount

Electrical

CSA	LR 19980
Current - Maximum	1.5A
UL	E29179
Voltage - Maximum	15V

Solder Process Data

Lead-free Process Capability	Reflow Capable (SMT only)
------------------------------	---------------------------



EU RoHS

**ELV and RoHS
Compliant**

REACH SVHC

Contains SVHC: No

Halogen-Free

Status

Not Halogen-Free

**Need more information on product
environmental compliance?**

Email productcompliance@molex.com
Please visit the [Contact Us](#) section for any
non-product compliance questions.

China RoHS



Search Parts in this Series

[47080 Series](#)

Mates With

[67489](#) Serial ATA Signal Connect. ATA
Straight to Straight Signal Cable Assembly
[887505310](#) , [887505318](#) , [887505410](#) ,
[887505418](#)

Process Temperature max. C 230

Material Info

Reference - Drawing Numbers

Product Specification	PS-67490-001
Product Specification	RPS-67490-002
Sales Drawing	SD-47080-001

This document was generated on 12/01/2009

PLEASE CHECK WWW.MOLEX.COM FOR LATEST PART INFORMATION