

EC axial fans mains-powered

S series, Ø 250



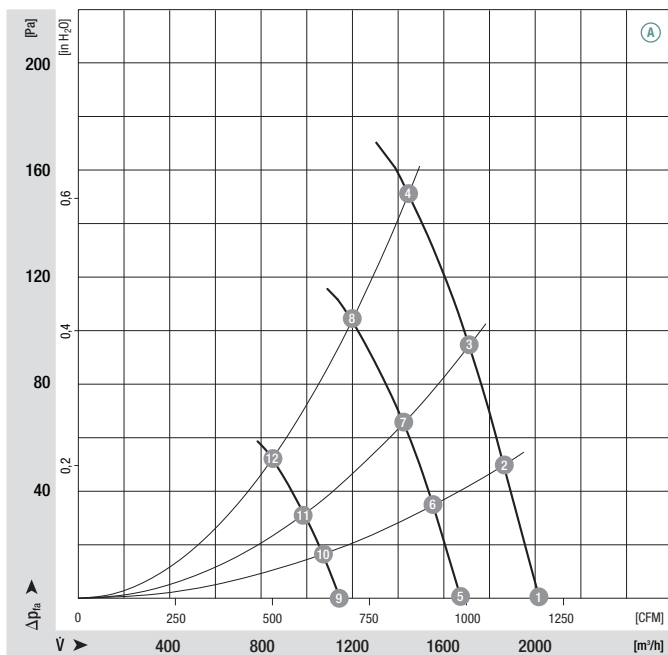
- **Material:** Guard grille: Steel, phosphated and coated in black
Wall ring: Sheet steel, pre-galvanised and coated in black
Blades: Sheet steel, coated in black
Rotor: Coated in black
Electronics enclosure: Die-cast aluminium, coated in black
- **Number of blades:** 7 for direction of air flow "V", 9 for direction of air flow "A"
- **Direction of rotation:** Counter-clockwise, seen on rotor
- **Type of protection:** IP 44
- **Insulation class:** "B"
- **Mounting position:** Shaft horizontal or rotor on bottom (rotor on top on request)
- **Condensate discharges:** Rotor-side
- **Mode of operation:** Continuous operation (S1)
- **Bearings:** Maintenance-free ball bearings

Nominal data		Curve	Nominal voltage range	Frequency	Speed/rpm	Max. power input ⁽¹⁾	Max. current draw ⁽¹⁾	Max. operative range	Perm. amb. temp.	Mass without attachments	Electr. connection
Type	Motor	VAC	Hz	rpm	W	A	Pa	°C	kg	p. 423	
*3G 250	M3G 074-CF	Ⓐ 1~	100-130	50/60	2850	170	2.20	170	-25 to +60	2.4	J1)
*3G 250	M3G 074-CF	Ⓑ 1~	200-277	50/60	3050	175	1.40	210	-25 to +60	2.4	J1)

subject to alterations

(1) Nominal data in operating point with maximum load and 115 or 230 VAC

Curves



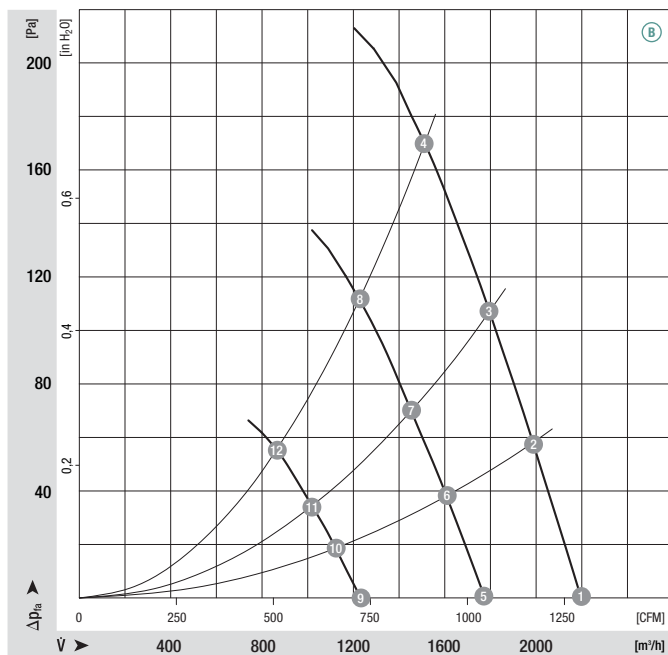
	n [rpm]	P ₁ [W]	I [A]	Lp _A [dB(A)]	η _{HL} [%]
Ⓐ 1	2850	162	1.80	71	—
Ⓐ 2	2820	158	1.90	71	84
Ⓐ 3	2800	153	2.00	72	84
Ⓐ 4	2770	144	2.00	74	79
Ⓐ 5	2360	85	1.10	66	—
Ⓐ 6	2360	91	1.20	66	77
Ⓐ 7	2340	94	1.20	67	77
Ⓐ 8	2310	95	1.20	68	70
Ⓐ 9	1650	33	0.50	62	—
Ⓐ 10	1650	35	0.50	56	68
Ⓐ 11	1650	36	0.50	58	70
Ⓐ 12	1650	37	0.50	59	68

- **Technical features:**
 - PFC (passive)
 - Control input 0-10 VDC / PWM
 - Output 10 VDC max. 1.1 mA
 - Tach output
 - Over-temperature protected electronics / motor
- **EMC:** Interference emission acc. to EN 61000-6-3
Interference immunity acc. to EN 61000-6-2
Harmonics acc. to EN 61000-3-2/3
- **Leakage current:** < 3.5 mA acc. to EN 60950-1
- **Cable exit:** Variable
- **Protection class:** I
- **Product conforming to standards:** EN 60335-1, EN 61800-5-1, EN 60950-1, CE
- **Approvals:** VDE, UL, CSA, CCC, GOST are applied for

Direction of air flow				
	< "V"/"A" > Without attachments	< "V"/"A" > With full round nozzle ⁽²⁾	< "V"/"A" > With guard grille for full nozzle	< "V"/"A" > With guard grille for short nozzle
"V"	A3G 250-AC71 -01	W3G 250-CC71 -01	S3G 250-BC71 -01	S3G 250-AC71 -01
"A"	A3G 250-AD71 -01	W3G 250-CD71 -01	S3G 250-BD71 -01	S3G 250-AD71 -01
"V"	A3G 250-AC54 -01	W3G 250-CC54 -01	S3G 250-BC54 -01	S3G 250-AC54 -01
"A"	A3G 250-AD54 -01	W3G 250-CD54 -01	S3G 250-BD54 -01	S3G 250-AD54 -01

(2) Increased noise levels in "V" direction of air flow

Curves



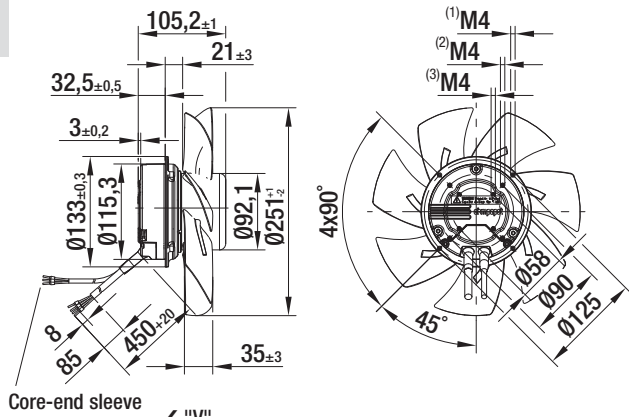
	n [rpm]	P ₁ [W]	I [A]	Lp _A [dB(A)]	η _{HL} [%]
ⓑ 1	3050	170	1.30	72	—
ⓑ 2	2970	169	1.30	73	89
ⓑ 3	2900	169	1.30	74	88
ⓑ 4	2820	168	1.30	75	86
ⓑ 5	2500	96	0.70	68	—
ⓑ 6	2410	94	0.70	68	86
ⓑ 7	2360	94	0.70	69	86
ⓑ 8	2300	94	0.70	69	81
ⓑ 9	1740	37	0.30	57	—
ⓑ 10	1700	37	0.30	56	75
ⓑ 11	1660	37	0.30	58	75
ⓑ 12	1610	37	0.30	59	72

EC axial fans mains-powered

S series, Ø 250, drawings of directions of air flow "V" and "A"



Without attachments



Core-end sleeve
< "V"
"A" >

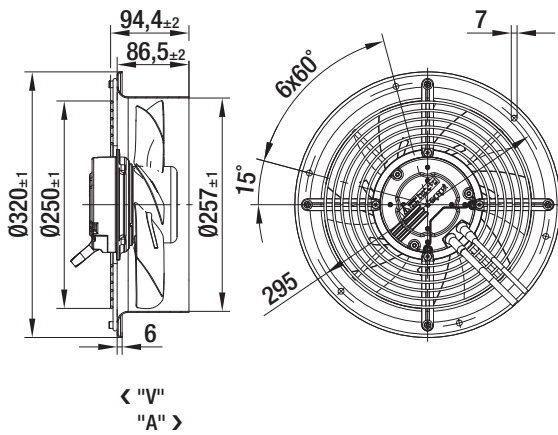
- (1) Depth of screw max. 8 mm (pilot hole for self-tapping thread)
- (2) Depth of screw max. 6 mm (pilot hole for self-tapping thread)
- (3) Depth of screw 8-10 mm

Type

A3G 250-AC71 -01	"V"
A3G 250-AD71 -01	"A"
A3G 250-AC54 -01	"V"
A3G 250-AD54 -01	"A"



With full round nozzle



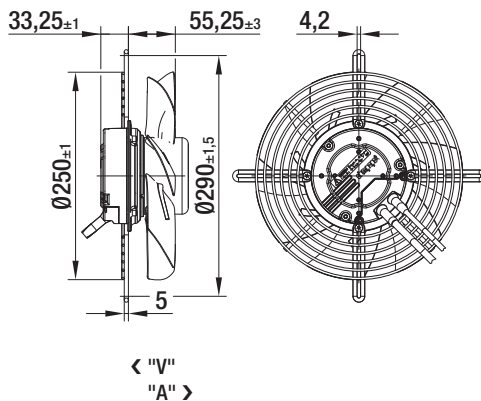
< "V"
"A" >

Type

W3G 250-CC71 -01	"V"
W3G 250-CD71 -01	"A"
W3G 250-CC54 -01	"V"
W3G 250-CD54 -01	"A"



With guard grille for full nozzle



< "V"
"A" >

Type

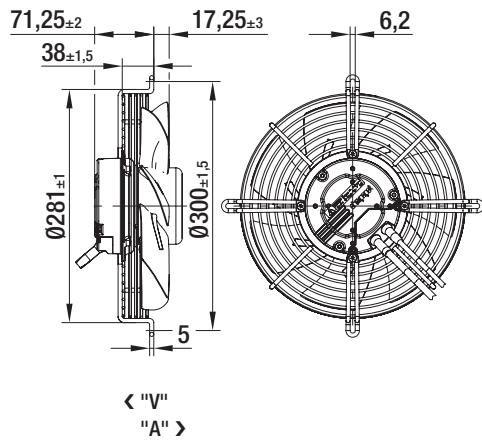
S3G 250-BC71 -01	"V"
S3G 250-BD71 -01	"A"
S3G 250-BC54 -01	"V"
S3G 250-BD54 -01	"A"



With guard grille for short nozzle

Type

S3G 250-AC71 -01	"V"
S3G 250-AD71 -01	"A"
S3G 250-AC54 -01	"V"
S3G 250-AD54 -01	"A"



Mouser Electronics

Authorized Distributor

Click to View Pricing, Inventory, Delivery & Lifecycle Information:

[ebm-papst:](#)

[A3G250-AD71-01](#)