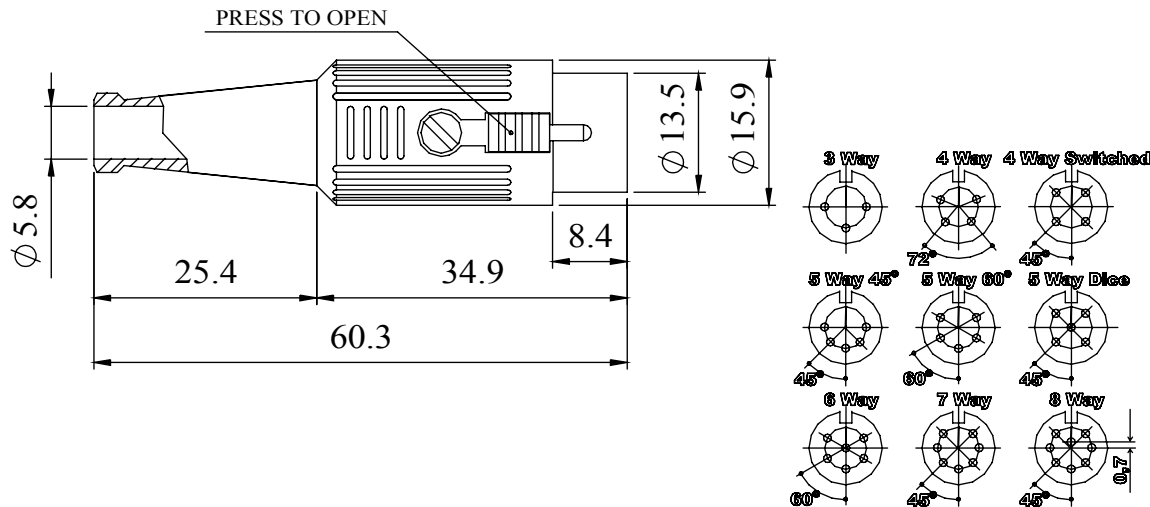


A fully screened robust range of DIN connectors for use in instrumentation and audio applications. Available in two finishes; bright nickel and non-reflective electrically conductive matte black. Robust construction incorporating cable grip and strain relief.

Dimensions



Materials	
Housing	Zinc Alloy
	Sprayed with Black Conductive Paint
Moulding	Nylon
Contacts	Brass Silver Plated
Cable Clamp	Mild steel Zinc Plated
Grommet	Black P.V.C
Electrical	
Rated Voltage	34 V a.c. or d.c.
Current Rating	2.A
Test Voltage	500 V r.m.s.
Insulation Resistance	103 MΩ min at 100 V d.c
Contact Resistance	10 mΩ max
Capacitance (mated)	3pF
Climatic	
Climatic category	25/070/21
Temperature Range	-25°C to +70°C
Damp heat, steady state	21 days

Type	Deltron No
3 Way	591-0300
4 Way	591-0400
4 Way Switched	591-0410
5 Way 45°	591-0500
5 Way 60°	591-0510
5 Way Dice	591-0520
6 Way	591-0600
7 Way	591-0700
8 Way	591-0800

Tel No. +44(0)1724 273200 Website www.dem-uk.com

PROPRIETARY AND CONFIDENTIAL

THE INFORMATION CONTAINED IN THIS DRAWING IS THE SOLE PROPERTY OF ALPHA 3 MANUFACTURING. ANY REPRODUCTION IN PART OR AS A WHOLE WITHOUT THE WRITTEN PERMISSION OF ALPHA 3 MANUFACTURING IS PROHIBITED.



DEM Manufacturing, Deltron Emcon House
Hargreaves Way, Sawcliffe Ind. Park,
Scunthorpe, North Lincolnshire, DN15 8RF, UK

UNLESS OTHERWISE SPECIFIED:
DIMENSIONS ARE IN MILLIMETRES
LINEAR TOLERANCE:
NO DECIMAL PLACES ±0.5mm
1 DECIMAL PLACE ±0.25mm
2 DECIMAL PLACES ±0.125mm
ANGULAR TOLERANCE: ±1°

FINISH SCREENED DIN CONNECTOR
LOCKABLE PLUG
BLACK

IF IN DOUBT ASK
DO NOT SCALE DRAWING

MATERIAL SEE NOTE

DEBURR AND BREAK
SHARP EDGES

DRAWN BY
APPROVED BY

THIRD ANGLE PROJECTION



SPB
WC

SHEET 1 OF 1

SCALE 1:1
A4

TITLE GENERAL SPECIFICATION
FOR
591 SERIES

DRAWING NO. 591 SERIES

ISSUE **06**
Release



Mouser Electronics

Authorized Distributor

Click to View Pricing, Inventory, Delivery & Lifecycle Information:

[Deltron:](#)

[591-0300](#) [591-0500](#) [591-0510](#) [591-0400](#)