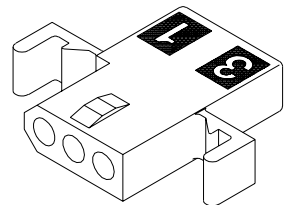
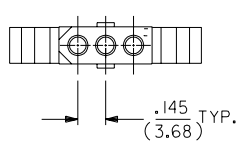
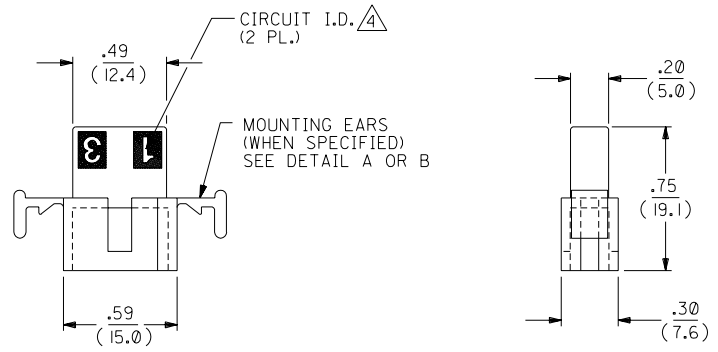
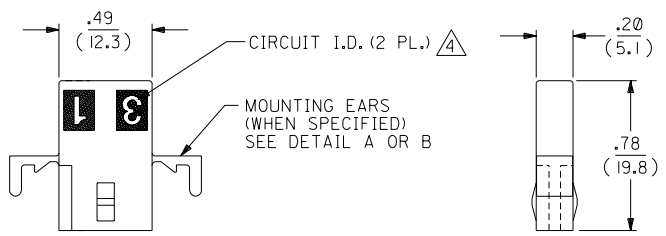
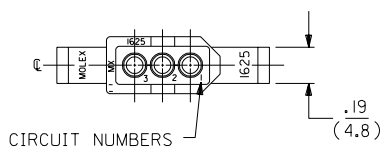
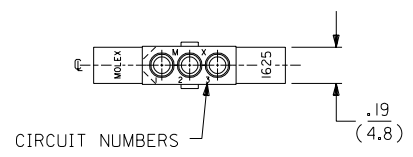
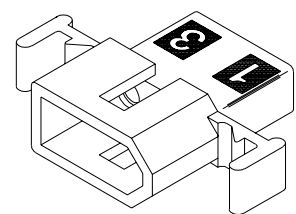
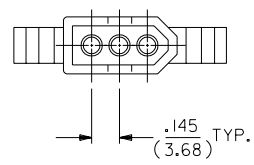


RECEPTACLE

PLUG



RECEPTACLE HOUSING
SHOWN WITH STANDARD EARS



PLUG HOUSING
SHOWN WITH STANDARD EARS

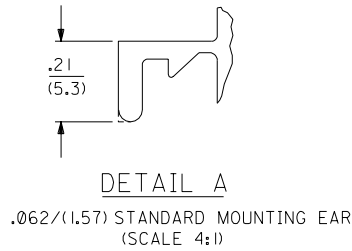
N	OBsolete P/N LCR2003-1545 AELHAG, 03/1/15
M	OBsolete P/N LCR2002-0270 COMERCI 01/9/26
L	REMOVED -3R1-B & -3P-B LCR1999-0343 WANG 98-12-08
K	Obs. -3PBK, ADD -3P4BK ECR U6 0716 CXC 12/18/95 RW
J2	X-REMOVE -3R4 ECR U2 0620 CXC 4/21/93 RW
J1	X-REMOVE -3P4 ECR U2 1705 CXC 11/23/92 RW
J	ADDED CKT. NO'S. PER ECR U11166 CXC 7/22/91 RW

2	N				
1	N	H			
MEG.	SH.	REV.	LTR.	REVISIONS	

DIMENSIONS SHOWN (METRIC) INCH UNLESS OTHERWISE SPECIFIED TOLERANCES: ANGULAR ± .008°		▽ = 0 ▽ = 0 REVISE ONLY ON CAD SYSTEM													
<table border="1"> <tr> <th></th> <th>INCH</th> <th>METRIC</th> </tr> <tr> <td>3 PLACE</td> <td>± .010</td> <td>---</td> </tr> <tr> <td>2 PLACE</td> <td>± .014</td> <td>± 0.25</td> </tr> <tr> <td>1 PLACE</td> <td>---</td> <td>± 0.35</td> </tr> </table>			INCH	METRIC	3 PLACE	± .010	---	2 PLACE	± .014	± 0.25	1 PLACE	---	± 0.35	TITLE .062/(1.57) HOUSINGS PLUG & RECEPTACLE 3 CIRCUIT, .145/(3.68)	
	INCH	METRIC													
3 PLACE	± .010	---													
2 PLACE	± .014	± 0.25													
1 PLACE	---	± 0.35													
DRAFT WHERE APPLICABLE MUST REMAIN WITHIN DIMENSIONS		DATE MOLEX INCORPORATED SHEET NO. 1 of 2 1/26/89 U.S.A.													
DRWG. BY KBW CHK'D. BY RW APP'D. BY RAS SCALE 2: 1		PART NO. SD-1625-3* DRWG. NO. SEE CHART													
FILE NAME SD16253X1		THIS DRAWING CONTAINS INFORMATION THAT IS PROPRIETARY TO MOLEX INC. AND SHOULD NOT BE USED WITHOUT WRITTEN PERMISSION.													

PLUG		OBSOLETE
PART NO.	ENG. NO.	
03-06-2031	1625-3P	
03-06-2032	1625-3P1	
03-06-2034	1625-3P4BK	
03-06-7032	1625-3P1BK	
03-06-2033	1625-3P4	

RECEPTACLE		OBSOLETE
PART NO.	ENG. NO.	
03-06-1033	1625-3R2	
03-06-1031	1625-3R	
03-06-1032	1625-3R1	
03-06-6031	1625-3RBK	
03-06-6032	1625-3R1BK	
03-06-1034	1625-3R3	
03-06-1038	1625-3R4	



LEGEND:

1625-3****

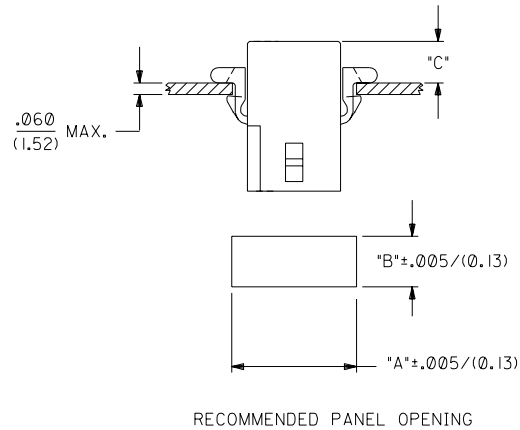
CIRCUIT SIZE

P = PLUG
R = RECEPTACLE

BLANK = WITH STANDARD EARS
1 = WITHOUT EARS
2 = WITHOUT EARS, WITHOUT DETENTS
3 = WITH STD. EARS, WITHOUT DETENTS
4 = WITH PREBENT EARS

COLOR:

BLANK = NATURAL COLOR
AM = AMBER BK = BLACK BU = BLUE
BN = BROWN GY = GRAY GN = GREEN
OR = ORANGE RD = RED YW = YELLOW

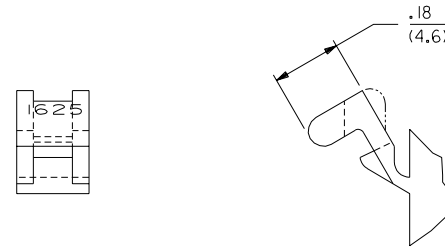


HOUSING	DIM. "A"	DIM. "B"	"C" PREBENT EAR	"C" STANDARD EAR
PLUG	.754/(19.15)	.318/(8.08)	.19/(4.8)	.18/(4.6)
RECEPT.	.650/(16.51)	.265/(6.73)	.21/(5.3)	.20/(5.1)

NOTES:

1. MOLEX PRODUCT SPEC 02-06 APPLIES.
2. ACCEPTS MOLEX .062 SERIES TERMINALS.
3. MATERIAL:
NYLON TYPE 6/6, 94V-2

4. CIRCUIT I.D. NUMBERS ON HOUSING APPEAR ON PARTS FROM TOOLS BUILT AFTER 7/22/91.



DRWG. BY	CHK'D. BY	SCALE	DATE	REV.	DESCRIPTION
KBW	RW	2:1			
RAS					

DIMENSIONS SHOWN (METRIC) INCH
UNLESS OTHERWISE SPECIFIED
TOLERANCES: ANGULAR ± DMS

PLACE	INCH	METRIC
3 PLACE	± .010	---
2 PLACE	± .014	± 0.25
1 PLACE	---	± 0.35

DRAFT WHERE APPLICABLE MUST REMAIN WITHIN DIMENSIONS

SEE CHART

SD-1625-3*

THIS DRAWING CONTAINS INFORMATION THAT IS PROPRIETARY TO MOLEX INC. AND SHOULD NOT BE USED WITHOUT WRITTEN PERMISSION.