

AZ955

SUBMINIATURE PC BOARD RELAY

FEATURES

- Subminiature size for high density packaging
- DIL pitch terminals
- Epoxy sealed for automatic wave soldering
- High sensitivity: 150 mW nominal with 84 mW pickup
- Meets FCC Part 68.302 1500 V lightning surge
- Meets FCC Part 68.304 1000 V dielectric
- UL / CUR file E43203



CONTACTS

| | |
|-------------------------------|---|
| Arrangement | SPDT (1 Form C) Bifurcated crossbar contacts |
| Ratings Light Duty | Resistive load: Max. switched power: 30 W or 60 VA Max. switched current: 1 A Max. switched voltage: 60 VDC or 125 VAC UL Rating: 1 A at 30 VDC 0.3 A at 60 VDC 0.5 A at 125 VAC |
| Material | Silver nickel, gold clad |
| Resistance | < 100 milliohms initially |

COIL

| | |
|--|---|
| Power At Pickup Voltage (typical) | Standard coil: 113 mW Sensitive coil: 84 mW |
| Max. Continuous Dissipation | .5 W at 20°C (68°F) ambient |
| Temperature Rise | Standard: 33°C (59°F) at nominal coil voltage Sensitive: 25°C (45°F) at nominal coil voltage |
| Temperature | Max. 105°C (221°F) |

NOTES

1. All values at 20°C (68°F).
2. Relay may pull in with less than "Must Operate" value.
3. Other coil resistances and sensitivities available upon request.
4. Specifications subject to change without notice.

GENERAL DATA

| | |
|--|--|
| Life Expectancy Mechanical Electrical | Minimum operations 10 million operations 1 x 10 ⁵ at 0.5A 120 VAC Res. |
| Operate Time (typical) | Standard: 3 ms at nominal coil voltage Sensitive: 5 ms at nominal coil voltage |
| Release Time (typical) | 1 ms at nominal coil voltage (with no coil suppression) |
| Capacitance | Coil to contact: 3.0 pF Contact to contact: 3.0 pF |
| Bounce (typical) | At 10 mA contact current 2 ms at operate 8 ms at release |
| Dielectric Strength (at sea level for 1 min.) | 1250 Vrms coil to contact 500 Vrms between open contacts Meets FCC Part 68.302 1500 V lightning surge Meets FCC Part 68.304 1000 V dielectric |
| Insulation Resistance | 100 megohms min. at 20°C, 500 VDC, 50% RH |
| Dropout | Greater than 10% of nominal coil voltage |
| Ambient Temperature Operating Storage | At nominal coil voltage Standard: -40°C (-40°F) to 70°C (158°F) Sensitive: -40°C (-40°F) to 80°C (176°F) Both: -40°C (-40°F) to 105°C (221°F) |
| Vibration | 0.039" DA at 10–55 Hz |
| Shock | 10 g |
| Enclosure | P.B.T. polyester |
| Terminals | Tinned copper alloy |
| Max. Solder Temp. | 270°C (518°F) |
| Max. Solder Time | 5 seconds |
| Max. Immersion Time | 30 seconds |
| Weight | 1.8 grams |



AMERICAN ZETTLER, INC.

www.azettler.com

75 COLUMBIA • ALISO VIEJO, CA 92656 • PHONE: (949) 831-5000 • FAX: (949) 831-8642 • E-MAIL: SALES@AZETTLER.COM

1/23/06W

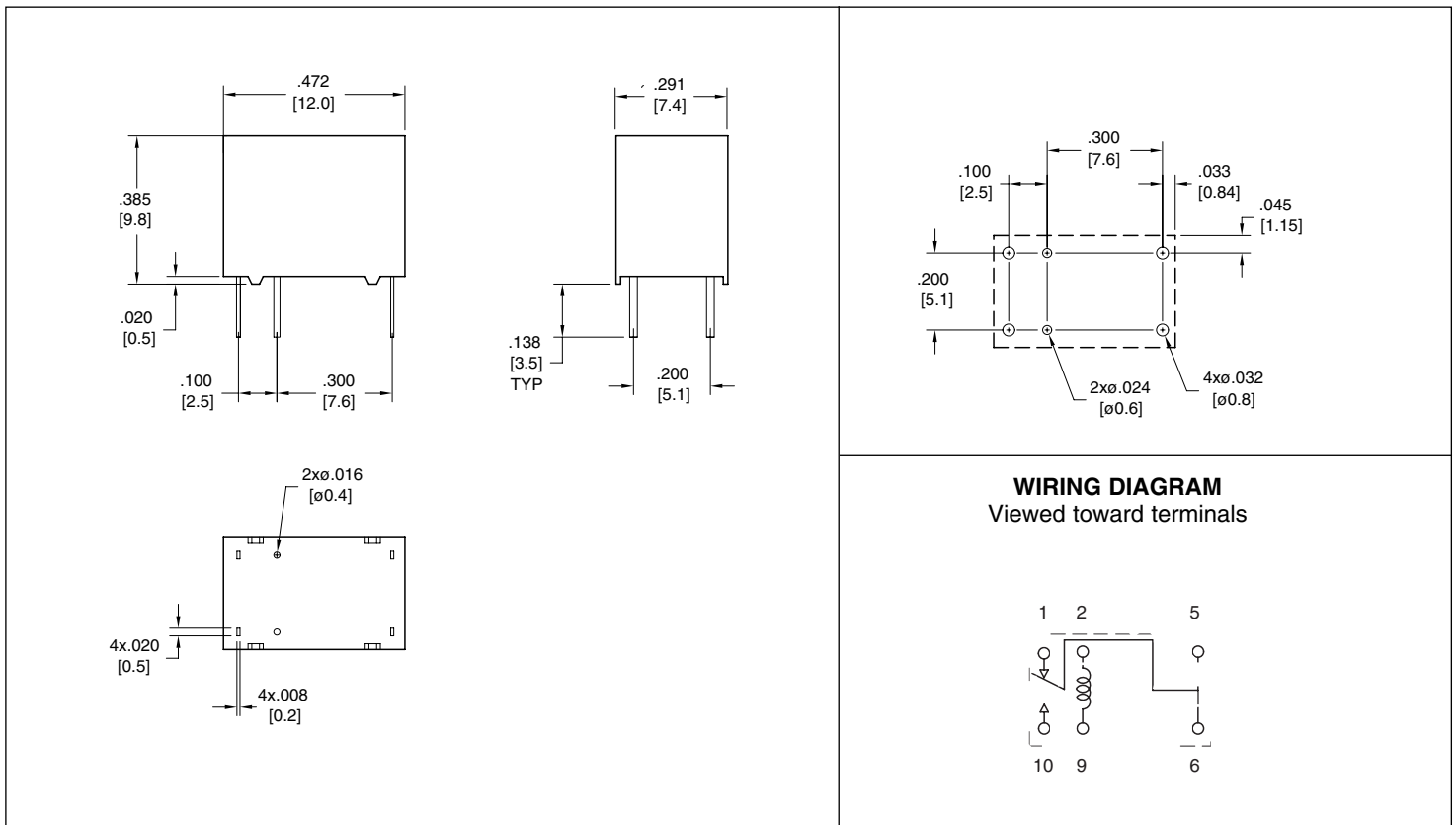
AZ955

RELAY ORDERING DATA

| COIL SPECIFICATIONS: STANDARD COIL | | | | |
|------------------------------------|-------------------|---------------------|----------------------------|----------------|
| Nominal Coil VDC | Must. Operate VDC | Max. Continuous VDC | Coil Resistance $\pm 10\%$ | ORDER NUMBER |
| 1.5 | 1.1 | 2.4 | 11.3 | AZ955-1C-1.5DE |
| 3 | 2.3 | 4.7 | 45.0 | AZ955-1C-3DE |
| 5 | 3.8 | 7.9 | 125 | AZ955-1C-5DE |
| 6 | 4.5 | 9.5 | 180 | AZ955-1C-6DE |
| 9 | 6.8 | 14.2 | 405 | AZ955-1C-9DE |
| 12 | 9.0 | 19.0 | 720 | AZ955-1C-12DE |
| 24 | 18.0 | 37.9 | 2880 | AZ955-1C-24DE |

| COIL SPECIFICATIONS: SENSITIVE COIL | | | | |
|-------------------------------------|-------------------|---------------------|----------------------------|-----------------|
| Nominal Coil VDC | Must. Operate VDC | Max. Continuous VDC | Coil Resistance $\pm 10\%$ | ORDER NUMBER |
| 1.5 | 1.1 | 2.7 | 15.0 | AZ955-1C-1.5DSE |
| 3 | 2.3 | 5.5 | 60.0 | AZ955-1C-3DSE |
| 5 | 3.8 | 9.1 | 167 | AZ955-1C-5DSE |
| 6 | 4.5 | 11.0 | 240 | AZ955-1C-6DSE |
| 9 | 6.8 | 16.4 | 540 | AZ955-1C-9DSE |
| 12 | 9.0 | 21.9 | 960 | AZ955-1C-12DSE |
| 24 | 18.0 | 43.8 | 3840 | AZ955-1C-24DSE |

MECHANICAL DATA



Dimensions in inches with metric equivalents in parentheses. Tolerance: $\pm .010''$



AMERICAN ZETTLER, INC.

www.azettler.com

75 COLUMBIA • ALISO VIEJO, CA 92656 • PHONE: (949) 831-5000 • FAX: (949) 831-8642 • E-MAIL: SALES@AZETTLER.COM

1/23/06W