

Presence Sensing Safety Devices
Safety Light Curtain Interfaces
 120V AC Power Supply and Safety Relay



Description

The Allen-Bradley Guardmaster 120V AC interface box consists of a NEMA 4 rated lockable metal enclosure, a DIN mount 3amp, 24V DC power supply and either a single or dual 22.5mm safety relay(s).

The single safety relay module provides 3 N.O. safety and one N.C. auxiliary (nonsafety) “potential free” relay outputs. The dual safety relay configuration allows for two pairs of safety light curtains to independently control one or two machines.

The safety relay(s) can be configured for manual reset or automatic reset. The resetting function can be through the key switch mounted on the front cover of the interface box.

Pre punched holes located on the bottom of the enclosure allow for easy wiring of the system.

Specifications

Input Power	120/230V AC
Power Consumption	2W/4W
Inputs	1 N.C. or 2 N.C. or 2 PNP (light curtain)
Maximum Input Resistance	110 ohms
Reset	Automatic/Manual
Outputs	3 N. O. Safety 1 N.C. Auxiliary nonsafety
Output Rating	N.O. B300, AC15, 5A/250V AC N300, DC13, 3A/24V DC
Min. Switched Current/Voltage	10mA/10V
Power ON Delay	1 second
Response Time	15ms
Relay Module Indication LEDs	K1 Green = Power Green = K1 Closed, if K1 alone is lit, check for short across reset button K2 Green = K2 Closed
Operating Temperature	-5°C to +55°C (+23° to +131°F)
Humidity	90% RH
Enclosure Protection	NEMA 4, IP65
Max. Conductor Size	1 x 2.5mm ² (14AWG) stranded 1 x 4mm ² (12AWG) solid
Weight	4886/5113g (10.75/11.25lbs)
Electrical Life	222V AC/4A/880VA cos 0 = 0.35 100,000 operations
Maximum Operating Frequency	1200 cycles/hour
Mechanical Life	2,000,000 operations
Vibration	0.35mm 10-55Hz
Shock	10g, 16ms, 100 shocks
Recovery Time	100ms

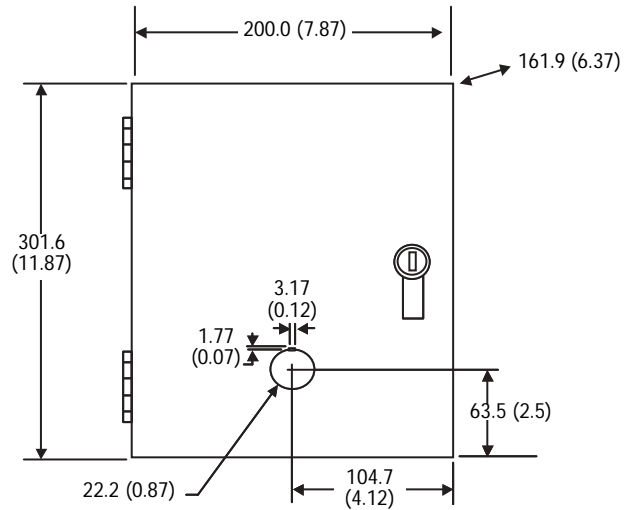
Presence Sensing Safety Devices
Safety Light Curtain Interfaces
 120V AC Power Supply and Safety Relay

Product Selection

Safety Outputs	Auxiliary Outputs	Power Supply	Catalogue Number
3 N.O.	1 N.C.	24V DC	440L-M8400
6 N.O.	2 N.C.		440L-M8500

Approximate Dimensions—mm (inches)

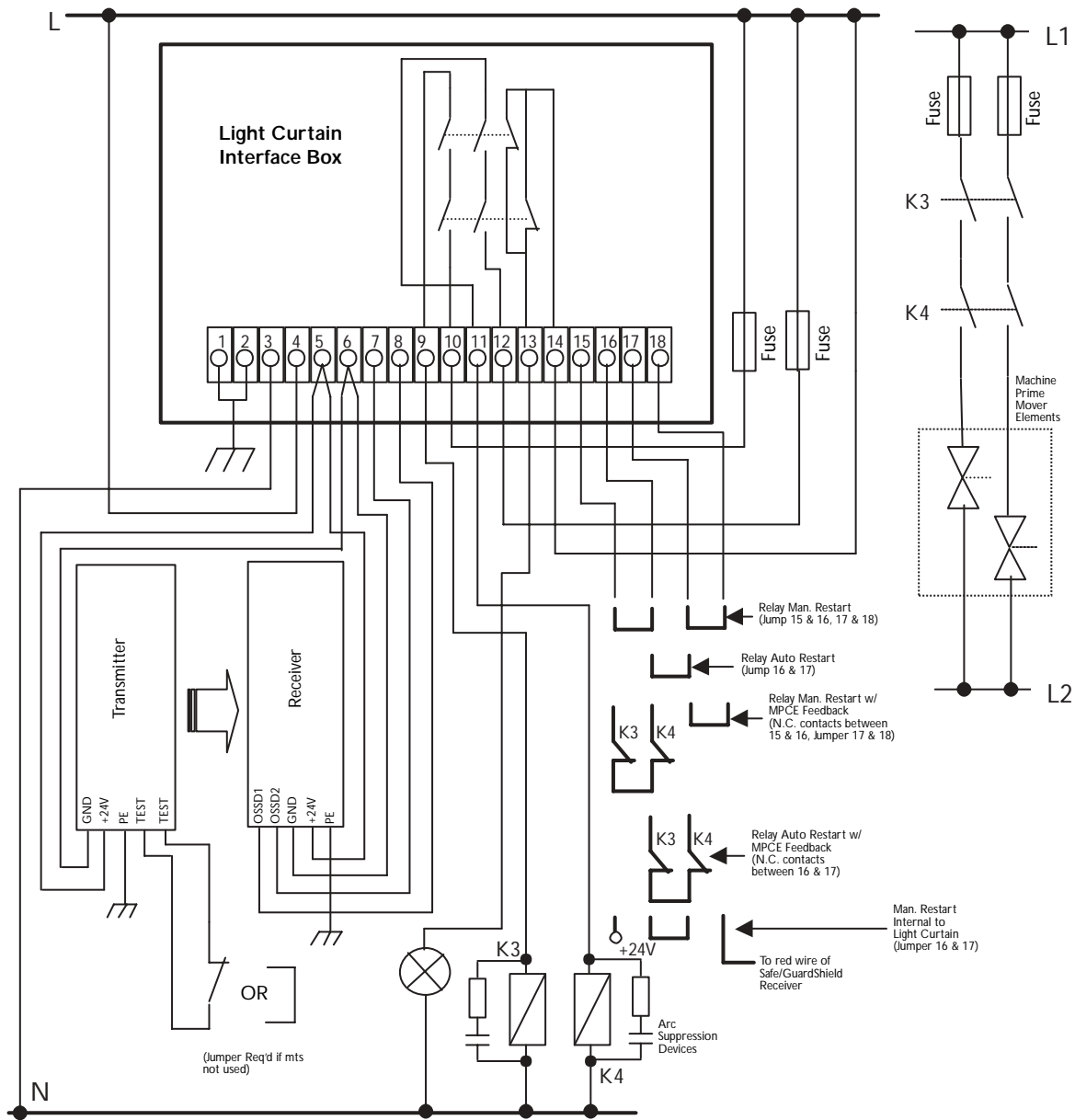
Dimensions are not intended to be used for installation purposes.



Presence Sensing Safety Devices
Safety Light Curtain Interfaces
 120V AC Power Supply and Safety Relay

Typical Wiring Diagram

M8400 Single Relay



Presence Sensing Safety Devices
Safety Light Curtain Interfaces
 120V AC Power Supply and Safety Relay

Typical Wiring Diagram
 M8500 Dual Relay

