

NOTES:

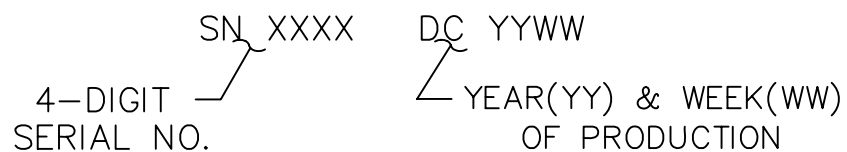
1.0 ELECTRICAL SPECIFICATIONS

- 1.1 FREQUENCY RANGE: DC TO 18.0 GHz
- 1.2 VSWR: 1.05 + .007 f (GHz) MAX.
- 1.3 POWER HANDLING: 2 WATTS AVG. DERATED TO 10% AT +125°C, 1.0 KILOWATT PEAK
- 1.4 OPERATING TEMP. RANGE: -55°C to +125°C
- 1.5 MAXIMUM WEIGHT: 3 Oz (85 GRAMS)

2.0 MARK UNIT AS SHOWN:

(REF: INK-09183-27-[17 or 18])

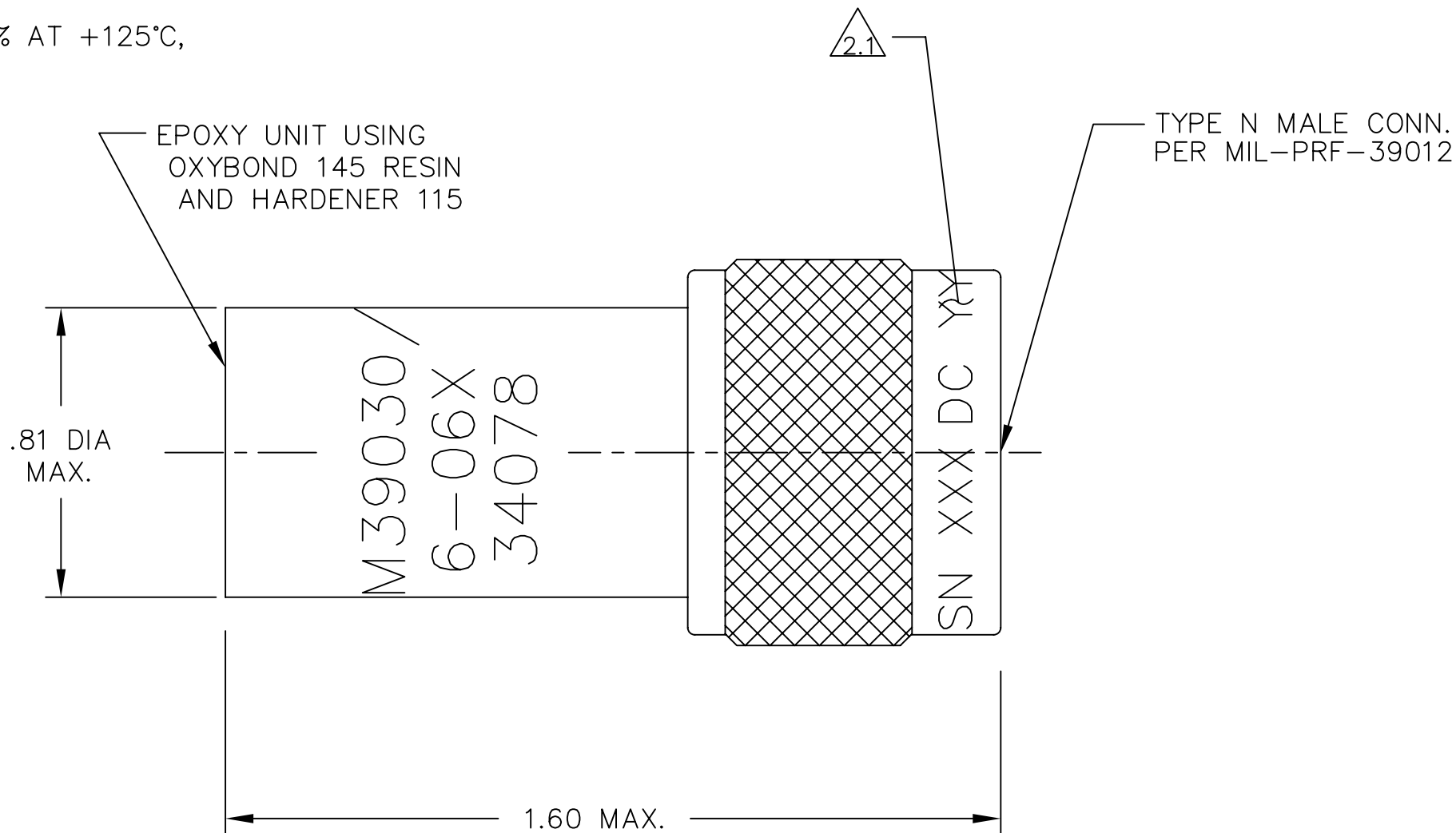
2.1 ENGRAVE SERIAL NUMBER AND DATE CODE ON COUPLING NUT AS SHOWN.



3.0 TESTING: TEST PER ATP-07840-60-02

4.0 THIS UNIT REQUIRES DUST CAP  
REFERENCE: CAP-06931-24-04-54

5.0 BAG DATA WITH UNIT



REV.	DESCRIPTION	DATE
-	RELEASED	9/25/91
A	ECN 11378	12/18/91
B	ECN 11839	5/22/92
C	ECN 13176	12/3/93
D	ECN 13500	4/8/94
E	ECN 13574	4/28/94
F	ECN 14803	10/20/95
G	ECN 16038	5/22/97
H	ECN 18601	6/20/02
J	ECN 20606	11/29/05

UNLESS OTHERWISE NOTED DIMENSIONS ARE IN INCHES AND TOLERANCES ARE:  3 PLACE DECIMALS ±.005 2 PLACE DECIMALS ±.02 FRACTIONS ±1/64 PARALLELITY: T.I.R. _____ FLATNESS: T.I.R. _____ CONCENTRICITY: T.I.R. _____ ANGLES AND PERPENDICULARITY: ±1'	FSCM NO. <b>34078</b>	<b>MIDWEST MICROWAVE</b>		
	NOTICE: The information contained in this drawing is proprietary and must not be used without the permission of Midwest Microwave		TITLE TERMINATION	
	DRAWN/DATE C.RICKARD 7/16/91	ENG./DATE G.KOZAK 9/25/91	DRAWING NUMBER M39030/6-06(N or S)	
	CHECKED/DATE A.BEATTY 10/1/91	APPROVED/DATE	SCALE: 3=1	SHEET 1 of 1