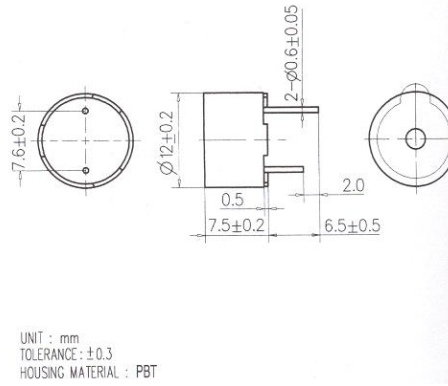
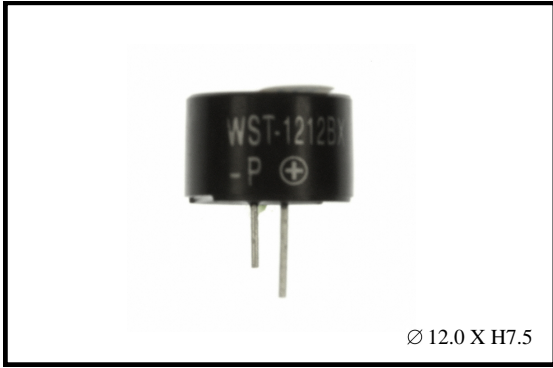


Product Data Sheet

Part No. WST-1212 BX Washable Type

(self drive circuit)

DIMENSIONS



Type	Unit	
Rated Voltage	(Vdc)	12
Operating Voltage	(Vdc)	9~15
Rated Current	(mA)	< 30
Sound Output at 10cm	(dB)	> 83
Resonance Frequency	(Hz)	2300±400
Response Time	(Ms)	< 25
Operating Temp	(C)	-20+70
Storage Temp	(C)	-25+80
Weight	(g)	2
Dimension	mm	12 x H7.5
*Value applying rated voltage (DC)		
*distance for measurement 10cm		
*WST-12XXBX: 3100 Hz		

CHARACTERISTICS

