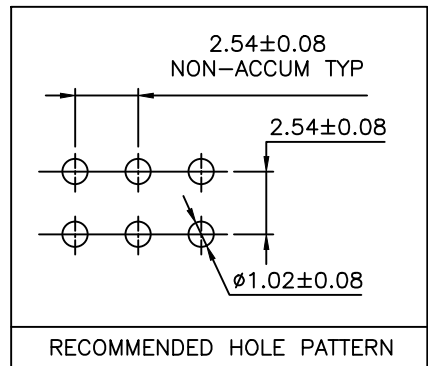
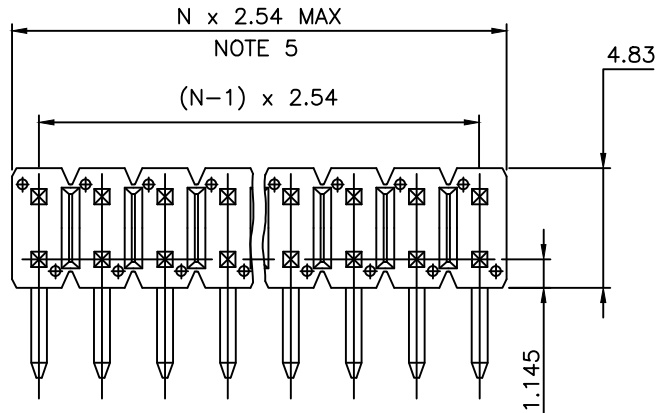


PRODUCT NUMBER

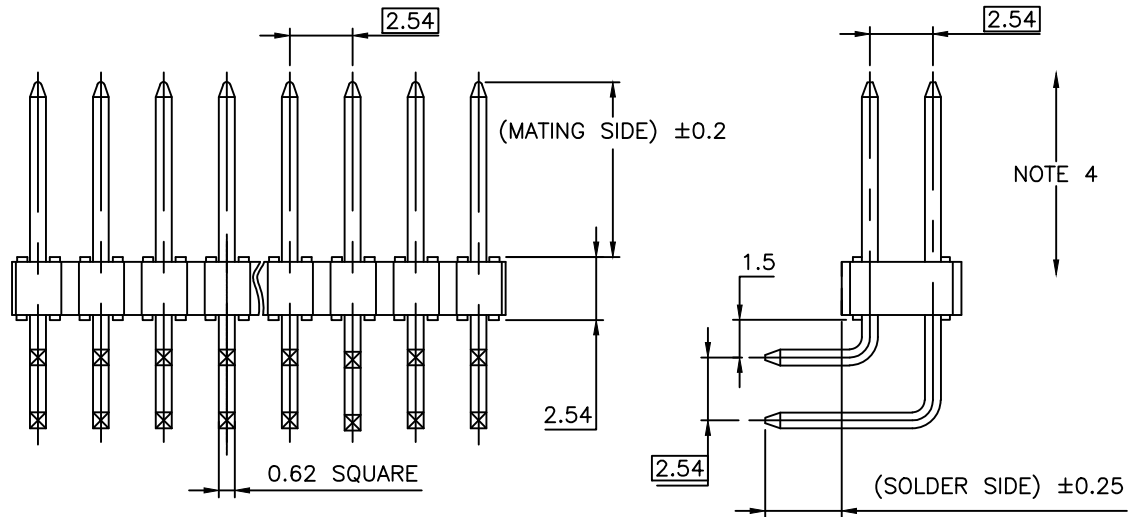
77317-YXX-XXLF

- RoHS COMPATIBLE
SEE NOTE 7
- TOTAL NB OF POSITIONS 04 TO 72
- PIN STYLE SEE SHEET 2
- PLATING SEE SHEET 2



NOTES:

1. HOUSING MAT'L : HIGH TEMPERATURE THERMOPLASTIC. UL94V-0 COLOR: BLACK
2. PIN MATERIAL : PHOSPHOR BRONZE
3. STANDARD PACKAGING IN POLYBAG
4. 9N MIN RETENTION IN EITHER DIRECTION
5. TO DETERMINE DIMENSIONS :
N = NUMBER OF POSITIONS PER ROW
EXAMPLE : 8 POS $N \times 2.54 = 20.32\text{mm}$
6. UNDERPLATING : $1.27\mu\text{m}$ Ni MIN
7. RoHS COMPATIBLE PRODUCT SPECIFICATIONS
 - a - PLATING:
 - "LF" MEANS THE PRODUCT IS LEAD-FREE, $2\mu\text{m}$ MINIMUM MATTE TIN OVER $1.27\mu\text{m}$ MINIMUM NICKEL UNDERPLATE.
 - b - MANUFACTURING PROCESS COMPATIBILITY
 - THE HOUSING WILL WITHSTAND EXPOSURE TO $260^\circ\text{C} \pm 5^\circ\text{C}$ SOLDER BATH TEMPERATURE FOR 5 SECONDS IN A WAVE SOLDER APPLICATION WITH A 1.6mm MIN THICK CIRCUIT BOARD.
 - c - LABELING:
 - MEETS PACKAGING SPECS AS PER GS-14-920
 - d - LEGAL STATEMENT: SEE GS-47-0004



| | | | | | | | | | |
|--------------------------|----------|--|----------|-------------------------------|----------|------------------|--|------------------------------------|--|
| mat'l. code SEE NOTES | | surface ISO 1302 <input checked="" type="checkbox"/> ISO 406 ISO 1101 | | tolerance ISO 406 ISO 1101 | | projection mm | | product family BERGSTIK | |
| ltr ecn no dr date | | tolerances unless otherwise specified | | angles linear | | scale 5:1 | | title UNSHR.HEADER RA DR TMT | |
| AH | B-18916 | LMU | 14.09.29 | | | | | dwg no 77317 | |
| AJ | B-19783 | AMA | 14.12.18 | | | | | sheet 1 of 2 size A3 | |
| AK | B-21242 | AMA | 15.06.25 | | | | | type CUSTOMER Drawing | |
| | | | dr | D.LE | 01.01.24 | | | | |
| | | | enr | JM.C | 01.01.24 | | | | |
| | | | chr | JM.C | 01.01.24 | | | | |
| | | | appd | JF.N | 01.01.24 | | | | |
| sheet | revision | AK | AG | | | | | | |
| index | sheet | 1 | 2 | | | | | | |

Copyright FCJ
 FCJconnect.com

PLATING

- 1 = 0.76µm GOLD/GXT ON CONTACT AREA, 2µm TIN MIN ON TAIL
- 4 = 2µm TIN MIN FULL PLATED
- 5 = 0.25µm GOLD/GXT ON CONTACT AREA, 2µm TIN MIN ON TAIL
- 8 = 0.38µm GOLD/GXT ON CONTACT AREA, 2µm TIN MIN ON TAIL
- G = 0.76µm FULL GXT
- S = 0.38µm FULL GXT
- 1.27µm NICKEL MIN UNDERLAYER FOR ALL PLATING VERSIONS

| PRODUCTS SPECIFICATIONS | | |
|-------------------------|--------|--------|
| PIN STYLE | MATING | SOLDER |
| 01 | 5.72 | 2.57 |
| 03 | 5.84 | 2.54 |
| 04 | 5.84 | 3.05 |
| 12 | 6.80 | 3.05 |
| 14 | 10.00 | 2.70 |
| 15 | 7.00 | 16.40 |
| 16 | 7.80 | 13.50 |
| 17 | 7.48 | 1.60 |
| 18 | 8.80 | 2.90 |
| 19 | 2.60 | 2.60 |
| 20 | N/A | |
| 21 | 10.89 | 3.05 |
| 22 | 3.51 | 3.51 |



Copyright FCJ

| | | | | | | | | | | |
|-------------|----------|------------|----------|---------------------------------------|--------|------------|--|------------------|--|------|
| mat'l. code | | surface | | tolerance | | projection | | product family | | |
| SEE NOTES | | ISO 1302 ✓ | | ISO 406 ISO 1101 | | | | BERGSTIK | | |
| ltr | ecn no | dr | date | tolerances unless otherwise specified | | | | title | | |
| AG | B-21242 | AMA | 15.06.25 | angles | linear | mm | | UNSHR.HEADER | | |
| | | | | | | scale 5:1 | | RA DR TMT | | |
| AB | F06-0263 | LMU | 06.10.27 | | | | | dwg no | | |
| AC | F08-0148 | RTR | 08.03.31 | dr | D.LE | | | sheet 2 of | | size |
| AD | F09-0212 | LMU | 09.11.03 | enr | JM.C | | | 77317 | | A3 |
| AE | F11-0320 | LMU | 12.01.25 | chr | JM.C | | | type | | |
| AF | B-18916 | LMU | 14.09.29 | appd | JF.N | | | CUSTOMER Drawing | | |
| sheet | revision | | | | | | | | | |
| index | sheet | | | | | | | | | |