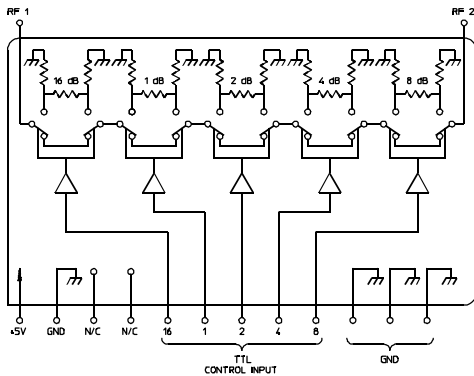


ADS-51V-1000

31 dB DIGITAL ATTENUATOR

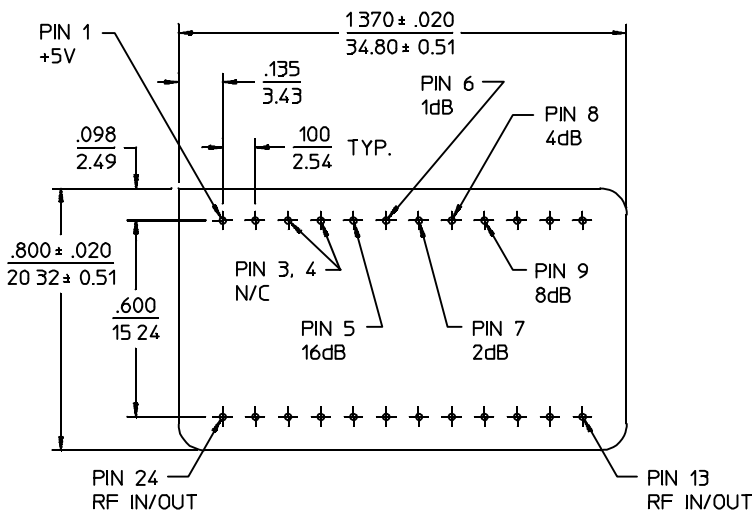
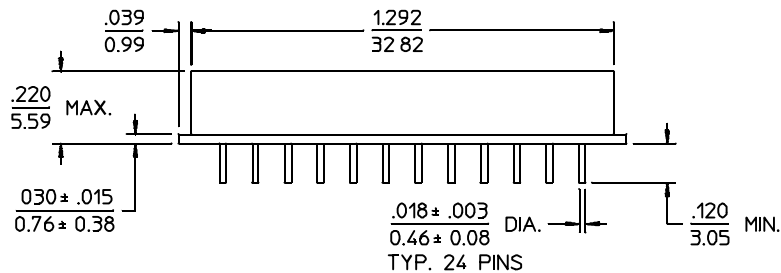
50 to 1500 MHz / 0 to 31 dB Attenuation / Monotonic / 5-Bit Direct TTL Drive / +5V Supply



V Package Outline - 24 pin Dual In Line

TRUTH TABLE					
Attenuation Setting, dB	Control Input				
	"6"	"7"	"8"	"9"	"5"
Reference	0	0	0	0	0
1	1	0	0	0	0
2	0	1	0	0	0
4	0	0	1	0	0
8	0	0	0	1	0
16	0	0	0	0	1

"1" = Logic High TTL
"0" = Logic Low TTL



- NOTES:
1. Tolerance on 3 place decimals $\pm .010(.25)$ except as noted.
 2. Dimensions in inches over millimeters.
 3. Lead dimensions apply only at body.
 4. All unmarked terminals are ground.

30Apr96

GENERAL SPECIFICATIONS

Frequency Range:	50 - 1500 MHz
Attenuation Range:	0 - 31 dB
Minimum Step Size:	1 dB
Attenuation Flatness:	± 0.5 dB/bit max. ± 1.0 dB max.
Attenuation Accuracy:	± 0.5 dB at f_0
Insertion Loss:	5 dB max.
Phase Variation:	$\pm 10^\circ$ typ. at f_0
VSWR:	1.7:1 max.
Impedance:	50 Ω nom.
Switching Delay Time:	2 μ s typ.
Switching Transients:	20 mV typ.
Bias Requirement:	+5 VDC @ 100 mA nom.
Input Intercept Point:	+32 dBm typ.
Power Input	0.25 W max.
Weight, nominal:	0.4 oz (11 g)
Operating Temperature:	-55° to +85°C

General Notes:

1. The ADS-51V-1000 is a 50 to 1,500 MHz constant impedance 5-bit digital attenuator designed to be driven directly from TTL logic. PIN diode switched attenuator pads are activated by Advanced Fact™ C-MOS, TTL compatible logic drivers, allowing high speed operation without need of a negative supply. Careful design of thick film resistive pads and detailed selection of suitable PIN diodes provide a wide bandwidth with minimal phase shift.
2. Screened versions with extended reliability components are available for applications requiring the highest reliability.