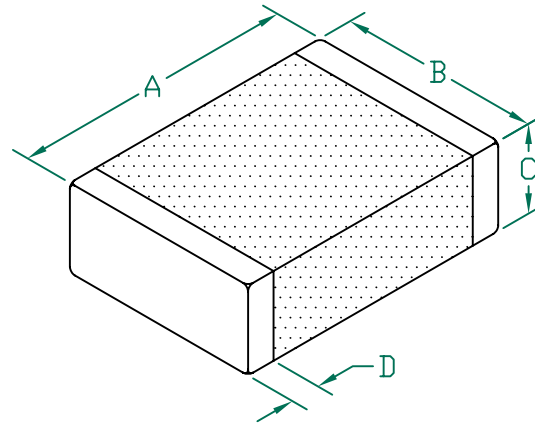


# HI1812T800R-10

**UNCONTROLLED DOCUMENT**

PHYSICAL DIMENSIONS:

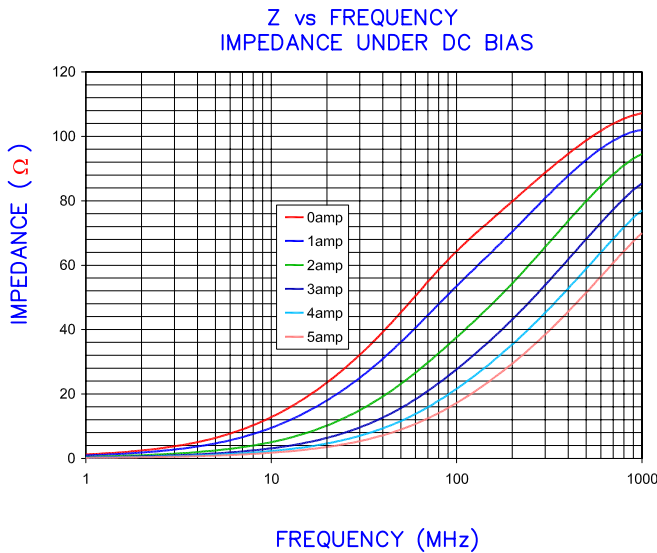
A	4.50 [.177]	+ 0.25 [.010]
B	3.20 [.126]	+ 0.25 [.010]
C	1.40 [.055]	+ 0.25 [.010]
D	0.65 [.026]	+ 0.45 [.018]



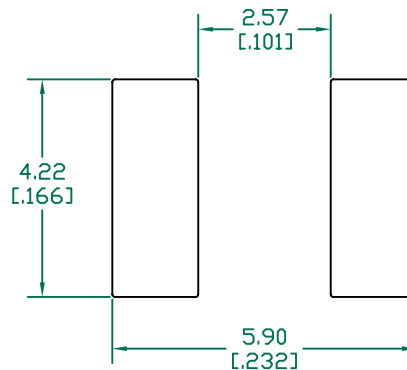
ELECTRICAL CHARACTERISTICS:

Z @ 100MHz (Ω)	DCR (Ω)	Rated Current
Nominal	80	
Minimum	60	
Maximum	100	6000 mA

- NOTES: UNLESS OTHERWISE SPECIFIED
1. TAPED AND REELED per CURRENT EIA SPECIFICATIONS 13" REELS, 2500 PCS/REEL.
  2. TERMINATION FINISH IS 100% TIN.
  3. COMPONENTS SHOULD BE ADEQUATELY PREHEATED BEFORE SOLDERING.

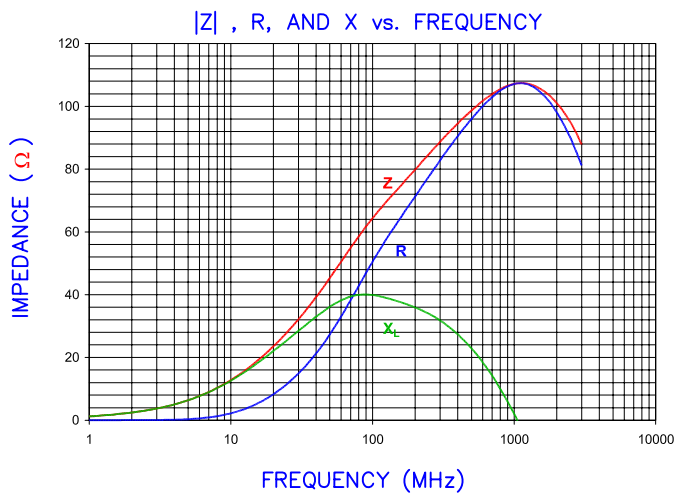
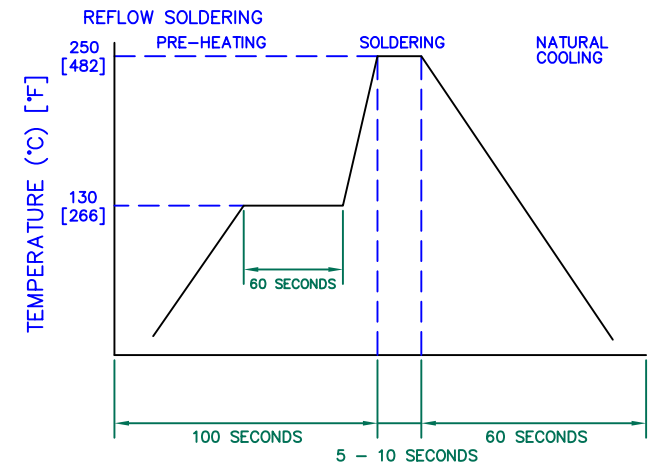


LAND PATTERNS FOR REFLOW SOLDERING



(For wave soldering, add 0.762 [.030] to this dimension)

RECOMMENDED SOLDERING CONDITIONS



DIMENSIONS ARE IN mm [INCHES].				This print is the property of Laird Tech. and is loaned in confidence subject to return upon request and with the understanding that no copies shall be made without the written consent of Laird Tech. All rights to design or invention are reserved.				<b>Laird TECHNOLOGIES</b>	
				PROJECT/PART NUMBER:	REV	PART TYPE:	DRAWN BY:		
				HI1812T800R-10	C	CO-FIRE	TMB		
C	UPDATE D DIMENSION	03/12/10	JUN	DATE:	04/02/04	SCALE:	NTS	SHEET:	2 of 2
B	UPDATE COMPANY LOGO ADD ROHS	01/24/08	JRK	GAD #	HI1812T800R-10-C	TOOL #	-		
A	ORIGINAL DRAFT	04/02/04	TMB						
REV	DESCRIPTION	DATE	INT						