

Series HF601 Flip Type ZIF Connector, 90°, SMT

Specifications

Insulation Resistance: 500MΩ min.
 Contact Resistance: 50mΩ max.
 Withstanding Voltage: 500V AC for 1 minute
 Voltage Rating: 50V AC
 Current Rating: 0.5A
 Operating Temp. Range: -40°C to +85°C
 Mating Cycles: 20 times

Materials and Finish

Insulator: LCP, Actuator: PA9T
 Contact: Copper Alloy, Au over Ni

Features

- Flip type ZIF connector
- Super low profile, height = 2mm
- FFC/FPC with and without positioning part can be used
- Packaging tape and reel (1,200 pcs. per reel)



Part Number (Details)

HF601 - ** - 02

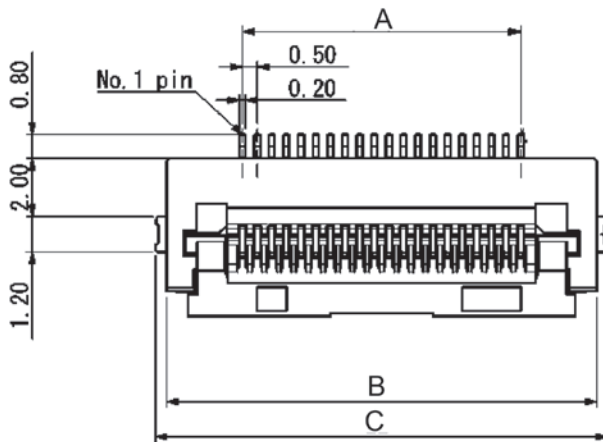
Series No.

Pin Counts
 (10, *20, 26, 30, 40
 45, 50 and 60)

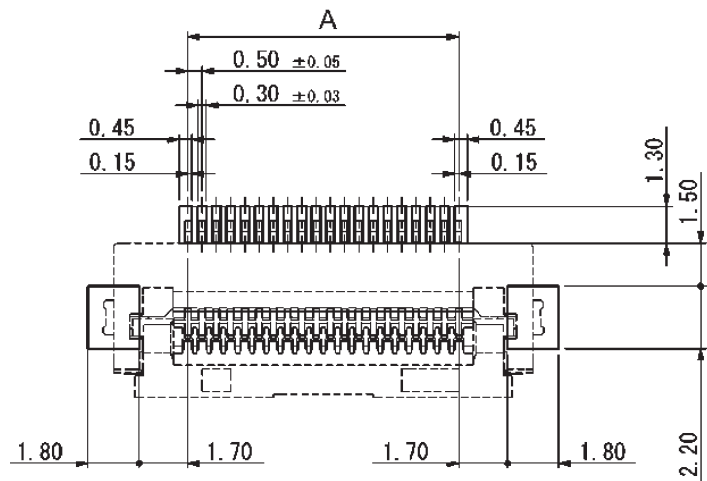
Design No.

*Available on request

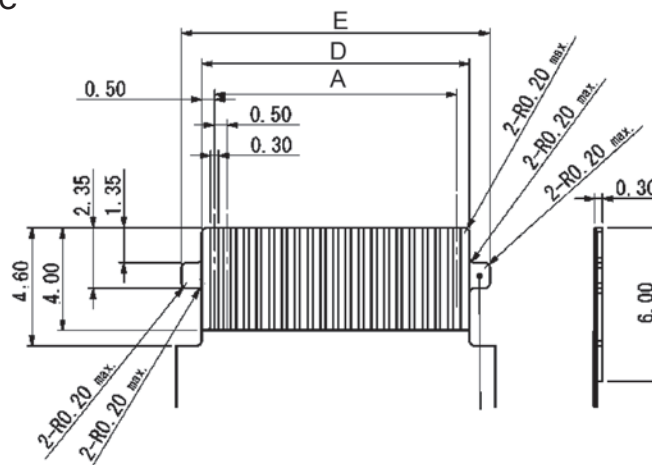
Outline Dimensions for 90° Connector



Recommended PCB Layout



Recommended FFC/FPC



Part Number	Pin Count	A	B	C	D	E
HF601-10-02	10	4.50	9.70	10.50	5.50	7.10
HF601-20-02	20	9.50	14.70	15.50	10.50	12.10
HF601-26-02	26	12.50	17.70	18.50	13.50	15.10
HF601-30-02	30	14.50	19.70	20.50	15.50	17.10
HF601-40-02	40	19.50	24.70	25.50	20.50	22.10
HF601-45-02	45	22.00	27.20	28.00	23.00	24.60
HF601-50-02	50	24.50	29.70	30.50	25.50	27.10
HF601-60-02	60	29.50	34.70	35.50	30.50	32.10

Non-ZIF Connectors for High Speed Cable

Specifications

Insulation Resistance: 1,00MΩ
 Conductor Resistance: 2.2 Ω / meter
 Withstanding Voltage: 500V AC rms for 1 minute
 Voltage Rating: 60V (UL20706)
 Operating Temp. Range: -40°C to +105°C (UL20706)

Materials and Finish

Conductor: AU plated Cu
 Insulation Tape: Polyester, white
 Supporting Tape: Polyester, blue

Features

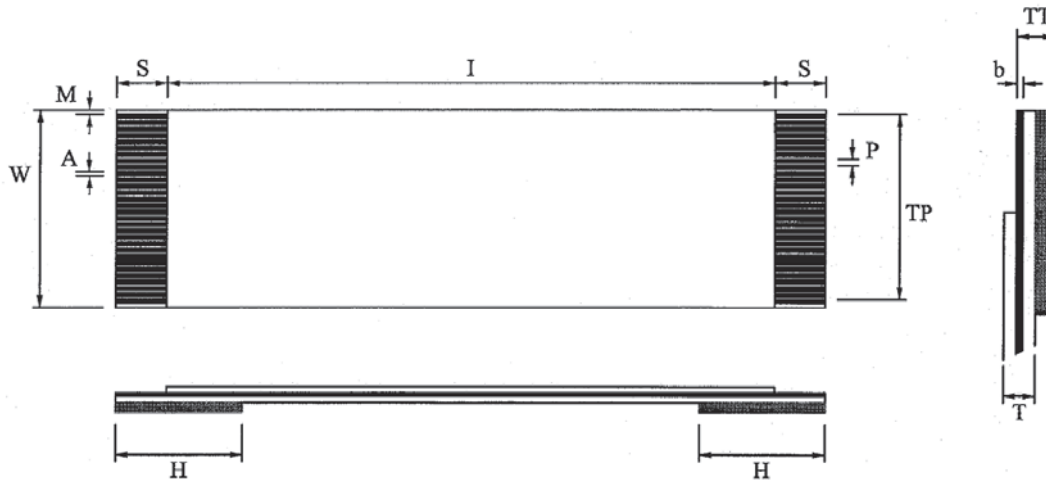
- Versions with positioning part available on request
- Minimum order quantity may occur

Part Number (Details)

HF601 - F5 - ** - *** - * * - F - *

Series No.	
Pitch: 0.5mm	
Pin Counts	10, 20, 26, 30, 40, 45, 50, and 60
Insulation Length in mm	Total length – 8 mm (2 x stripped length)
Direction of Supporting Tape	A = same B = opposite
0 = No ears	
1 = Ear one side	
2 = Ears both sides	
Plating: F = Au	
UL-Number	V = UL20706/20861

Outline Dimensions



Item	Description	Specification
N	Number of Conductors	10, 20, 26, 30, 40, 45, 50, 60
P	Pitch in mm	0.5mm
TP	Total Pitch	P x (n-1)
W	Stiffener Width	P x (n + 1)
T	Thickness of FFC	0.15mm
M	Margin Width	0.35mm
I	Insulation length	Total length divided by 2 x S
S	Stripped Length	4.0mm
TT	Terminal Thickness	0.3mm
H	Supporting tape length	6.0mm
A	Conductor width	0.3 +0.05mm
b	Conductor thickness	0.035



Mouser Electronics

Authorized Distributor

Click to View Pricing, Inventory, Delivery & Lifecycle Information:

Yamaichi Electronics:

[HF601-10-02](#) [HF601-20-02](#) [HF601-30-02](#) [HF601-30-12](#) [HF601-40-02](#) [HF601-40-12](#) [HF601-45-02](#) [HF601-45-12](#)
[HF601-50-02](#) [HF601-50-12](#) [HF601-60-02](#)