

Amphenol®



VORTEX GT Power Connectors for Wind Energy Technologies

Amphenol®, which has been manufacturing connectors for more than 75 years, offers an extensive array of connector lines including rectangular, circular, fiber optic, EMI/EMP filter and a variety of special application connectors.

With the introduction of its patented RADSOK® technology, Amphenol® Industrial Operations (AIO) revolutionized the connector industry. RADSOK'S twisted grid configuration allows for 50% more current to pass through the same size pin, while providing increased reliability, ampacity and cycle durability as well as lower insertion force, T-rise and voltage drop.

Features:

- 1/4 Turn Mating
- Crimp Termination
- Silver Plated Contacts
- Finger Proof
- Current: 800Amp
- Voltage: DC 470/600V
- Operation Temperature: -20~120F
- Flange Mount
- Life cycles: >= 2000

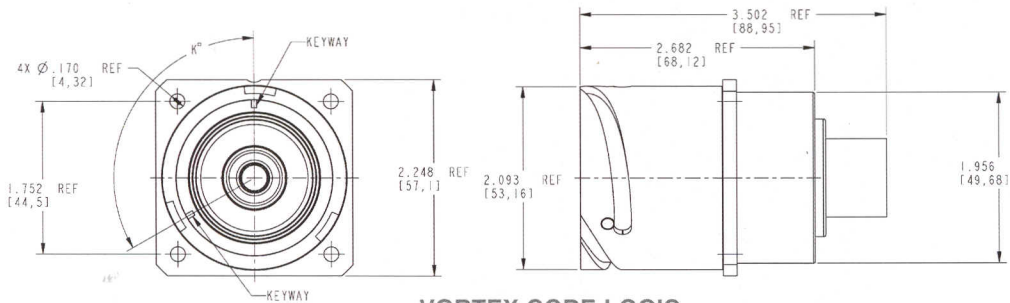
The Vortex GT is a GT shell type connector with Reverse Bayonet Coupling with RADSOK technology. Designed specifically for delivering high power from source to load. The plug contact is 18mm crimp type RADSOK socket combined with 8mm RADSOK pin. Receptacle contact is 18mm screw type RADSOK pin combined with 8mm RADSOK socket. The RADSOK'S strongest benefit is its very low milli-volt drop and minimized temperature rise when transmitting high current. The 18mm & 8mm RADSOK sockets are used for high amperage application such as electrical generators, fuel cells, load banks, and charging systems.

Benefits:

- Quick positive coupling
- Audible, tactile and visual indication of full coupling
- Environmental Applications
- High Amperage Applications
- Easily Adaptable
- Better Conductivity where needed

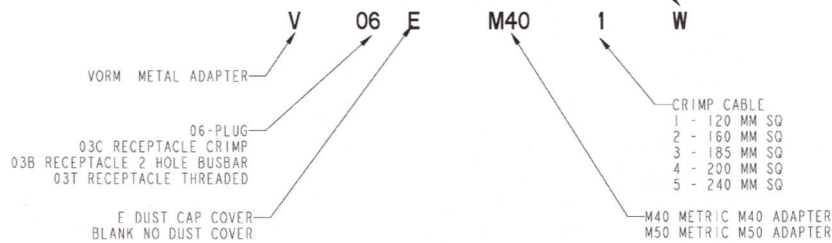
CONNECTOR STYLES:

RECEPTACLE

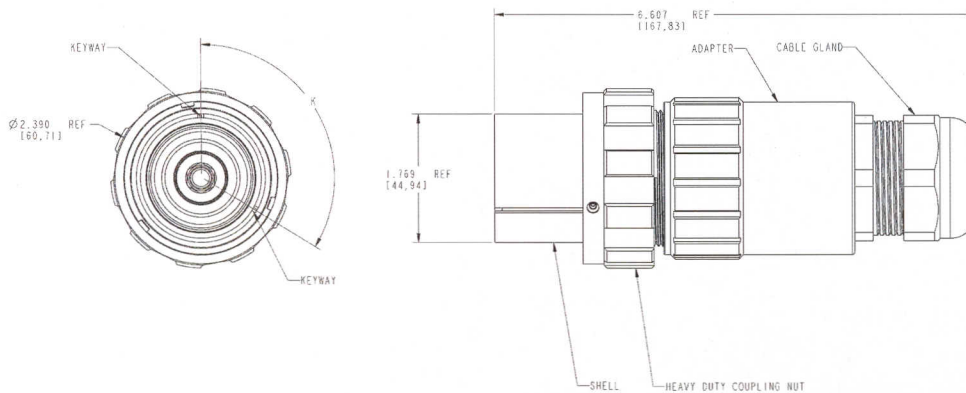


VORTEX CODE LOGIC

- N - 180° DEGREES NORMAL KEYING
- W - 120° DEGREES ROTATED KEYING
- X - 90° DEGREES ROTATED KEYING
- Y - 210° DEGREES ROTATED KEYING



PLUG



Notice: Specifications are subject to change without notice. Contact your nearest Amphenol Corporation Sales Office for the latest specifications. All statements, information and data given herein are believed to be accurate and reliable but are presented without guarantee, warranty, or responsibility of any kind, expressed or implied. Statements of suggestions concerning possible use of our products are made without representation or warranty that any such use is free of patent infringement and are not recommendations to infringe any patent. The user should assume that all safety measures are indicated or that other measures may not be required. Specifications are typical and may not apply to all connectors.

Mouser Electronics

Authorized Distributor

Click to View Pricing, Inventory, Delivery & Lifecycle Information:

Amphenol:

[V06M505W](#) [V06M505X](#) [V03TX](#) [V03TY](#) [V06M403N](#) [V03TW](#) [V06M403W](#) [V03C3X](#) [V03C5N](#) [V06M505Y](#) [V03C5W](#)
[V03BY](#) [V03TN](#) [V06M403Y](#) [V06M505N](#) [V03C3W](#) [V03C3N](#) [V06M403X](#) [V03BX](#) [V03C5X](#) [V03C5Y](#) [V03BW](#)
[V03BN](#) [VTP03RVS025](#) [VTP06RMIP025](#)