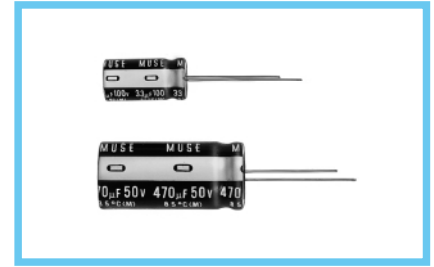




Premium Grade Type, For Audio Equipment



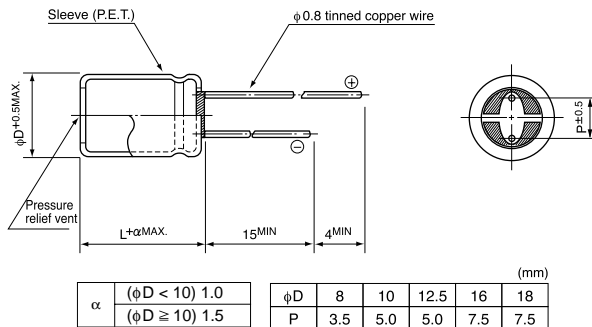
- Premium grade “nichicon MUSE” acoustic series.
- Ideally suited for first class audio equipment where qualitative and quantitative comfortableness is required.
- Adapted to the RoHS directive (2002/95/EC).



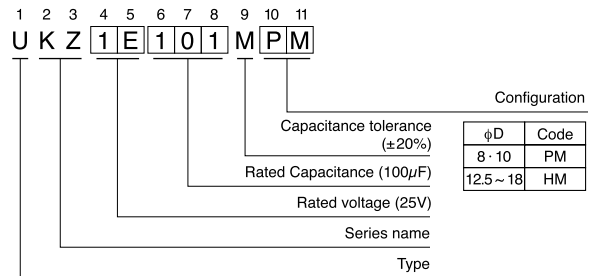
Specifications

Item	Performance Characteristics													
Category Temperature Range	-40 ~ +85°C													
Rated Voltage Range	25 ~ 100V													
Rated Capacitance Range	10 ~ 1000μF													
Capacitance Tolerance	±20% at 120Hz, 20°C													
Leakage Current	After 1 minute's application of rated voltage, leakage current is 0.01CV or less.													
tan δ	Measurement frequency : 120Hz, Temperature : 20°C													
	<table border="1"> <tr> <td>Rated voltage (V)</td> <td>25</td> <td>50</td> <td>100</td> </tr> <tr> <td>tan δ (MAX.)</td> <td>0.12</td> <td>0.08</td> <td>0.07</td> </tr> </table>	Rated voltage (V)	25	50	100	tan δ (MAX.)	0.12	0.08	0.07					
Rated voltage (V)	25	50	100											
tan δ (MAX.)	0.12	0.08	0.07											
Stability at Low Temperature	Measurement frequency : 120Hz													
	<table border="1"> <tr> <td>Rated voltage (V)</td> <td>25</td> <td>50</td> <td>100</td> </tr> <tr> <td>Impedance ratio ZT / Z20 (MAX.)</td> <td>Z-25°C / Z+20°C</td> <td>2</td> <td>2</td> <td>2</td> </tr> <tr> <td></td> <td>Z-40°C / Z+20°C</td> <td>4</td> <td>3</td> <td>3</td> </tr> </table>	Rated voltage (V)	25	50	100	Impedance ratio ZT / Z20 (MAX.)	Z-25°C / Z+20°C	2	2	2		Z-40°C / Z+20°C	4	3
Rated voltage (V)	25	50	100											
Impedance ratio ZT / Z20 (MAX.)	Z-25°C / Z+20°C	2	2	2										
	Z-40°C / Z+20°C	4	3	3										
Endurance	After 1000 hours' application of rated voltage at 85°C, capacitors meet the characteristic requirements listed at right.													
	Capacitance change	Within ±20% of initial value												
	tan δ	150% or less of initial specified value												
Shelf Life	After storing the capacitors under no load at 85°C for 1000 hours, and after performing voltage treatment based on JIS C 5101-4 clause 4.1 at 20°C, they will meet the specified value for endurance characteristics listed above.													
	Leakage Current	Initial specified value or less												
Marking	Printed with gold color letter on black sleeve.													

Radial Lead Type



Type numbering system (Example : 25V 100μF)



• Please refer to page 21 about the end seal configuration.

Dimensions

Cap.(μF)	φD×L (mm)			
	V	25	50	100
10	Code 100	1E	1H	2A
22	220		8 × 11.5	10 × 16
33	330	8 × 11.5	10 × 12.5	10 × 20
47	470	10 × 12.5	10 × 16	12.5 × 20
100	101	10 × 16	12.5 × 20	16 × 25
220	221	12.5 × 20	16 × 25	16 × 35.5
330	331	12.5 × 25	16 × 31.5	18 × 35.5
470	471	16 × 25	16 × 35.5	
1000	102	16 × 35.5	18 × 40	

Please refer to page 21, 22, 23 about the formed or taped product spec.
Please refer to page 3 for the minimum order quantity.