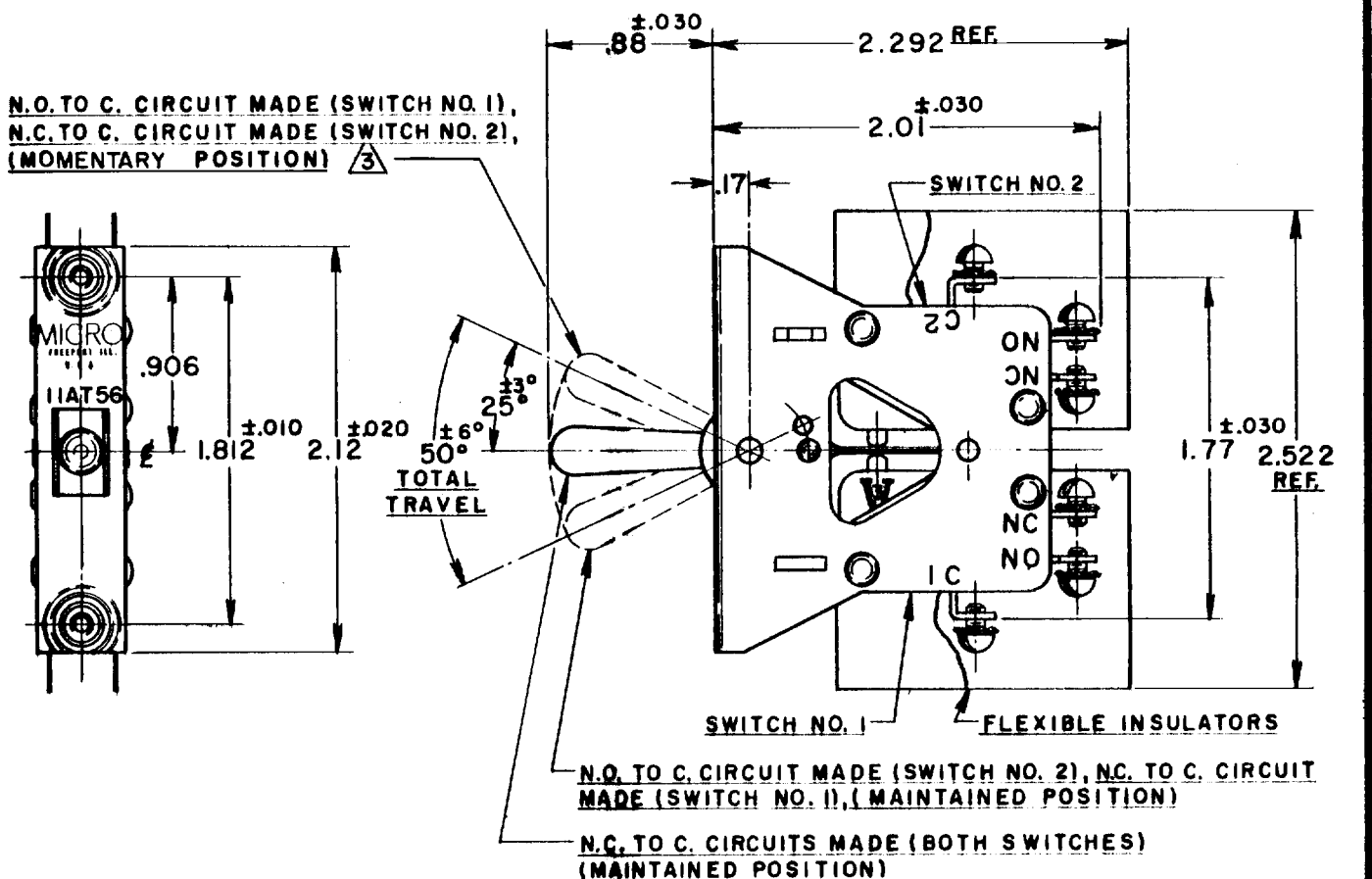
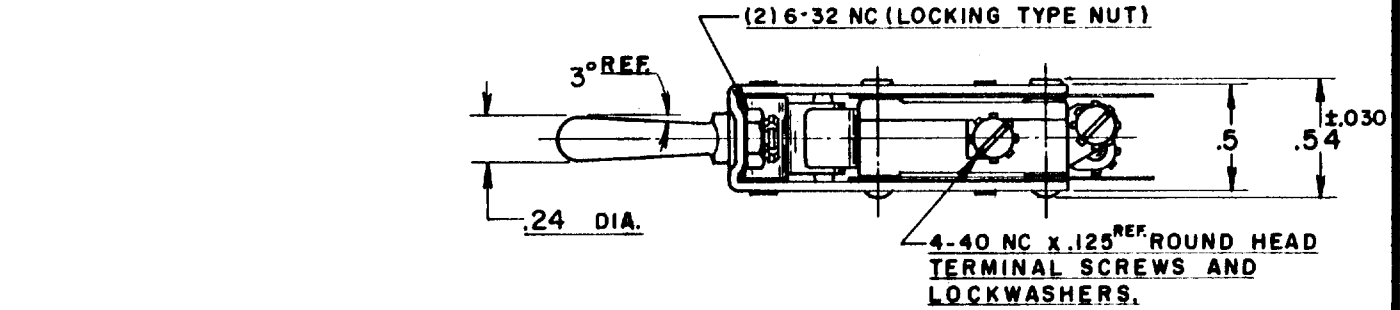


CATALOG LISTING
 11AT56
 PAGE 1 OF 1
 ISSUE 7
 M
 REVISIONS
 A SR9255
 L M H
 28 SEP 60
 B CO16594
 D W V
 3 JAN 62
 C CO17248
 M B F
 23 AUG 62
 D CO-58771
 KAG
 FEB 66
 E CO59602
 KAG
 AUG 66
 F CO84854
 J A K
 13 AUG 97
 CHECK
 W R D
 11 AUG 60
 G C H
 28 SEP 60
 L S D
 11 AUG 60
 FORMTEK
 DRAWN
 REPLACES
 RELEASE NO. SR 9255



NOTES
 1-UNIT INCLUDES (2) CAT. LIST. V3-1 BASIC SWITCHES
 2-SAME AS 11AT50 EXCEPT WITH THE BASIC SWITCH NO. (.156 ±.030 HIGH) MARKED ON SIDE OF BRACKET
 ⚠ TOGGLE LEVER WILL NOT PASS THROUGH CENTER POSITION WHEN SNAP RELEASED

THIS DRAWING COVERS A PROPRIETARY ITEM AND IS THE PROPERTY OF MICRO SWITCH, A DIVISION OF MINNEAPOLIS-HONEYWELL REGULATOR CO. THIS DRAWING IS NOT TO BE COPIED OR USED WITHOUT THE APPROVAL OF MICRO SWITCH.

CHARACTERISTICS	ELECTRICAL DATA		SCALE FULL
OPERATING FORCE — — — — 2-4 LB TO REMOVE FROM DETENT POSITION	CONTACT ARRANGEMENT S P D T (2)	BREAK DISTANCE .040 APPROX	DO NOT SCALE PRINT
	© 15 A - 1/3 HP - 125 OR 250 VAC 1/2 A - 125 VDC; 1/4 A - 250 VDC		UNLESS OTHERWISE SPECIFIED DIMENSIONS ARE IN INCHES TOLERANCES ARE: ONE PLACE (.0) ±.030 TWO PLACE (.00) ±.018 THREE PLACE (.000) ±.008 ANGLES ±
			WEIGHT .145 LB