

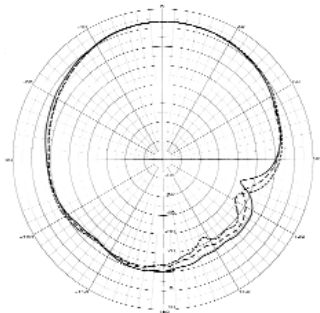
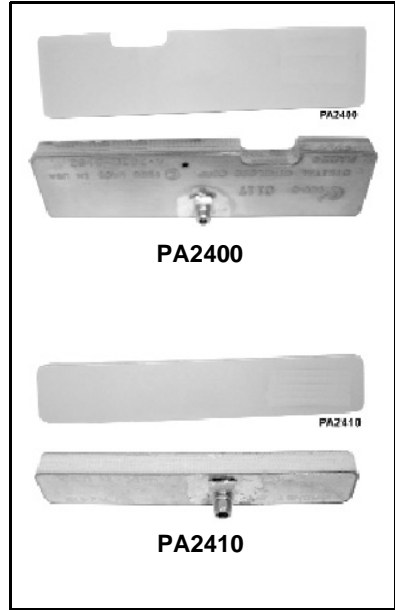


**PA2400  
PA2410**

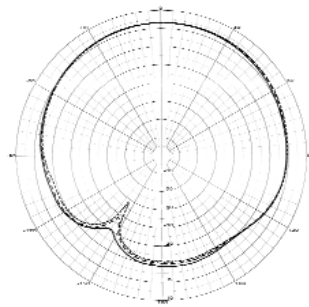
**Patch  
Antennas**

**Specifications**

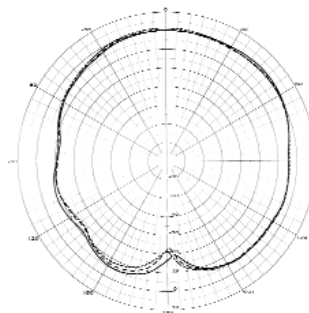
	<b>PA2400</b>	<b>PA2410</b>
Frequency Bandwidth	2.4 - 2.5 GHz	2.4 - 2.5 GHz
Antenna Type	Patch	Patch
Gain	6 dBi	2 dBi
VSWR	Less than 1.9:1	Less than 1.9:1
Nominal Impedance	50 ohms	50 ohms
Radiation Pattern	Directional	Directional
Polarization	Linear	Linear
Connector	Huber-Suhner Type 81 MMCX-50-0-1 Plug	Huber-Suhner Type 81 MMCX-50-0-1 Plug



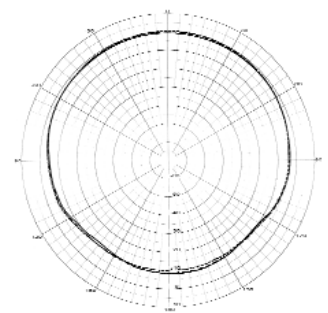
**E-Plane  
PA2400 Antenna Pattern**



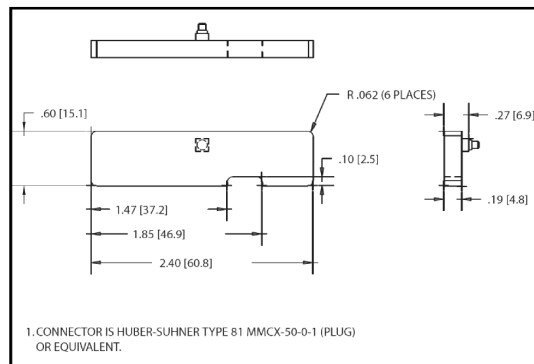
**H-Plane**



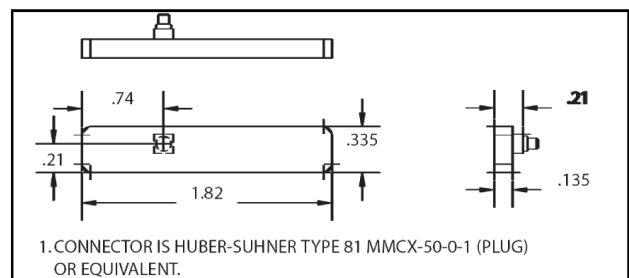
**E-Plane  
PA2410 Antenna Pattern**



**H-Plane**



**PA2400**



**PA2410**