

AMI200-970

Slim Type System for IBASE MI970VF Mini-ITX Motherboard



Features

- Supports 3rd Generation Intel® Core™ i mobile processors
- iSMART - for EuP/ErP power saving, auto-scheduler and power resume
- One 2.5" storage device inside
- Available in silver color
- Fanless operation
- Wall mount kit included
- iAMT 8.0

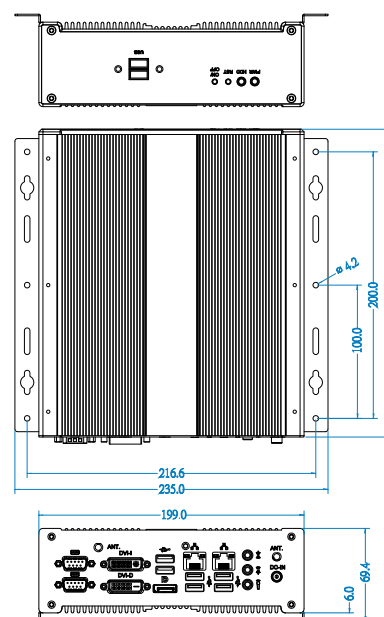
Specifications

System Mainboard	MI970VF
CPU Type	3rd Generation Intel® Core™ i series mobile CPU, rPGA988B
System Speed	Up to 2.8GHz
Memory	2x DDR3 SO-DIMM, 8GB (w/ heatsink)
Construction	Aluminum
Chassis Color	Silver
Front Panel External I/O	Power LED, HDD LED, Power button, Reset button, 2x USB Ports (2.0/3.0)
Rear Panel External I/O	2x COM 1x DVI-I+DVI-D, DisplayPort + dual USB(3.0), 2x dual USB(2.0)+RJ45 1x Audio port (3-port) DC-in jack
Storage	1x 2.5" storage device (SATA II or SATAIII interface), 100GB industrial-grade HDD
Power Supply	120W power adaptor
Mounting	Desktop or wall mount (wall mount kit included)
Dimensions	199mm(W) x 232mm(D) x 63.4mm(H)
Operating Temperature	0°C ~ 45°C (32°F ~ 113°F)
Storage Temperature	-20° ~ 80°C (-4°F ~ 176°F)
Relative Humidity	5~90% @ 45°C, (non-condensing)
Vibration	SSD: 5 grms / 5~500Hz / random operation HDD: 0.25 grms / 5~500Hz / random operation
Others	Digital I/O (4 in/4 out), 2x Realtek 8111E-VL GbE controller
Certification	CE, FCC, LVD

Ordering Information

AMI200-970-1020E	Aluminum System, Fanless Design w/ Intel® Celeron® 1020E (2.2GHz) CPU, 8GB DDR3 SO-DIMM, 2.5" 100GB industrial-grade HDD, 120W/12V power adaptor
AMI200-970-3120ME	Aluminum Chassis, Fanless Design w/ Intel® Core™ i3-3120ME (2.4GHz) CPU, 8GB DDR3 SO-DIMM, 2.5" 100GB industrial-grade HDD, 120W/12V power adaptor
AMI200-970-3610ME	Aluminum Chassis, Fanless Design w/ Intel® Core™ i5-3610ME (2.7GHz) CPU, 8GB DDR3 SO-DIMM, 2.5" 100GB industrial-grade HDD, 120W/12V power adaptor
AMI200-970-3612QM	Aluminum Chassis, Fanless Design w/ Intel® Core™ i7-3612QM (2.1GHz) CPU, 8GB DDR3 SO-DIMM, 2.5" 100GB industrial-grade HDD, 120W/12V power adaptor

Dimensions Drawing



Mouser Electronics

Authorized Distributor

Click to View Pricing, Inventory, Delivery & Lifecycle Information:

[IBASE:](#)

[AMI200-970VF-I3](#) [AMI200-970VF-I7](#)