

5

4

3

2

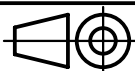
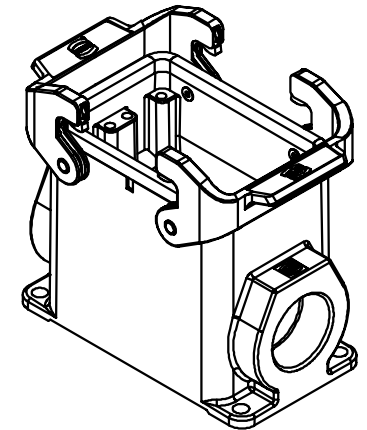
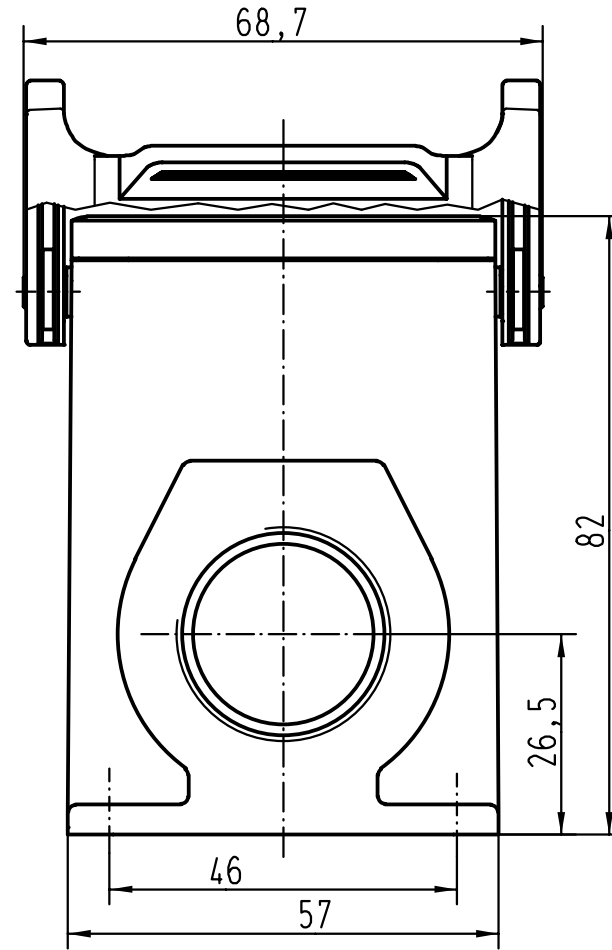
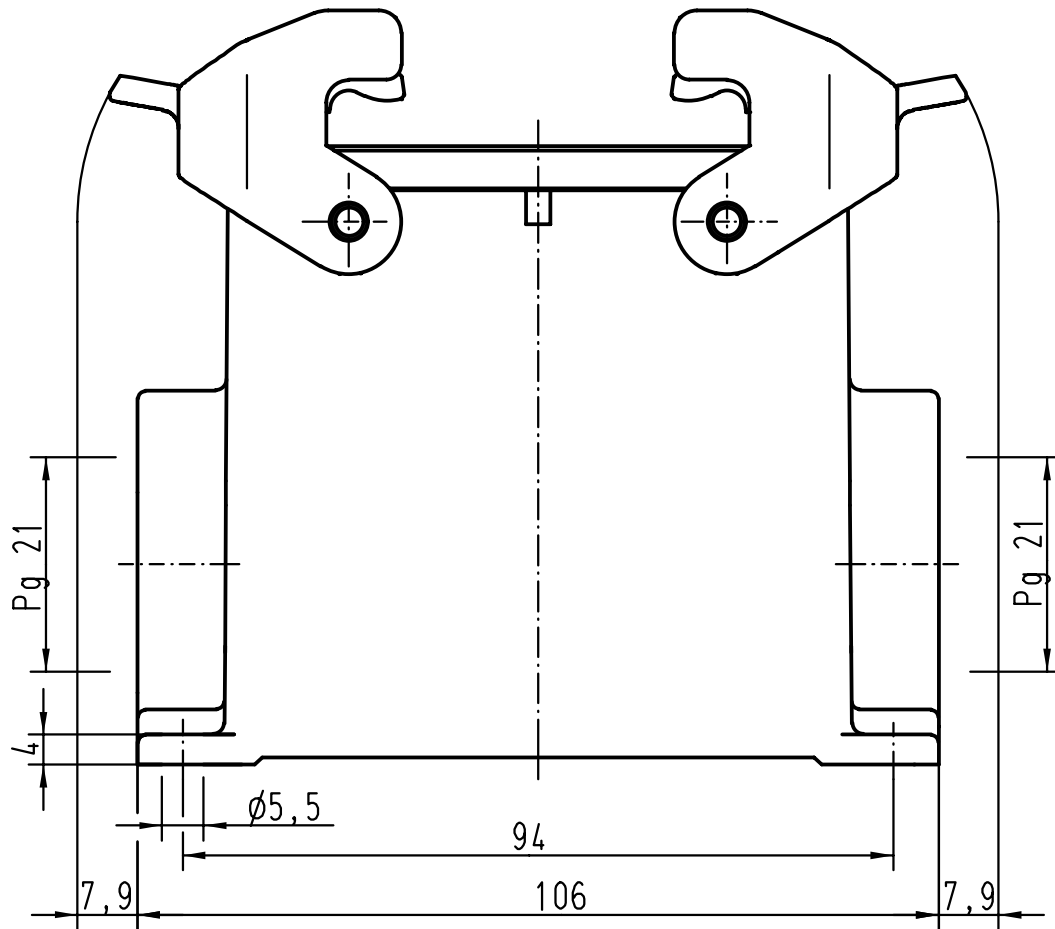
1

D

C

B

A



All Dimensions in mm  
Original Size DIN A 4

Techn. Character.

Nicht tolerierte Masse/ Free size tolerances

28188	10.08.00	Gö	
24772	18.09.98	PL	
15042	04.06.93	HERB	
Mod.	Dat.	Name	

	Dat.	Name
Detail.	03.03.93	MEIER
Insp.		HERB
Stand.		NÖTZEL

Massstab/Scale  
1:1

HARTING KGaA  
D-32339 ESPELKAMP



**Han 32A-asg2-QB-21**  
Sockelgehäuse mit 2 Kabelausgängen  
 housings surface mounting 2 side-entry

TB 09 20 032 0270

Sub.

Blatt/ page

**09 20 032 0270****Housing or Han Snap**

other series

Hoods/housings variants	Standard hoods/housings
Size of hood/housing	32 A
Series	Staf
Number of contacts	40 poles without PE
Used housing	Two side-entries
Housing or Han Snap type	Housing (bulkhead/surface)
Locking	Two levers on the housing
Cable type	Cable entry f. round cable
Type	High construction
Cable entry protection	Pg 21
Cover	No cover
Housing material	Metal
Fixing device	No fixing device

[Inquiry](#)

The data sheet is up to date

2D files

[PDF](#)[DXF](#)© Copyright 1999-2000 Harting KGaA and its licensors - Any suggestions and bug reports are welcome at: [HARKIS@harting.com](mailto:HARKIS@harting.com)