

Features

- Low Loss
- Excellent Rejection
- Excellent Power Handling

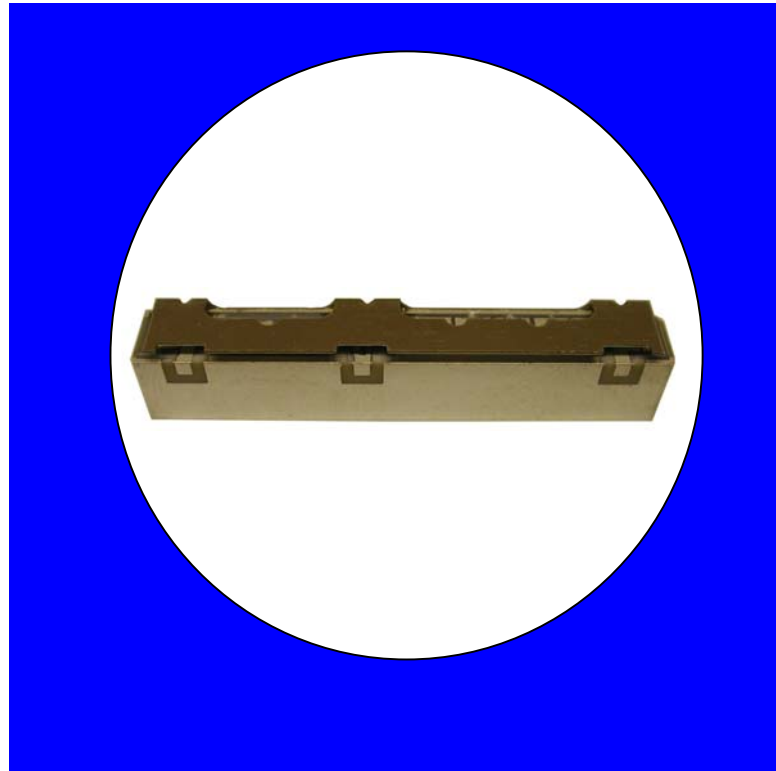
Description

Surface mount, silver (Ag) coated ceramic duplexer. Developed for use in both subscriber and infrastructure InMarSat Applications.

Weight: 7.8 grams typical

Material: Filter is composed of a ceramic block plated with Ag and a shield made of nickel silver plated steel.

Filter complies with RoHS standards.



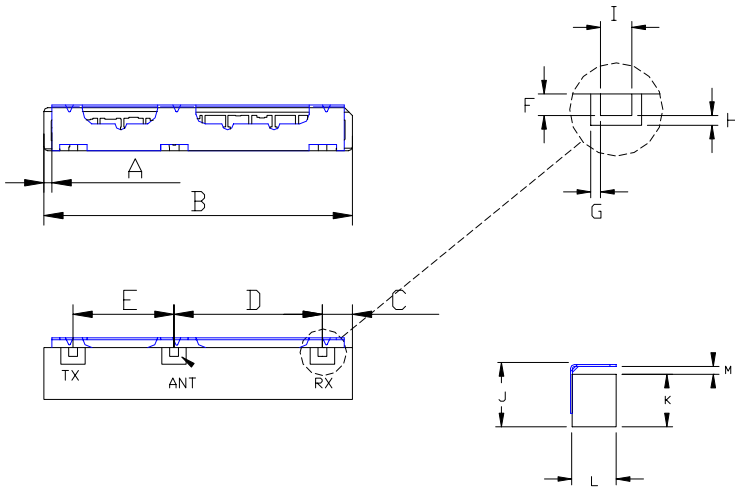
Electrical Specifications

Parameter	Frequency (MHz)	Typical @ 25°C	Spec. @ 25°C	Spec. over -40°C to +85°C
TX to Antenna Response				
Passband Insertion Loss	1626.5 – 1660.5	0.91 dB	1.5 dB max	1.8 dB max
Passband Return Loss @ TX	1626.5 – 1660.5	15 dB	10.0 dB min	9.5 dB min
Passband Return Loss @ ANT	1626.5 – 1660.5	15 dB	10.0 dB min	9.5 dB min
Attenuation:	1525 – 1559	62 dB	60.0 dB min	59.0 dB min
Antenna to RX Response				
Passband Insertion Loss	1525 – 1559	1.2 dB	1.5 dB max	1.8 dB max
Passband Return Loss @ RX	1525 – 1559	14.5 dB	10.0 dB min	9.5 dB min
Passband Return Loss @ ANT	1525 – 1559	14.5 dB	10.0 dB min	9.5 dB min
Attenuation:	1626.5 – 1660.5	75 dB	65.0 dB min	64.0 dB min
Power into any port		5 Watt max		

Note: Supplier shall test each filter to the critical electrical specifications of the above table. Any subsequent audits may deviate from in value due to measurement repeatability among different test systems. Such deviations shall not exceed the following limits:

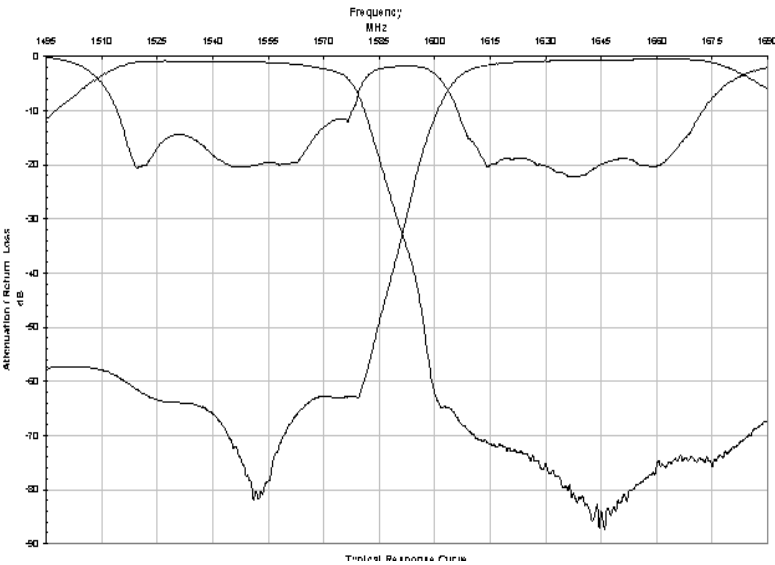
Specification Allowance	
Insertion Loss	0.1 dB
Return Loss	1.0 dB
Stopbands	1.0 dB

Mechanical Drawing

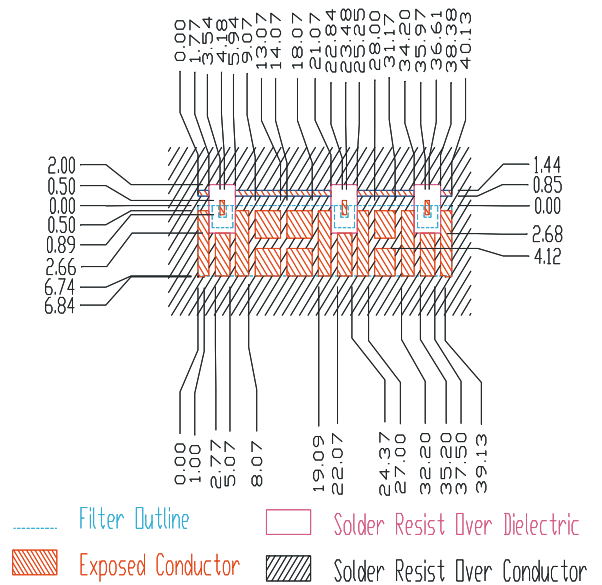


Dim	Nominal (mm)	Tolerance (mm) +/- or max
A	1.054	0.25
B	40.41	max
C	3.897	0.13
D	19.3	0.13
E	13.13	0.13
F	1.14	0.13
G	1.02	0.13
H	1.02	0.13
I	1.14	0.13
J	8.29	max
K	6.84	max
L	5.72	max
M	1.016	0.17

Electrical response

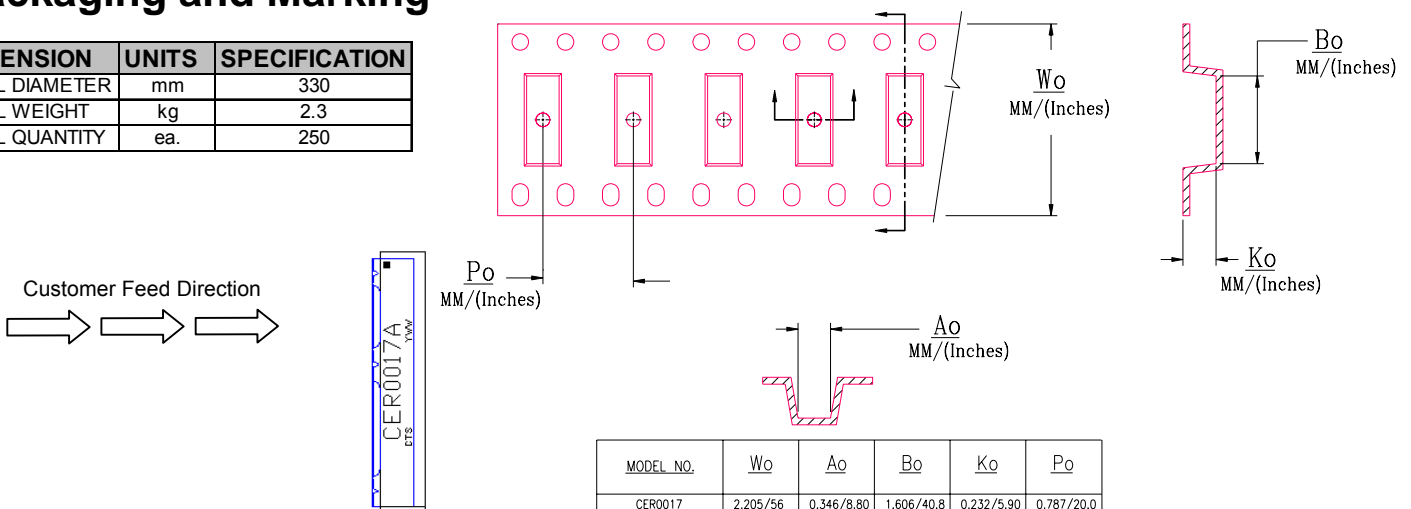


PCB Layout



Packaging and Marking

DIMENSION	UNITS	SPECIFICATION
REEL DIAMETER	mm	330
REEL WEIGHT	kg	2.3
REEL QUANTITY	ea.	250



MODEL NO.	Wo	Ao	Bo	Ko	Po
CER0017	2.205/56	0.346/8.80	1.606/40.8	0.232/5.90	0.787/20.0