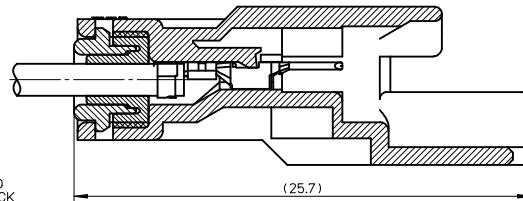
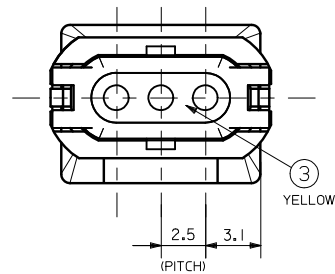
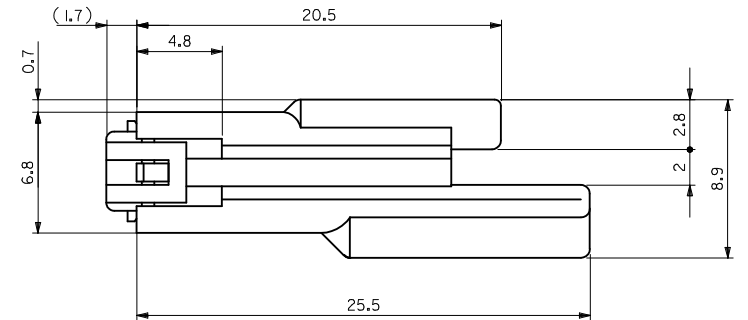


52116-024*

52116-0240~0242 : RED
52116-0243 : BLACK

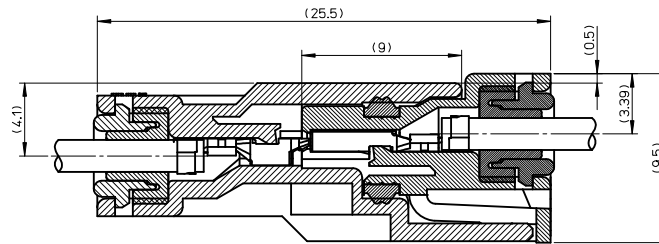


断面A-A (端子装着状態)
SECTION A-A (TERM. ASSEMBLY DRAWING)

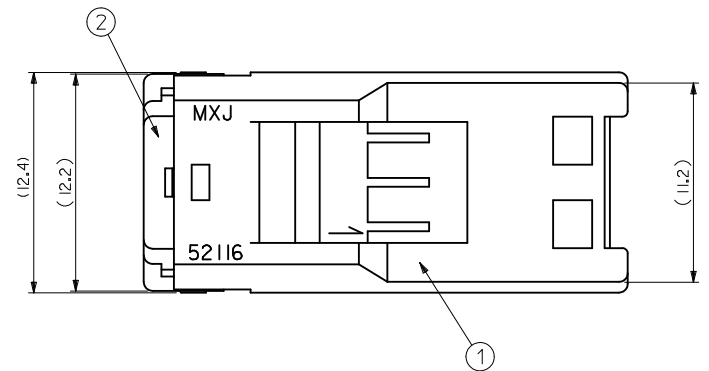


52116-034*

YELLOW



嵌合状態図
FULLY MATED CONDITION



注記
NOTE

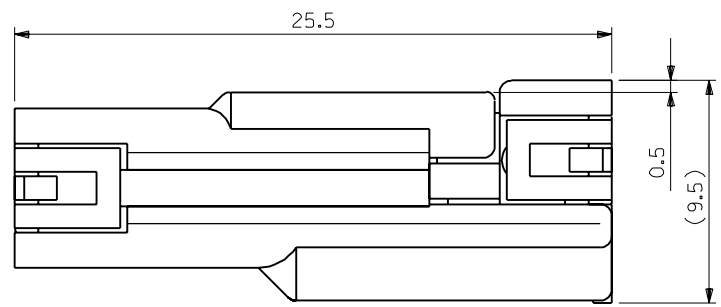
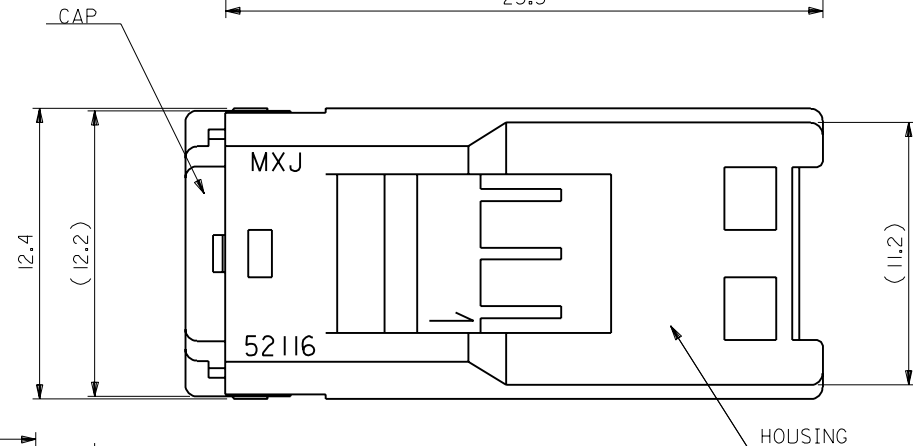
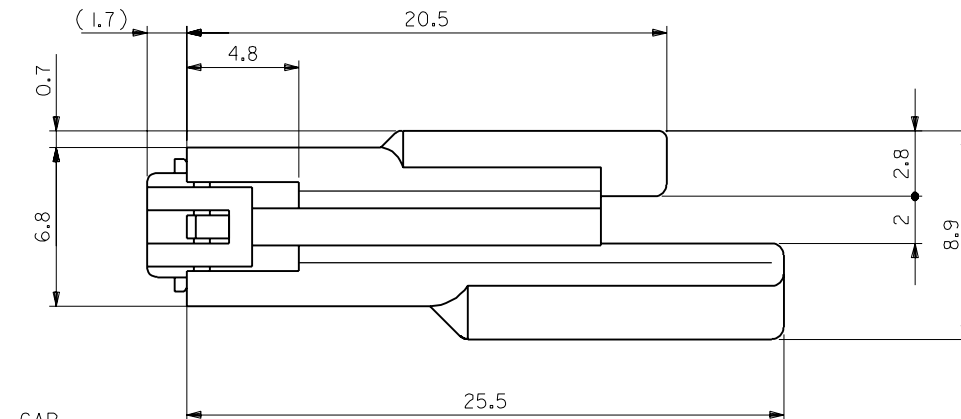
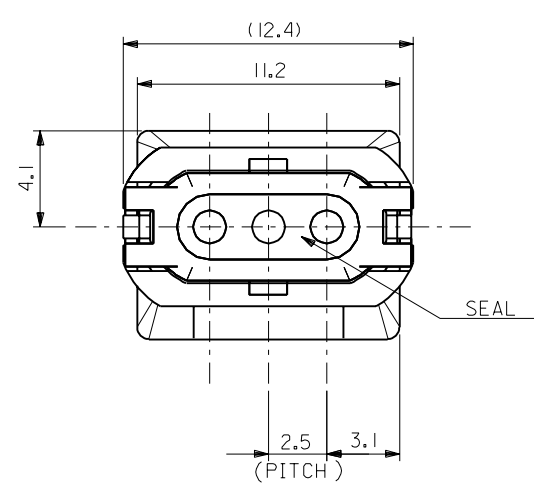
- 適合端子: 50038-8*00
APPLICABLE TERMINAL: 50038-8*00
- 嵌合相手: 52117-0*4*
MATES WITH: 52117-0*4*
- 製品仕様書: PS-52117-007
PRODUCT SPECIFICATION: PS-52117-007
- 取扱説明書: AS-52117-001
APPLICATION SPECIFICATION: AS-52117-001
- ELV及びRoHS適合品
ELV AND RoHS COMPLIANT

材料 MATERIAL	色 COLOR	名称 TITLE	③
シリコンゴム SILICONE	参照 SEE DRAWING	ワイヤエンドシール WIRE END SEAL	③
ポリエステル POLYESTER (15%G.F.)	参照 SEE CHART	CAP	②
ポリエステル POLYESTER (15%G.F.)	参照 SEE CHART	プラグハウジング PLUG HOUSING	①

構成部品
COMPONENTS

色 COLOR	材料 No. MATERIAL NO.	極数 CKT
赤 RED	52116-0342	3
黒 BLACK	52116-0341	3
白 WHITE	52116-0340	3
赤 RED	52116-0243	2
黒 BLACK	52116-0242	2
白 WHITE	52116-0241	2
赤 RED	52116-0240	2

REVISED & REDRAWN EC NO: JTR2012-0029 DRWN: S. INAKA 2011/07/16 CHKD: SANDO 2011/12/14 APPR: MAYAMAMOTO 2012/01/18	GENERAL TOLERANCES (UNLESS SPECIFIED)		DIMENSION STYLE MM ONLY		SCALE 5:1	DESIGN UNITS METRIC	THIRD ANGLE PROJECTION	
	10 UNDER	±0.2	DRAWN BY Y. ASHIZAWA	DATE 1988/7/8	TITLE 2.5 WATERPROOF CONN. PLUG HSG ASSY W/POSITIVE LOCK			
	10 OVER 30 UNDER	±0.25	CHECKED BY M. SAKANO	DATE 1988/7/8	MOLEX INCORPORATED			
	30 OVER	±0.3	APPROVED BY MAYAMAMOTO	DATE 2012/01/18	SD-52116-001			
	ANGULAR ±3°	DRAFT WHERE APPLICABLE MUST REMAIN WITHIN DIMENSIONS		MATERIAL NO.		DOCUMENT NO.		SHEET NO. 1 OF 1
	SEE CHART		THIS DRAWING CONTAINS INFORMATION THAT IS PROPRIETARY TO MOLEX INCORPORATED AND SHOULD NOT BE USED WITHOUT WRITTEN PERMISSION					



AVSO.3, AWG*20-22	RED	52116-0342
AVSO.3, AWG*20-22	BLACK	52116-0341
AVSO.3, AWG*20-22	WHITE	52116-0340
WIRE RANGE	COLOR	ENG. NO.

NOTES

- 1.ACCEPTS CRIMP TERMINAL:50038-8*00
- 2.MATE'L :
CAP ;POLYESTER(15%G.F.)
HOUSING;POLYESTER(15%G.F.)
SEAL ;SILICONE
- 3.MATES WITH:52117-03**
- 4.COLOR IN THE CHART INDICATES HOUSING COLOR

E	REVISED(J90218)	Y.A	3/16/89	材料 MATERIAL	SEE NOTES	MOLEX-JAPAN CO.,LTD. 日本モレックス株式会社
D	REVISED(J80600)	Y.A	7/8/88	仕上げ FINISH	//	
C	REVISED(J80600)	Y.A	7/8/88	適用電線範囲 WIRE RANGE	SEE CHART	EDP. NO. //
B	RELEASED	E.C.H	8/25/87	被覆外径 INS. RANGE	φ 1.8-1.9	ENG. NO. SD-52116-03**
A	REVISED	M.S	6/25/87	DR. DATE	M.SAKANO	REV E
O	PROPOSED	M.S	6/10/87	CHK. DATE	M.SAKANO	
一般公差 GENERAL TOLERANCES 角度 ANGLE ±3° 30以上 OVER +0.3 10以上 30未満 UNDER +0.25 10未満 UNDER +0.2				記号 LTR 変更内容 REVISION RECORD DR. DATE APP'D BY M.MENOMOTO 尺 度 SCALE 5-1		TITLE 名称 2.5 SPLASH PROOF CONN. PLUG HS'G ASS'Y W/POSITIVE LOCK

THIS DRAWING CONTAINS INFORMATION THAT IS PROPRIETARY TO MOLEX(JAPAN) AND SHOULD NOT BE USED WITHOUT WRITTEN PERMISSION
 本図面は日本モレックス(株)の所有する情報を含むもので 当社の許可なく複製を禁止する。