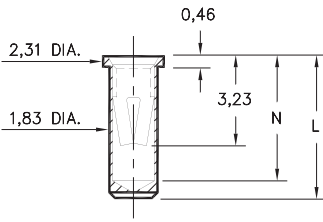


0327/0351/0373

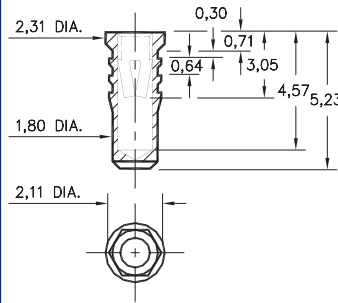


Basic Part Number	Length L	Depth N
0327-0	5,23	4,57
0351-0	5,74	5,08
0373-0	6,86	6,12

03XX-0-15-XX-34-XX-10-0

Solder mount in 1,91 min. mounting hole

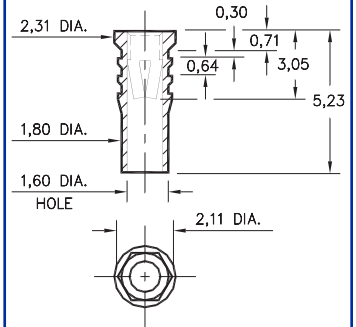
0328



0328-0-15-XX-34-XX-10-0

Hex press-fit in 2,01 plated thru hole

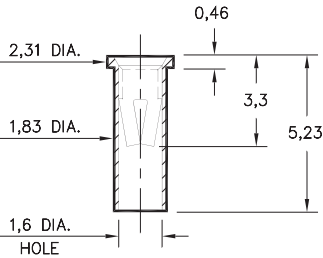
0334



0334-0-15-XX-34-XX-10-0

Hex press-fit in 2,01 plated thru hole

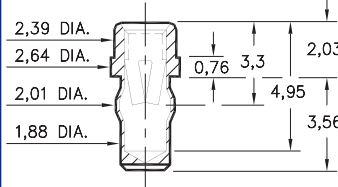
0312



0312-0-15-XX-34-XX-10-0

Solder mount in 1,91 min. mounting hole

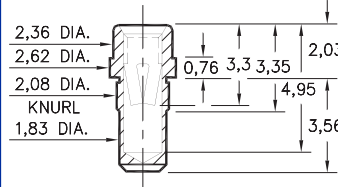
0333



0333-0-42-XX-34-XX-10-0

Press-fit in 1,93 mounting hole

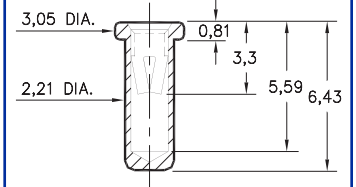
0357



0357-0-15-XX-34-XX-10-0

Press-fit in 1,98 mounting hole

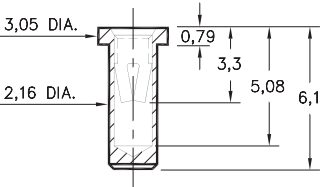
0317



0317-0-15-XX-34-XX-10-0

Solder mount in 2,31 min. mounting hole

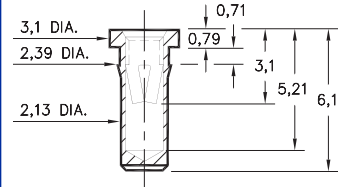
0340



0340-0-15-XX-34-XX-10-0

Solder mount in 2,21 min. mounting hole

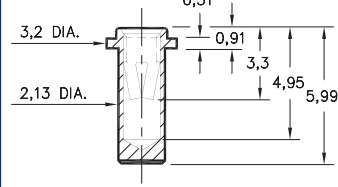
0345



0345-0-15-XX-34-XX-10-0

Press-fit in 2,26 mounting hole

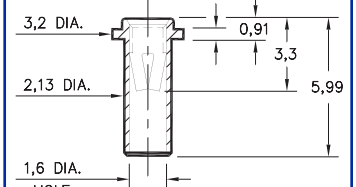
0316



0316-0-15-XX-34-XX-10-0

Solder mount in 2,21 min. mounting hole

0314



0314-0-15-XX-34-XX-10-0

Solder mount in 2,21 min. mounting hole

SPECIFICATIONS

SHELL MATERIAL:
Brass Alloy 360, 1/2 Hard

CONTACT MATERIAL:
Beryllium Copper Alloy 172, HT

DIMENSION IN INCHES
TOLERANCES ON:
LENGTHS: ±0,13
DIAMETERS: ±0,05
ANGLES: ± 2°

ORDER CODE: XXXX - X - XX - XX - 34 - XX - 10 - 0

BASIC PART #

SPECIFY SHELL FINISH:
01 5,08µm TIN/LEAD OVER NICKEL
80 5,08µm TIN OVER NICKEL ◊
15 0,25µm GOLD OVER NICKEL ◊

SPECIFY CONTACT FINISH:
01 5,08µm TIN/LEAD OVER NICKEL
80 5,08µm TIN OVER NICKEL ◊
27 0,76µm GOLD OVER NICKEL ◊



CONTACT

#34 CONTACT (DATA ON PAGE 222)