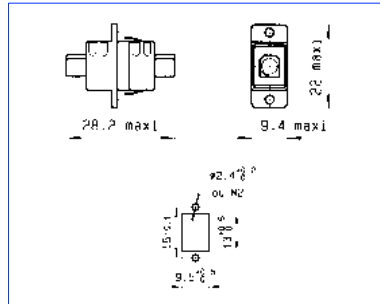
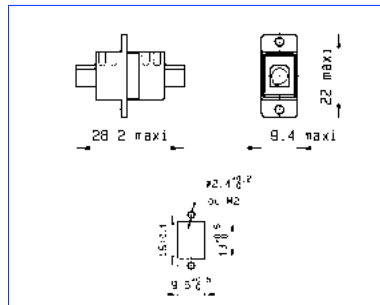




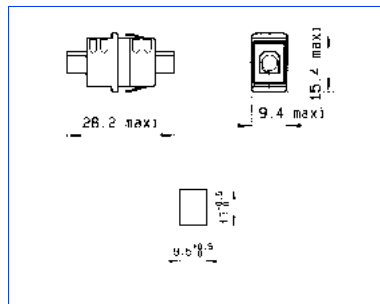
STANDARD ADAPTORS (with a silicone membrane)



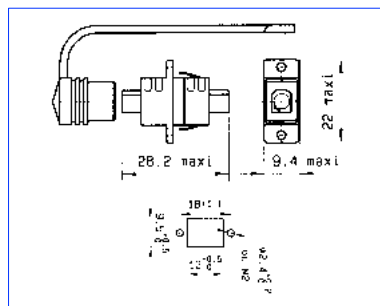
Adaptor with mounting holes and panel clip
F 715 700 000



Adaptor with mounting holes
F 715 704 000



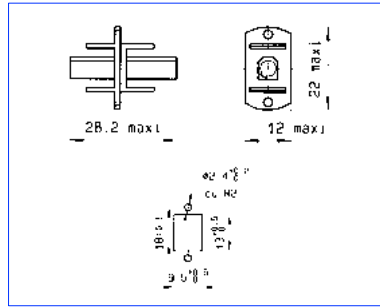
Adaptor with panel clip
F 715 705 000



Adaptor with mounting holes, panel clip and safety cap
F 715 706 000



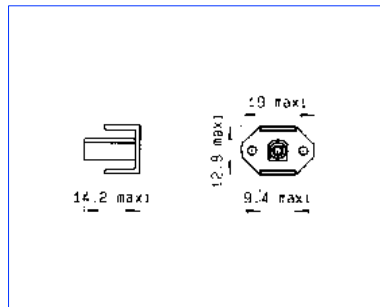
EMI SHIELDED METAL ADAPTOR



F 715 702 000

- Body : Nickel-plated brass
- Mating : 500 cycles
- Shielding : F < 500 Mhz, EB < -95 dB
F < 2 Ghz, EB < -80 dB
F < 6 Ghz, EB < -50 dB

MATING BODY



With narrow flange

Allows an EC plug to be attached to a piece of equipment (measuring instrument etc..) already equipped with a reception diode. Mounted with 2 screws.

F 715 200 000