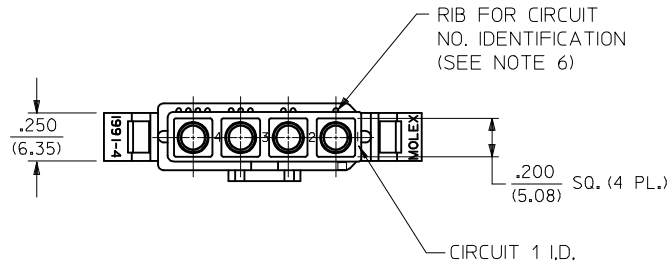
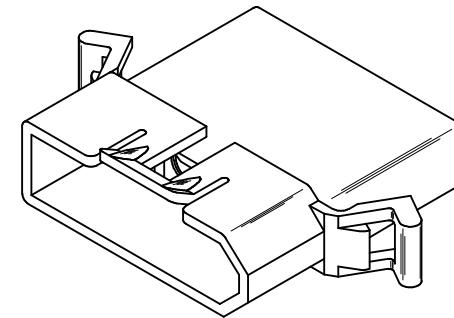
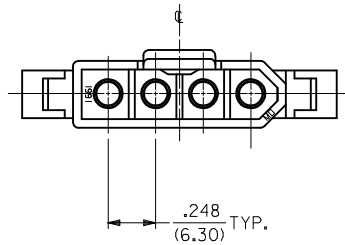
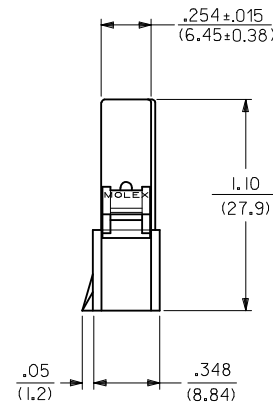
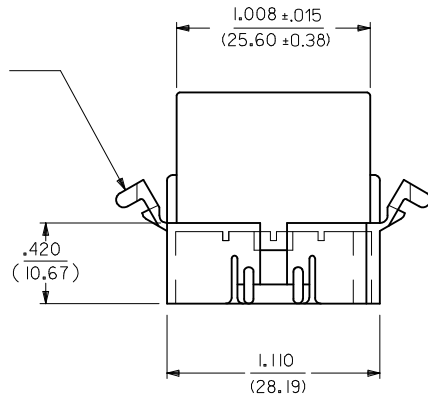


PLUG



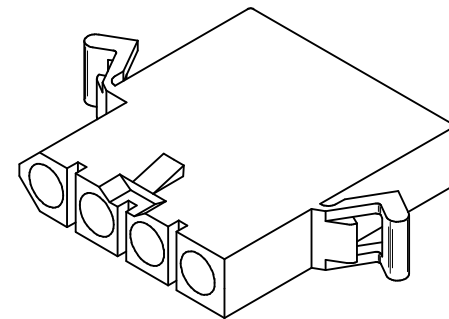
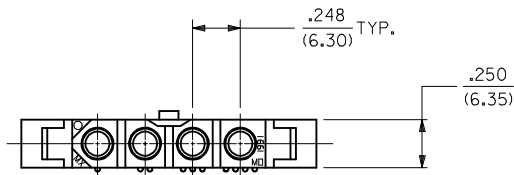
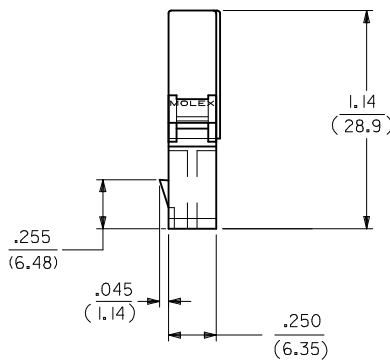
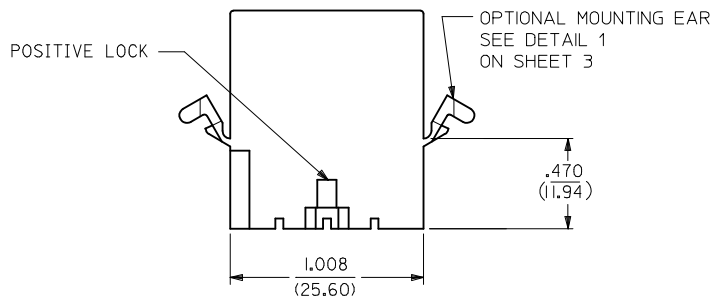
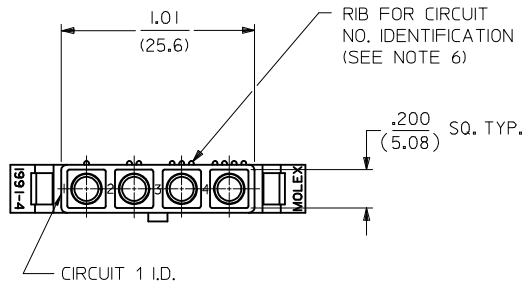
OPTIONAL MOUNTING EAR
SEE DETAIL 1
ON SHEET 3



PLUG HOUSING

RECEPTACLES OBSOLETE IEC NO: UCP2014-5354 DRWN: DFOX CHKD: HKIPPER APPR: FSMITH	2014/06/20 2014/06/20 2014/06/27	QUALITY SYMBOLS	GENERAL TOLERANCES (UNLESS SPECIFIED)	DIMENSION STYLE	SCALE	DESIGN UNITS	THIRD ANGLE PROJECTION
		∇=0 ∇=0 ∇=0	mm INCH 4 PLACES ± --- ± --- 3 PLACES ± --- ± .010 2 PLACES ± 0.25 ± .014 1 PLACE ± 0.35 ± --- 0 PLACE ± --- ± ---	IN/MM DRAWN BY DATE AELHAG 2007/06/23 CHECKED BY DATE LSCHMIDT 2007/07/23 APPROVED BY DATE FSMITH 2014/06/10	2:1 INCH	TITLE .093/(2.36) HOUSINGS, PLUG AND RECEPTACLE, 4 CKT, .248/(6.30) CTRS.	
		ANGULAR ± 1 ° DRAFT WHERE APPLICABLE MUST REMAIN WITHIN DIMENSIONS	MATERIAL NO. SEE CHART	DOCUMENT NO. SD-1991-4**1	SHEET NO. 1 OF 3		
		REV: A2	SIZE C THIS DRAWING CONTAINS INFORMATION THAT IS PROPRIETARY TO MOLEX INCORPORATED AND SHOULD NOT BE USED WITHOUT WRITTEN PERMISSION	molex			

RECEPTACLE



RECEPTACLE HOUSING

SEE SHEET 1 EC NO: UCP2014-5354 DRWN: JDFX CHKD: HKIPPER APPR: FSMITH	2014/06/20 2014/06/20 2014/06/27	QUALITY SYMBOLS	GENERAL TOLERANCES (UNLESS SPECIFIED)		DIMENSION STYLE	SCALE	DESIGN UNITS	THIRD ANGLE PROJECTION	
		▽=0	mm	INCH	IN/MM	2:1	INCH	☉	
		▽=0	4 PLACES ± ---	± ---	DRAWN BY	DATE	TITLE		
		▽=0	3 PLACES ± ---	± .010	AELHAG	2007/06/23	.093/(2.36) HOUSINGS, PLUG AND RECEPTACLE, 4 CKT, .248/(6.30) CTRS.		
▽=0	2 PLACES ± 0.25	± .014	CHECKED BY	DATE					
	1 PLACE ± 0.35	± ---	LSCHMIDT	2007/07/23	APPROVED BY				
	0 PLACE ± ---	± ---	FSMITH	2014/06/10	DATE				
					MATERIAL NO.	DOCUMENT NO.		SHEET NO.	
					ANGULAR ± 1°	SD-1991-4**1		2 OF 3	
					DRAFT WHERE APPLICABLE MUST REMAIN WITHIN DIMENSIONS	SEE CHART			
					SIZE	THIS DRAWING CONTAINS INFORMATION THAT IS PROPRIETARY TO MOLEX INCORPORATED AND SHOULD NOT BE USED WITHOUT WRITTEN PERMISSION			
A2	REV								

PLUG		RECEPTACLE		
PART NO.	ENG. NO.	PART NO.	ENG. NO.	
50-36-1743	1991-4P1-1	50-36-1691	1991-4R1-1	OBSOLETE
50-36-1693	1991-4P2-1	50-36-1692	1991-4R2-1	OBSOLETE

LEGEND:

1991-4***-*

CIRCUIT SIZE

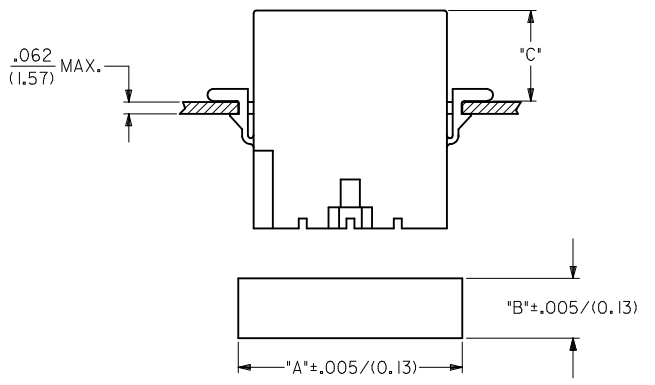
P = PLUG

R = RECEPTACLE

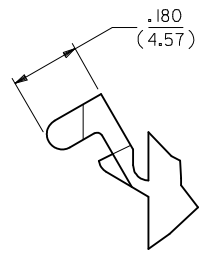
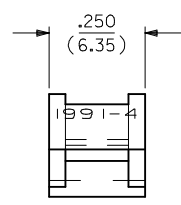
1 = WITHOUT EARS

2 = WITH PREBENT EARS, PER DETAIL 3

MATERIAL :
1 = CODE B



HOUSING	DIM. "A"	DIM. "B"	DIM. "C" STD.EAR	DIM. "C" PREBENT
PLUG	1.270/(32.26)	.365/(9.27)	.48/(12.2)	.52/(13.2)
RECEPTACLE	1.168/(29.67)	.311/(7.90)	.47/(11.9)	.51/(12.9)



DETAIL 1
PREBENT MOUNTING EAR
(SCALE 4:1)

- NOTES:
- 1. MATERIAL: B: NYLON (PA 6), UL94 V-0, GLOW WIRE CAPABLE PER IEC 60335-1, COLOR: BLACK
 - 2. FINISH: N/A
 - 3. PRODUCT SPECIFICATION: PS-02-09
 - 4. PACKAGING SPECIFICATION: PK-1991-001
 - 5. ACCEPTS MOLEX .093/(2.36) SERIES TERMINALS.
 - 6. CIRCUIT NUMBER IDENTIFICATION RIBS MAY OR MAY NOT BE PRESENT
 - 7. PARTS CONFORM TO CLASS B REQUIREMENTS OF COSMETIC SPECIFICATION: PS-45499-002 EXCEPT SINK AND DISCOLORATION MEETS CLASS 'C' REQUIREMENTS.

SEE SHEET 1 IEC NO: UCP2014-5354 DRWN:JDOX 2014/06/20 CHKD:HKIPPER 2014/06/20 APPR:FSMITH 2014/06/27	QUALITY SYMBOLS	GENERAL TOLERANCES (UNLESS SPECIFIED)	DIMENSION STYLE IN/MM	SCALE 2:1	DESIGN UNITS INCH	THIRD ANGLE PROJECTION
	▽=0	mm INCH	DRAWN BY DATE AELHAG 2007/06/23	.093/(2.36) HOUSINGS, PLUG AND RECEPTACLE, 4 CKT, .248/(6.30) CTRS.		
	▽=0	4 PLACES ± --- ± ---	CHECKED BY DATE LSCHMIDT 2007/07/23			
	▽=0	3 PLACES ± --- ± .010	APPROVED BY DATE FSMITH 2014/06/10	MATERIAL NO. SEE CHART	DOCUMENT NO. SD-1991-4**1	SHEET NO. 3 OF 3
▽=0	2 PLACES ± 0.25 ± .014	DRAFT WHERE APPLICABLE MUST REMAIN WITHIN DIMENSIONS				
▽=0	1 PLACE ± 0.35 ± ---	THIS DRAWING CONTAINS INFORMATION THAT IS PROPRIETARY TO MOLEX INCORPORATED AND SHOULD NOT BE USED WITHOUT WRITTEN PERMISSION				
▽=0	0 PLACE ± --- ± ---	ANGULAR ± 1 °				