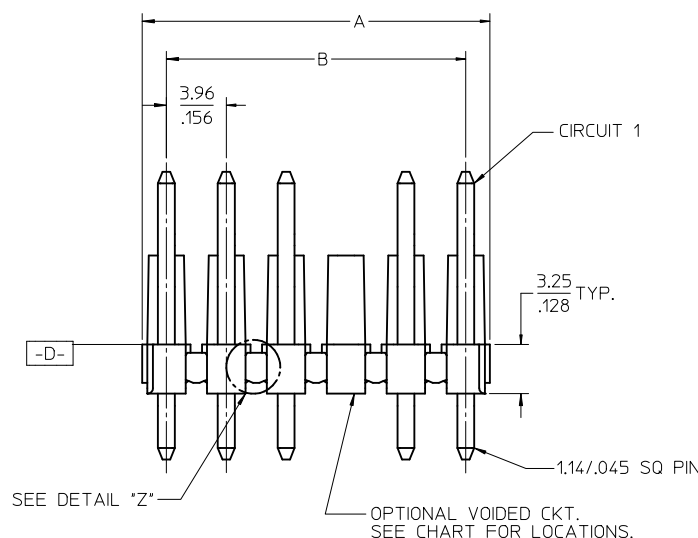
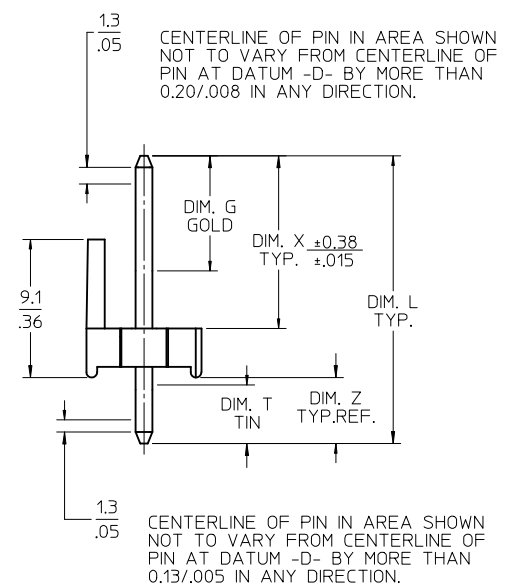
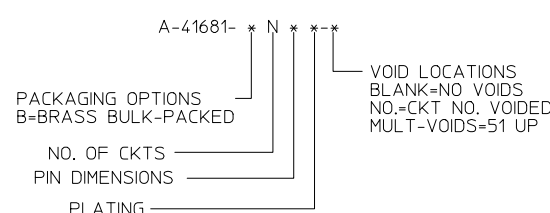


PCB LAYOUT: COMPONENT SIDE
RECOMMENDED PCB THICKNESS:
1.57±0.18/.062±.007



| CIRCUIT | A | B |
|---------|----------------------------|----------------|
| 2 | 6.78/7.87 .267/.310 | 3.96 .156 |
| 3 | 10.74/11.84 .423/.466 | 7.92 .312 |
| 4 | 14.71/15.80 .579/.622 | 11.89 .468 |
| 5 | 18.67/19.76 .735/.778 | 15.85 .624 |
| 6 | 22.63/23.72 .891/.934 | 19.81 .780 |
| 7 | 26.59/27.69 1.047/1.090 | 23.77 .936 |
| 8 | 30.56/31.65 1.203/1.246 | 27.74 1.092 |
| 9 | 34.52/35.61 1.359/1.402 | 31.70 1.248 |
| 10 | 38.48/39.57 1.515/1.558 | 35.66 1.404 |
| 11 | 42.44/43.54 1.671/1.714 | 39.62 1.560 |
| 12 | 46.41/47.50 1.827/1.870 | 43.59 1.716 |
| 13 | 50.37/51.46 1.983/2.026 | 47.55 1.872 |
| 14 | 54.33/55.42 2.139/2.182 | 51.51 2.028 |
| 15 | 58.29/59.39 2.295/2.338 | 55.47 2.184 |
| 16 | 62.26/63.35 2.451/2.494 | 59.44 2.340 |
| 17 | 66.22/67.31 2.607/2.650 | 63.40 2.496 |
| 18 | 70.18/71.27 2.763/2.806 | 67.36 2.652 |
| 19 | 74.14/75.23 2.919/2.962 | 71.32 2.808 |
| 20 | 78.11/79.20 3.075/3.118 | 75.29 2.964 |
| 21 | 82.07/83.16 3.231/3.274 | 79.25 3.120 |
| 22 | 86.03/87.12 3.387/3.430 | 83.21 3.276 |
| 23 | 89.94/91.08 3.541/3.586 | 87.17 3.432 |
| 24 | 93.85/95.00 3.695/3.740 | 91.14 3.588 |

- NOTES:
- MATERIAL: HEADER: GLASS FILLED POLYESTER, 94V-0, MOLDED BLACK PINS- BRASS
 - FINISH:
 - (197) = OVERALL REFLOWED MATTE TIN: (0.00152)/.000060 MIN. OVER (0.00127)/.000050 MIN.
 - (208) = SELECT GOLD: (0.00038)/.000015 MIN. OVER SELECT TIN: (0.00254)/.000100 MIN. OVER NICKEL OVERALL: (0.000127)/.000050 MIN.
 - (228) = SELECT GOLD: (0.00076)/.000030 MIN. OVER NICKEL OVERALL: (0.00127)/.000050 MIN. OVER NICKEL OVERALL: (0.00127)/.000050 MIN. OVER NICKEL OVERALL: (0.00127)/.000050 MIN.
 - (241) = SELECT GOLD: 0.00051/.000020 MIN. OVER NICKEL OVERALL: (0.00127)/.000050 MIN. OVER NICKEL OVERALL: (0.00127)/.000050 MIN.
 - PRODUCT SPECIFICATION: PS-08-50.
 - PACKAGING: SEE CHART
 - SOLDERABILITY: PER SMES-152.
 - PIN PUSH-OUT FORCE: PRIOR TO SOLDERING, A 3 LB. MINIMUM FORCE IN EITHER DIRECTION SHALL BE REQUIRED TO PUSH THE PIN OUT OF THE HEADER.
 - PARTS ARE STACKABLE END TO END ON 3.96/.156 CENTERS. (SPACING TABS MUST BE REMOVED ON CIRCUIT SIZES 1-23 BEFORE PARTS ARE STACKABLE.)



| | | | | | | | | | |
|---|---------------------|---|--|--|--------------|---|------------------------|---|--|
| ADD FINISH 197 EC NO: UCP2012-0114 DRW:WSTROH 2011/07/26 CHKD:MKIPPER 2011/07/24 APPR:FSMITH 2011/10/28 | QUALITY SYMBOLS | GENERAL TOLERANCES (UNLESS SPECIFIED) | | DIMENSION STYLE MM/IN | SCALE 4:1 | DESIGN UNITS INCH | THIRD ANGLE PROJECTION | | |
| | | 4 PLACES \pm --- \pm --- 3 PLACES \pm --- \pm .006 2 PLACES \pm 0.15 \pm .010 1 PLACE \pm 0.25 \pm --- ANGULAR \pm 1/2° | DRAWN BY SAMI EC 08/09/85 CHECKED BY DATE APPROVED BY LENZ 08/09/85 | TITLE KK .156 HEADER ASSEMBLY POLARIZING STRAIGHT 2-24 CKTS. | | MATERIAL NO. SEE CHART DOCUMENT NO. SD-41681-001 | SHEET NO. 1 OF * | | |
| DRAFT WHERE APPLICABLE MUST REMAIN WITHIN DIMENSIONS | | | | | | | | THIS DRAWING CONTAINS INFORMATION THAT IS PROPRIETARY TO MOLEX INCORPORATED AND SHOULD NOT BE USED WITHOUT WRITTEN PERMISSION | |

| ENG. NO: A-41681-BNA197-* | | | | ENG. NO: A-41681-BNA241-* | | | | ENG. NO: A-41681-BNC197-* | | | |
|---------------------------|------------|---------------------|-------|---------------------------|------------|---------------------|-------|---------------------------|------------|---------------------|-------|
| PIN NUMBER | | 43294-0240 | | PIN NUMBER | | 43294-0241 | | PIN NUMBER | | 43294-0193 | |
| PLATING | | 197 | | PLATING | | 241 | | PLATING | | 197 | |
| DIM. L | | (19.05)/.750 | | DIM. L | | (19.05)/.750 | | DIM. L | | (17.78)/.700 | |
| DIM. X | | (11.43)/.450 | | DIM. X | | (11.43)/.450 | | DIM. X | | (11.35)/.447 | |
| DIM. G (GOLD) | | N/A | | DIM. G (GOLD) | | (6.86)/.270 | | DIM. G (GOLD) | | N/A | |
| DIM. Z | | (4.37)/.172 | | DIM. Z | | (4.37)/.172 | | DIM. Z | | (3.18)/.125 | |
| DIM. T (TIN) | | OVERALL | | DIM. T (TIN) | | (4.06)/.160 | | DIM. T (TIN) | | OVERALL | |
| PACKAGING | | PK-41681-001 (BULK) | | PACKAGING | | PK-41681-001 (BULK) | | PACKAGING | | PK-41681-001 (BULK) | |
| CKTS | EDP NO. | ENG. NO. | VOIDS | CKTS | EDP NO. | ENG. NO. | VOIDS | CKTS | EDP NO. | ENG. NO. | VOIDS |
| 02 | 26-48-1023 | A-41681-B2A197 | | 02 | 26-48-2023 | A-41681-B2A241 | | 02 | 26-48-7025 | A-41681-B2C197 | |
| 03 | 26-48-1033 | A-41681-B3A197 | | 03 | 26-48-2033 | A-41681-B3A241 | | 03 | 26-48-7035 | A-41681-B3C197 | |
| 04 | 26-48-1043 | A-41681-B4A197 | | 04 | 26-48-2043 | A-41681-B4A241 | | 04 | 26-48-7045 | A-41681-B4C197 | |
| 05 | 26-48-1053 | A-41681-B5A197 | | 05 | 26-48-2053 | A-41681-B5A241 | | 05 | 26-48-7055 | A-41681-B5C197 | |
| 06 | 26-48-1063 | A-41681-B6A197 | | 06 | 26-48-2063 | A-41681-B6A241 | | 06 | 26-48-7065 | A-41681-B6C197 | |
| 07 | 26-48-1073 | A-41681-B7A197 | | 07 | 26-48-2073 | A-41681-B7A241 | | 07 | 26-48-7075 | A-41681-B7C197 | |
| 08 | 26-48-1083 | A-41681-B8A197 | | 08 | 26-48-2083 | A-41681-B8A241 | | 08 | 26-48-7085 | A-41681-B8C197 | |
| 09 | 26-48-1093 | A-41681-B9A197 | | 09 | 26-48-2093 | A-41681-B9A241 | | 09 | 26-48-7095 | A-41681-B9C197 | |
| 10 | 26-48-1103 | A-41681-B10A197 | | 10 | 26-48-2103 | A-41681-B10A241 | | 10 | 26-48-7105 | A-41681-B10C197 | |
| 11 | 26-48-1113 | A-41681-B11A197 | | 11 | 26-48-2113 | A-41681-B11A241 | | 11 | 26-48-7115 | A-41681-B11C197 | |
| 12 | 26-48-1123 | A-41681-B12A197 | | 12 | 26-48-2123 | A-41681-B12A241 | | 12 | 26-48-7125 | A-41681-B12C197 | |
| 13 | 26-48-1133 | A-41681-B13A197 | | 13 | 26-48-2133 | A-41681-B13A241 | | 13 | 26-48-7135 | A-41681-B13C197 | |
| 14 | 26-48-1143 | A-41681-B14A197 | | 14 | 26-48-2143 | A-41681-B14A241 | | 14 | 26-48-7145 | A-41681-B14C197 | |
| 15 | 26-48-1153 | A-41681-B15A197 | | 15 | 26-48-2153 | A-41681-B15A241 | | 15 | 26-48-7155 | A-41681-B15C197 | |
| 16 | 26-48-1163 | A-41681-B16A197 | | 16 | 26-48-2163 | A-41681-B16A241 | | 16 | 26-48-7165 | A-41681-B16C197 | |
| 17 | 26-48-1173 | A-41681-B17A197 | | 17 | 26-48-2173 | A-41681-B17A241 | | 17 | 26-48-7175 | A-41681-B17C197 | |
| 18 | 26-48-1183 | A-41681-B18A197 | | 18 | 26-48-2183 | A-41681-B18A241 | | 18 | 26-48-7185 | A-41681-B18C197 | |
| 19 | 26-48-1193 | A-41681-B19A197 | | 19 | 26-48-2193 | A-41681-B19A241 | | 19 | 26-48-7195 | A-41681-B19C197 | |
| 20 | 26-48-1203 | A-41681-B20A197 | | 20 | 26-48-2203 | A-41681-B20A241 | | 20 | 26-48-7205 | A-41681-B20C197 | |
| 21 | 26-48-1213 | A-41681-B21A197 | | 21 | 26-48-2213 | A-41681-B21A241 | | 21 | 26-48-7215 | A-41681-B21C197 | |
| 22 | 26-48-1223 | A-41681-B22A197 | | 22 | 26-48-2223 | A-41681-B22A241 | | 22 | 26-48-7225 | A-41681-B22C197 | |
| 23 | 26-48-1233 | A-41681-B23A197 | | 23 | 26-48-2233 | A-41681-B23A241 | | 23 | 26-48-7235 | A-41681-B23C197 | |
| 24 | 26-48-1243 | A-41681-B24A197 | | 24 | 26-48-2243 | A-41681-B24A241 | | 24 | 26-48-7245 | A-41681-B24C197 | |
| 13 | 26-49-6137 | A-41681-B13A197-12 | 12 | | | | | | | | |
| 17 | 26-49-6177 | A-41681-B17A197-2 | 2 | | | | | | | | |
| 20 | 26-49-6207 | A-41681-B20A197-17 | 17 | | | | | | | | |

| | | | |
|---|---|--|-------------------------------|
| REV: T | ECR/ECN INFORMATION | TITLE: KK .156 HEADER ASSEMBLY POLARIZING STRAIGHT 2-24 CKTS | SHEET No. |
| | EC No: UCP2012-0114 | | - 2 - |
| | DATE: 7/26/2011 | | |
| DOCUMENT NUMBER: SD-41681-001 | CREATED / REVISED BY: MMSTROH | CHECKED BY: MKIPPER | APPROVED BY: FSMITH |

