

FEATURES AND SPECIFICATIONS

Features and Benefits

- Double strain relief construction
- To terminate flat oval telephone cord to REA Bulletin 345-80, PE 75

Reference Information

Product Specification: PS-87031
 Packaging: Bag
 UL File No.: E107635(N)
 Mates With: FCC 68 jacks
 Designed In: Inches

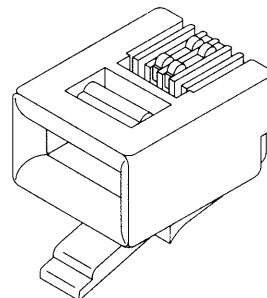
Electrical

Voltage: 125V
 Current: 1.5A
 Contact Resistance: 20mΩ max.
 Dielectric Withstanding Voltage: 1000V AC rms
 Insulation Resistance: 500 MΩ min.

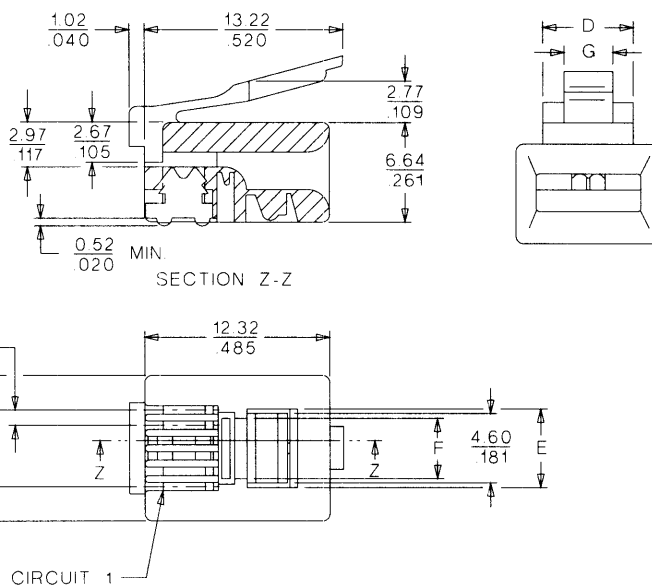
Physical

Housing: Natural polycarbonate, UL 94V-2
 Contact: Phosphor Bronze
 Plating: See Table
 Operating Temperature: -40 to +60°C

87031
FCC 68
6 and 4 Position



CATALOG DRAWING (FOR REFERENCE ONLY)



Modular Plugs and Jacks

ORDERING INFORMATION AND DIMENSIONS

Circuits	Loaded Contacts	Order No.			Dimension			
		Plating No. 1	Plating No. 2	Plating No. 3	A	B	E	F
4	4	87031-0413	87031-0423	87031-0433	7.62 (.300)	3.05 (.120)	5.21 (.205)	4.60 (.181)
6	2	87031-0615	87031-0625	87031-0635	9.65 (.380)	5.08 (.200)	5.21 (.205)	4.60 (.181)
6	4	87031-0617	87031-0627	87031-0637	9.65 (.380)	5.08 (.200)	5.21 (.205)	4.60 (.181)
6	6	87031-0619	87031-0629	87031-0639	9.65 (.380)	5.08 (.200)	6.98 (.275)	4.60 (.181)

Plating No. 1: 0.76µm (30µ") min. Gold in contact area, 1.27µm (50µ") min. Tin/Lead in pierce area both over Nickel
 Plating No. 2: 1.27µm (50µ") min. Gold in contact area, 1.27µm (50µ") min. Tin/Lead in pierce area both over Nickel
 Plating No. 3: 0.38µm (15µ") min. Gold in contact area, 1.27µm (50µ") min. Tin/Lead in pierce area both over Nickel