



# NESSCAP® Ultracapacitor Products

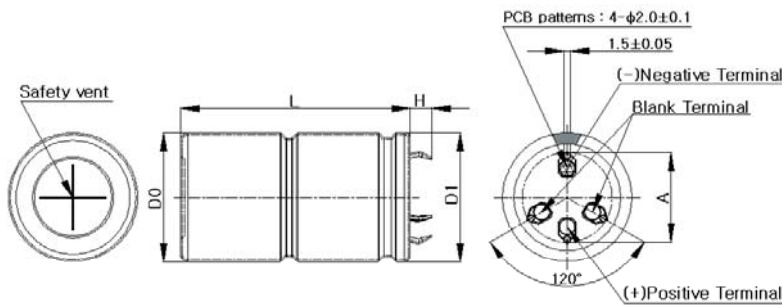
## Features

EDLC(Electric Double Layer Capacitor)  
 Four snap-in terminals and radial design  
 Compliant with RoHS requirement ( Ex : Cd, Pb)



## Dimension

Dimension in mm (not to scale)



Capacitance (F)	Dimension (mm)				
	D0 (+0.3)	D1 (+0.3)	L (+0.5)	H (±0.2)	A (±0.1)
360	35.5	35.7	63.5	5.6	22.5

**CAUTION:** The blank terminal is optional. Please use the blank terminals for mechanical support only. The blank terminals must not be connected to a solder trace on the PC board, but be electrically isolated from negative or positive terminal.

## Product & Spec.

Rated Capacitance (F)	Internal Resistance (mΩ)		Max. Current (A)	Leakage Current (mA)	Stored Energy (Wh)	Specific Energy (Wh/kg)	Weight (g)	Part Number
	AC(100Hz)	DC						
360	< 3.2	< 3.2	226	< 0.75	0.365	5.45	67.0	ESHSR-0360C0-002R7A

Rated Voltage, $V_R$	2.7 V	
Surge Voltage	2.85 V	
Capacitance Tolerance	0% / +20%	
Operating Temperature Range	-40 ~ 65 °C	$ \Delta C  < 5\%$ and $\Delta ESR < 0.5$ times of initially measured value at 25°C, respectively
Storage Temperature Range	-40 ~ 70 °C	
Life Time at RT <sup>(1)</sup>	10 years	(1) $ \Delta C  < 20\%$ and $\Delta ESR < 1$ times of initially specified value, respectively and LC < specified value
Cycle Life (25°C) <sup>(1)(2)</sup>	500,000 cycles	(2) Cycle : between rated voltage and half rated voltage under constant current at 25°C

※ Life time is provisional value

© NESSCAP 2008. All Rights reserved. Design, Specifications are subjected to change without notice.

Nesscap Co., Ltd.  
 (446-901) 750-8, Gomae-dong, Giheung-gu, Yongin-si, Gyeonggi-do, Korea  
 Tel: +82-31-289-0721 Fax: +82-31-286-6767 e-mail: marketing@nesscap.com  
[www.nesscap.com](http://www.nesscap.com)

ISO 9001, ISO 14001, TS 16949