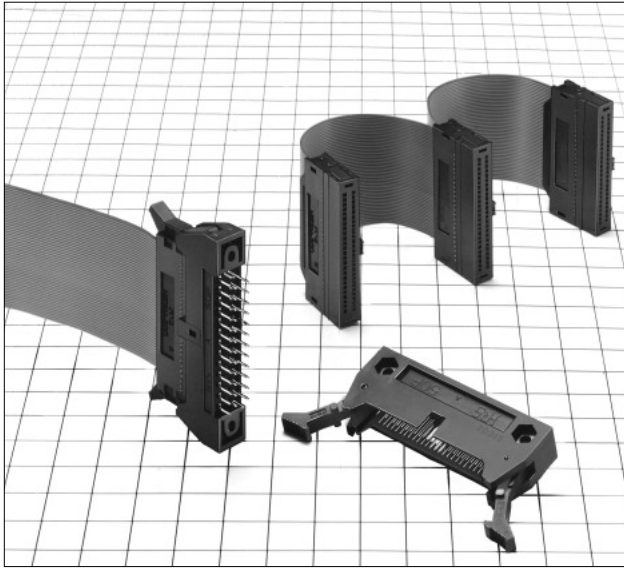


0.635mm Pitch ID Cable Connector

HIF6H Series



■ Features

1. Batch Insulation Displacement of 0.635mm Pitch ID Cable Connector

The 0.635mm pitch cable can be insulated and displaced at a time. HIF6 series is displaced two sheets cable with one sheet cable.

2. Applicable Cable AWG#30

The applicable cable is AWG#30 cable.

3. Achieve Bus-line Connection

This connector allows connection to No. 1 pin. By changing the cover, bus-line connection can be allowed.

4. Compatibility

This connector allows engagement with the HIF6A(B) series header. However, the lock header is used for the HIF6H series only.

Note: HIF6H series should be ordered together with the cable.

■ Applications

Computers, peripheral terminal equipment, various kinds of business machines.

■ Product Specifications

Rating	Current rating : 0.5A Voltage rating : 125V AC	Operating Temperature Range : -55 to +85°C(Note 1) Operating Moisture Range : 40 to 80%	Storage Temperature Range : -10 to +60°C(Note 2) Storage Humidity Range : 40 to 70%(Note 2)
--------	---	--	--

Item	Specification	Condition
1. Insulation Resistance	1000M ohms min.	250V DC
2. Withstanding voltage	No flashover or insulation breakdown.	300V AC/1 minute
3. Contact Resistance	30m ohms max.	0.1A
4. Vibration	No electrical discontinuity of 1 μ s or more	Frequency: 10 to 55 Hz, single amplitude of 0.75 mm, 2 hours in each of the 3 directions.
5. Humidity (Steady state)	Insulation resistance: 1000M ohms min.	96 hours at temperature of 40°C and humidity of 90% to 95%
6. Temperature Cycle	No damage, cracks, or parts looseness.	(-65°C: 30 minutes -> 15 to 35°C: 5 minutes max. 125°C: 30 minutes-> 15 to 35°C: 5 minutes max.) 5 cycles
7. Durability (Mating/un-mating)	Contact resistance: 30m ohms max.	500 cycles
8. Resistance to Soldering heat	No deformation of components affecting performance.	Flow: 260°C for 10 seconds Manual soldering: 300°C for 3 seconds

Note 1: Includes temperature rise caused by current flow.

Note 2: The term "storage" refers to products stored for long period of time prior to mounting and use. Operating Temperature Range and Humidity range covers non conducting condition of installed connectors in storage, shipment or during transportation.

■ Material

Part	Material	Finish	Remarks
Insulator	PBT	Black	UL94V-0
Socket Contact	Copper alloy	Selective gold plated	—
Pin header contact	Brass		

■ Ordering Information

● Pin Header

HIF6 H - * P A - 1.27 DSA
 ① ② ③ ④ ⑤ ⑥ ⑦

①	Series Name	: HIF 6
②	H	: Standard type
③	Number of contacts	: 34, 40, 50, 60, 80, 100
④	P	: Pin header
⑤	A	: Selective gold plating
⑥	Contact Pitch	: 1.27mm
⑦	Contact style	: DS : Right angle type DSA: Straight type

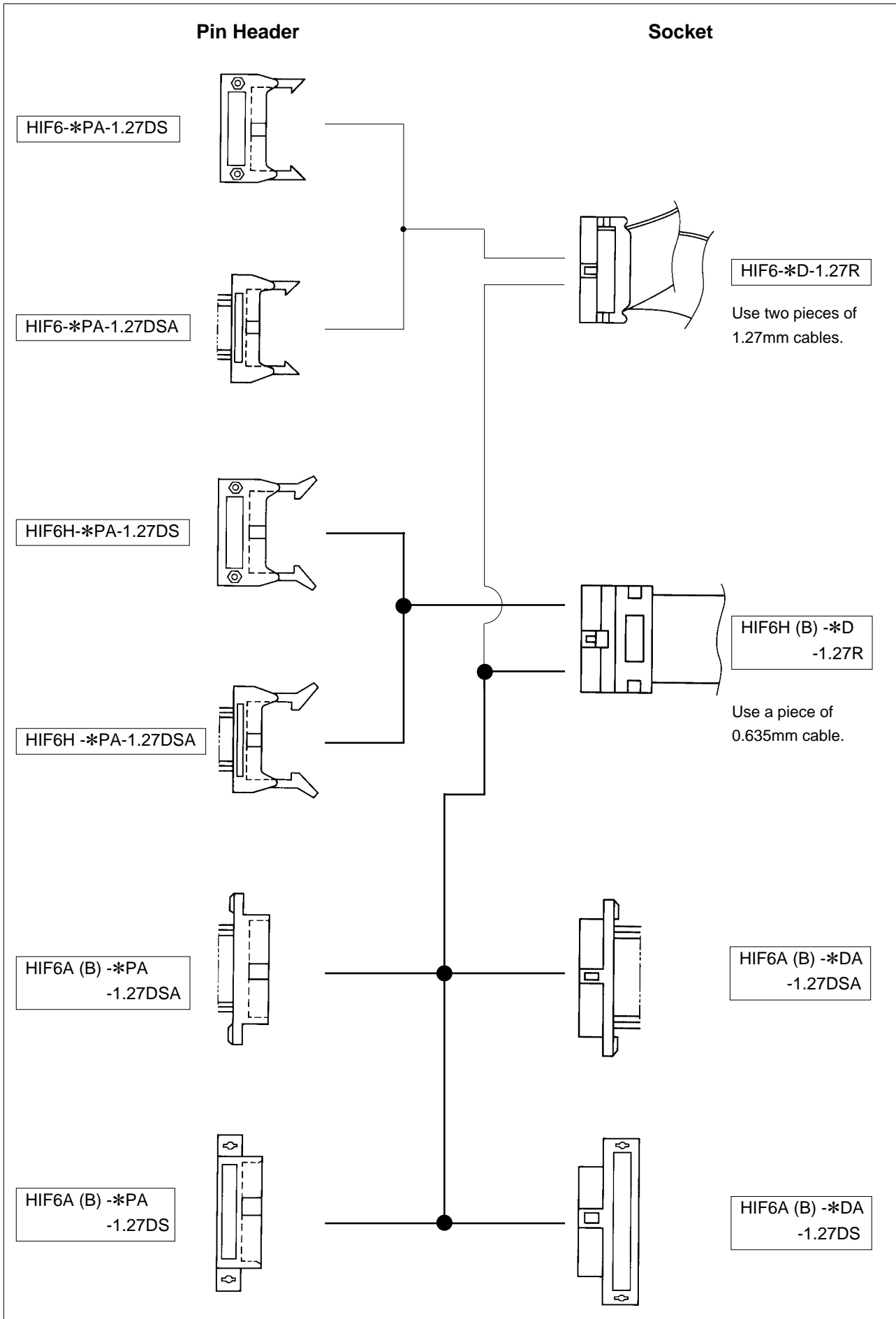
● Socket

HIF6 H - * D - 1.27 R
 ① ② ③ ④ ⑤ ⑥

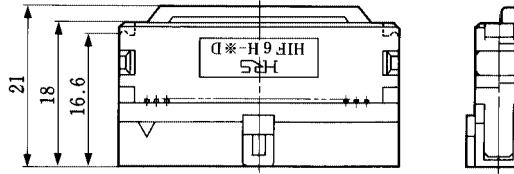
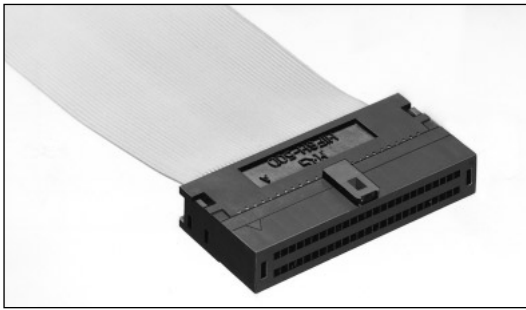
①	Series Name	: HIF 6
②	H	: Standard type HB : Bus connection type
③	Number of contacts	: 34, 40, 50, 60, 80, 100
④	D	: Socket
⑤	Contact Pitch	: 1.27mm
⑥	R	: ID type

* If needed, please order HIF6H series connectors with cable attached.
Designate the connection circuit and cable length.

◆Function Block Chart

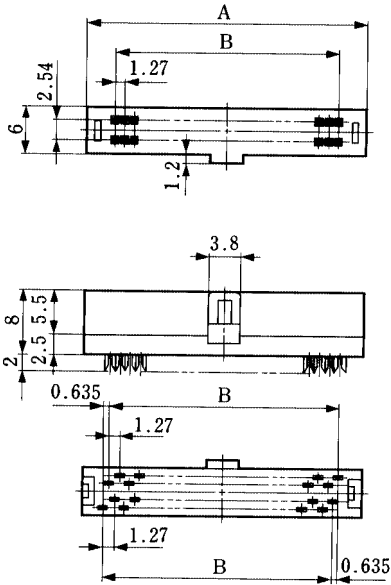


Socket

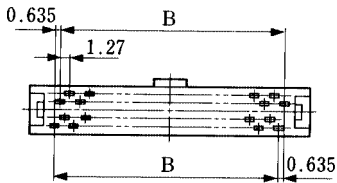


Combination Pattern

Body

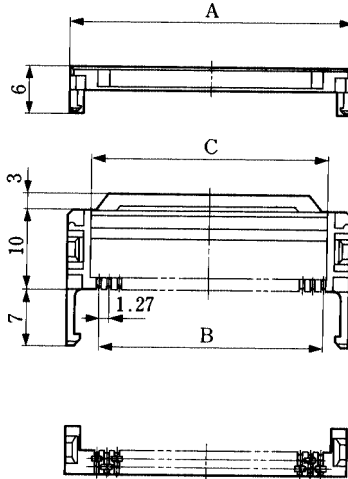


(40.60.80.100 contacts)

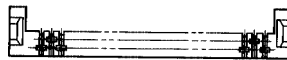


(34.50 contacts)

Cover B

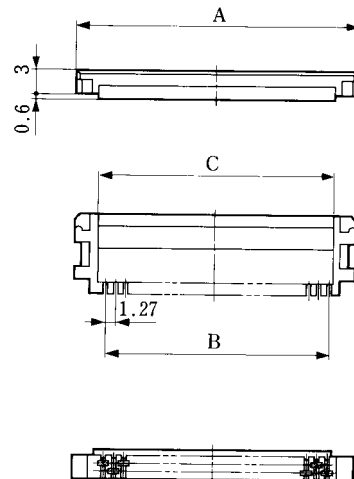


(40.60.80.100 contacts)



(34.50 contacts)

Cover A



(40.60.80.100 contacts)



(34.50contacts)

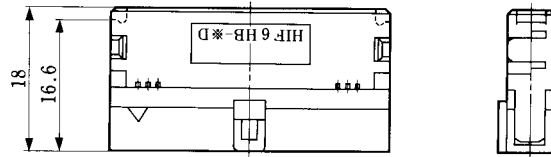
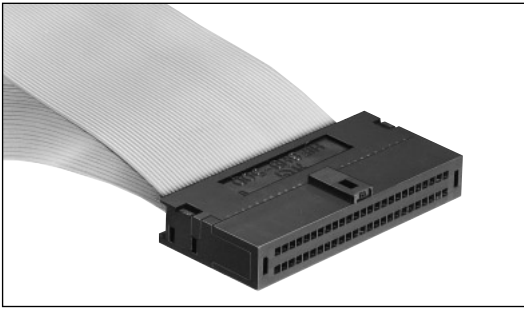
Unit: mm

Part Number	CL No.	Number of Contacts	A	B	C
HIF6H- 34D-1.27R	630-0156-0	34	27.44	20.32	21.84
HIF6H- 40D-1.27R	630-0151-7	40	31.25	24.13	25.65
HIF6H- 50D-1.27R	630-0152-0	50	37.60	30.48	32.00
HIF6H- 60D-1.27R	630-0153-2	60	43.95	36.83	38.35
HIF6H- 80D-1.27R	630-0154-5	80	56.65	49.53	51.05
HIF6H-100D-1.27R	630-0155-8	100	69.35	62.23	63.75

* If needed, please order HIF6H series connectors with cable attached.

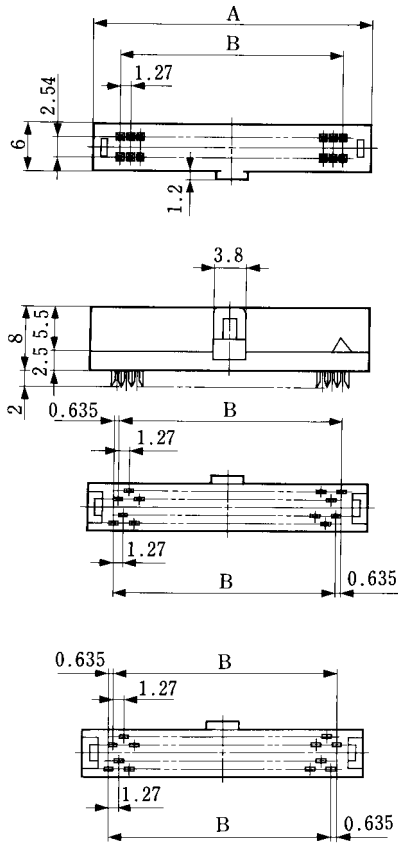
Designate the connection circuit and cable length on catalog pages B72 and B73.

■Socket for bus-line connection



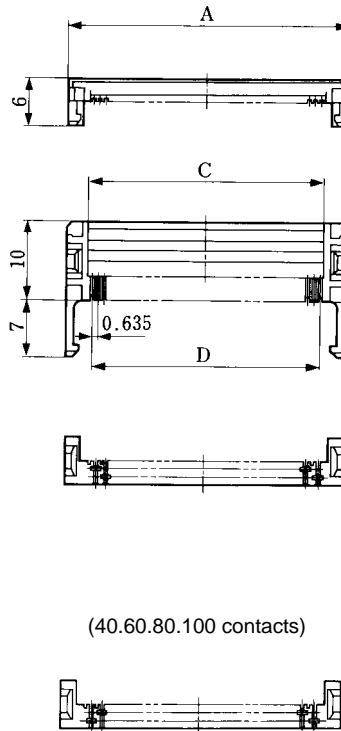
Combination Pattern

Body



(34.50 contacts)

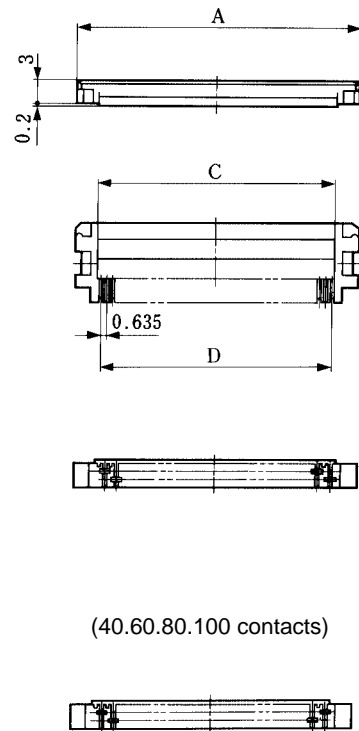
Cover B



(40.60.80.100 contacts)

(34.50 contacts)

Cover A



(40.60.80.100 contacts)

(34.50contacts)

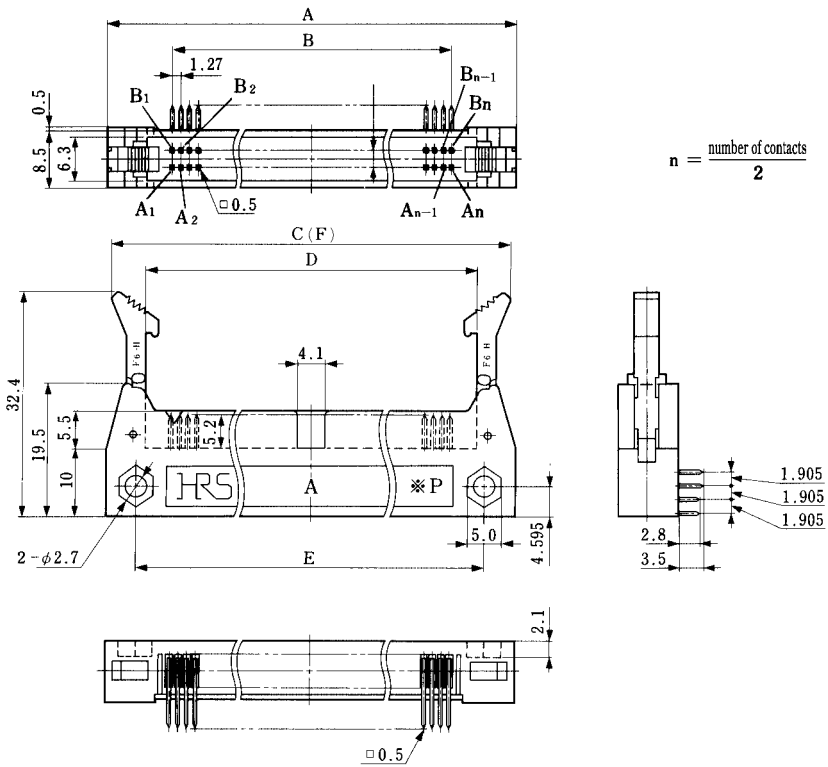
Unit: mm

Part Number	CL No.	Number of Contacts	A	B	C	D
HIF6HB- 34D-1.27R	630-0181-8	34	27.44	20.32	21.84	20.955
HIF6HB- 40D-1.27R	630-0182-0	40	31.25	24.13	25.65	24.765
HIF6HB- 50D-1.27R	630-0183-3	50	37.60	30.48	32.00	31.115
HIF6HB- 60D-1.27R	630-0184-6	60	43.95	36.83	38.35	37.465
HIF6HB- 80D-1.27R	630-0185-9	80	56.65	49.53	51.05	50.165
HIF6HB-100D-1.27R	630-0186-1	100	69.35	62.23	63.75	62.865

* Please order HIF6H series connectors with cable attached.

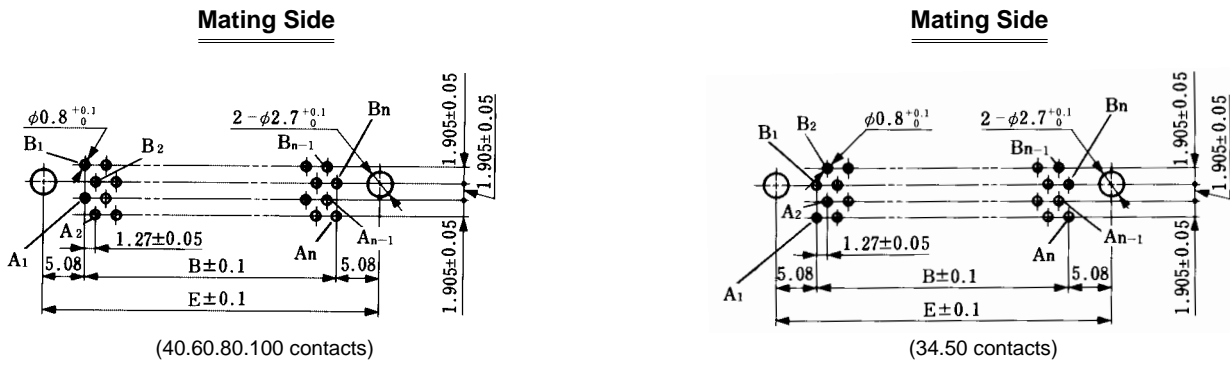
Designate the connection circuit and cable length on pages B72 and B73.

Right Angle Pin Header



PCB mounting pattern

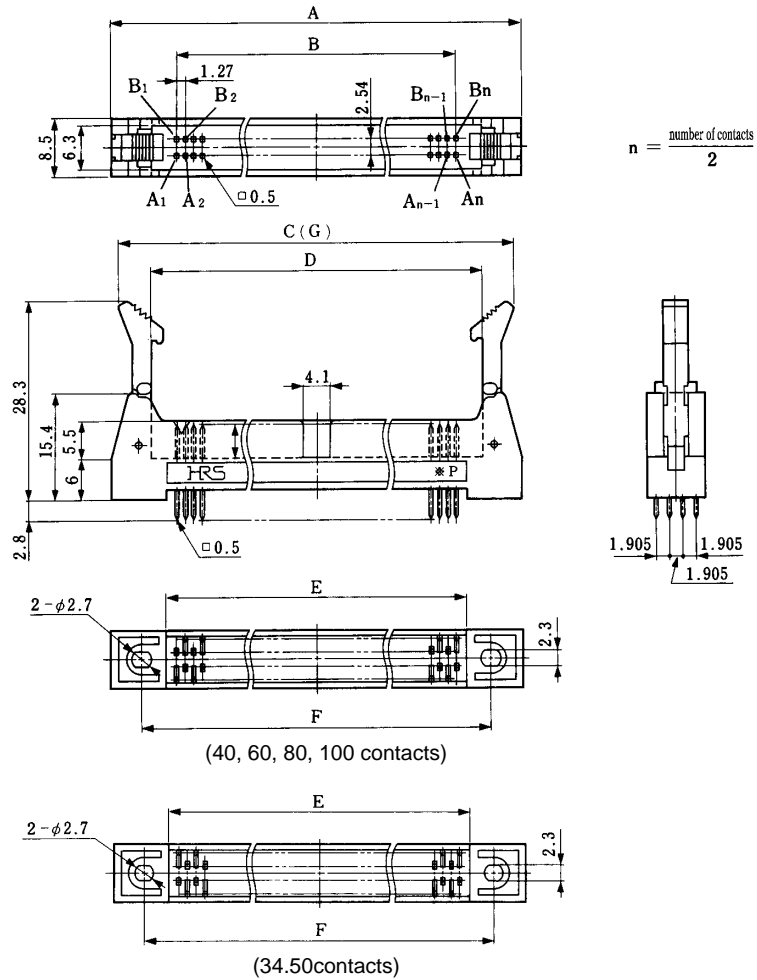
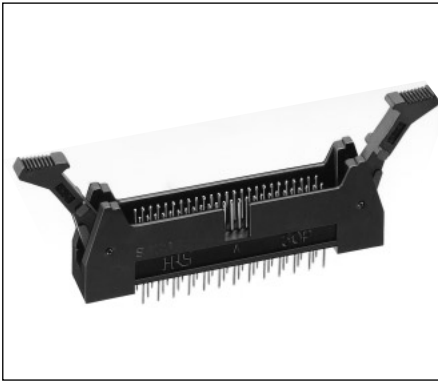
● indicates mark positions.



Unit: mm

Part Number	CL No.	Number of Contacts	A	B	C	D	E	F
HIF6H- 34PA-1.27DS	630-0166-4	34	39.84	20.32	38.24	27.64	30.48	59.64
HIF6H- 40PA-1.27DS	630-0161-0	40	43.65	24.13	42.05	31.45	34.29	63.45
HIF6H- 50PA-1.27DS	630-0162-3	50	50.00	30.48	48.00	37.80	40.64	69.80
HIF6H- 60PA-1.27DS	630-0163-6	60	56.35	36.83	54.75	44.15	46.99	76.15
HIF6H- 80PA-1.27DS	630-0164-9	80	69.05	49.53	67.45	56.85	59.69	88.85
HIF6H-100PA-1.27DS	630-0165-1	100	81.75	62.23	80.15	69.55	72.39	101.55

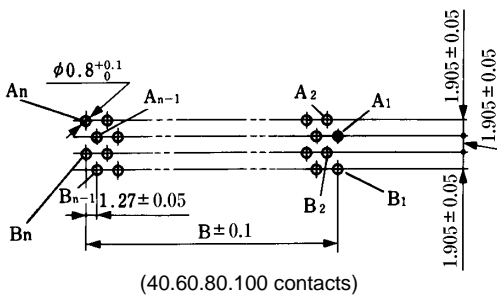
■Straight Pin Header



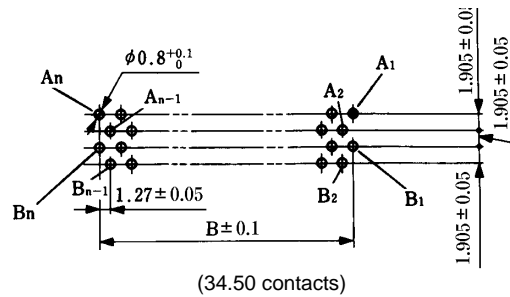
◆PCB mounting pattern

● indicates mark positions.

Guide Key Side



Guide Key Side

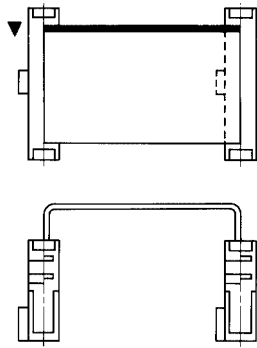


Unit: mm

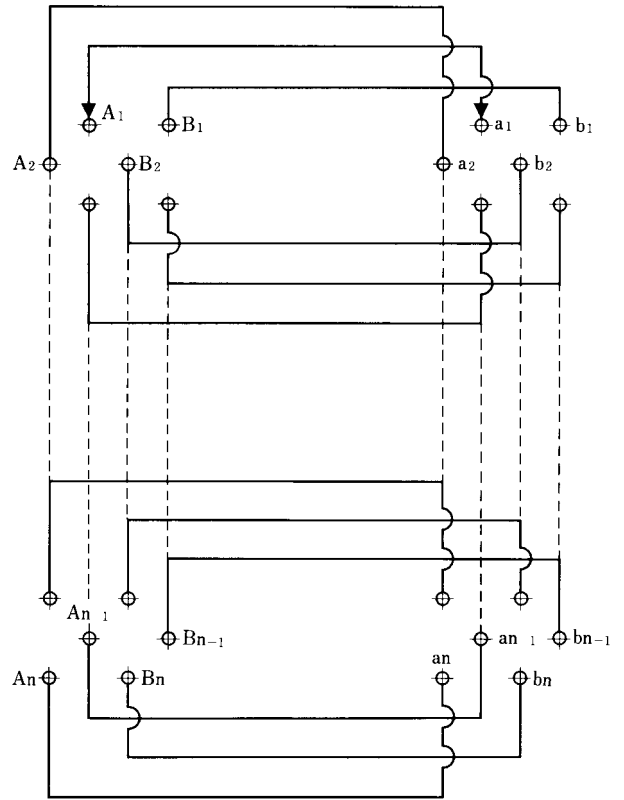
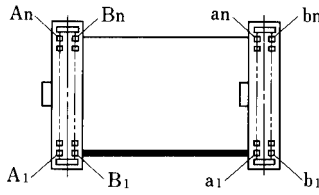
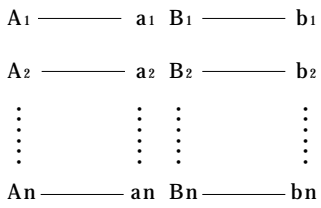
Part Number	CL No.	Number of Contacts	A	B	C	D	E	F	G
HIF6H- 34PA-1.27DSA	630-0176-8	34	39.84	20.32	38.24	27.64	23.84	30.48	59.64
HIF6H- 40PA-1.27DSA	630-0171-4	40	43.65	24.13	42.05	31.45	27.65	34.29	63.45
HIF6H- 50PA-1.27DSA	630-0172-7	50	50.00	30.48	48.00	37.80	34.00	40.64	68.80
HIF6H- 60PA-1.27DSA	630-0173-0	60	56.35	36.83	54.75	44.15	40.35	46.99	76.15
HIF6H- 80PA-1.27DSA	630-0174-2	80	69.05	49.53	67.45	56.85	53.05	59.69	88.85
HIF6H-100PA-1.27DSA	630-0175-5	100	81.75	62.23	80.15	69.55	65.75	72.39	101.55

◆ Connection Circuit Diagram 40, 60, 80 and 100 contacts

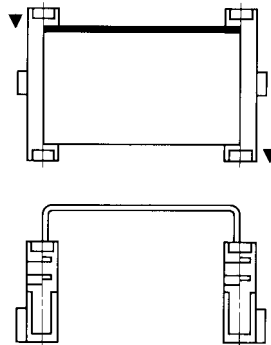
Type AA



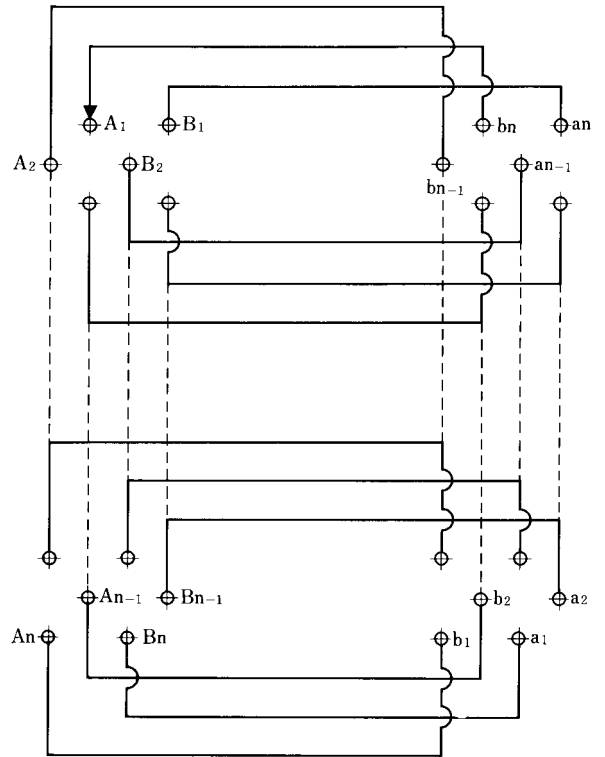
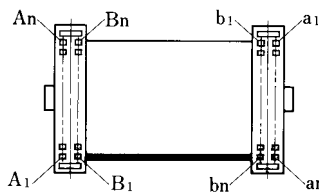
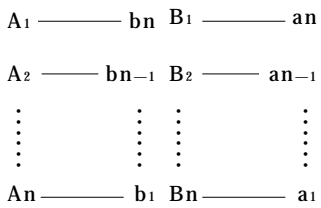
Cable connection



Type AB

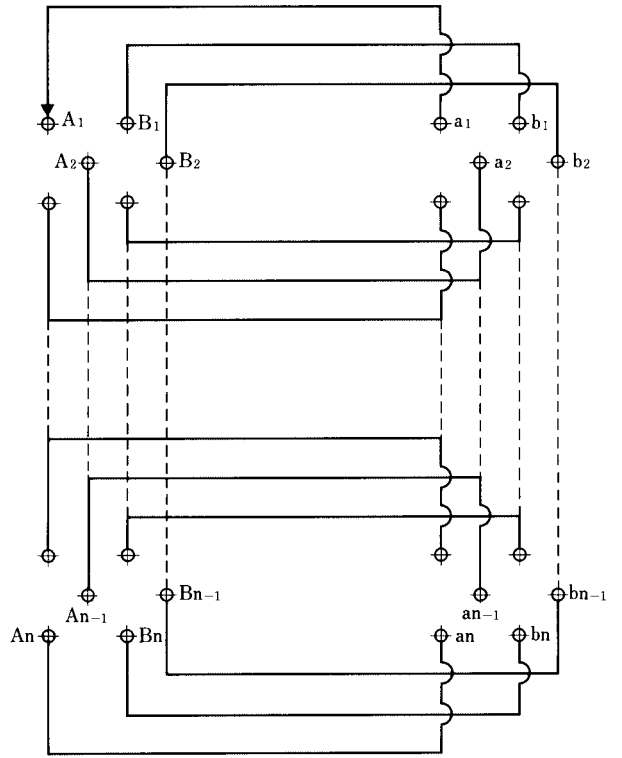
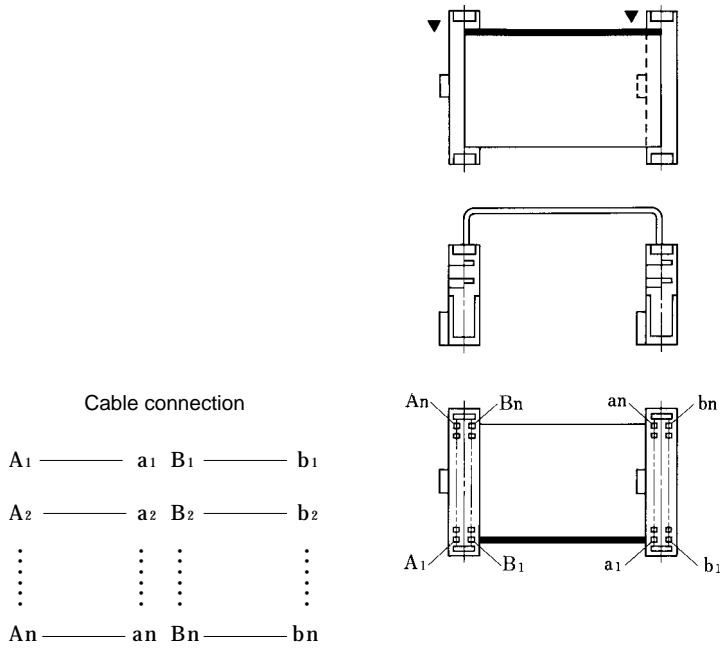


Cable connection



◆ Connection Circuit Diagram 34, 50 contacts

Type AA



Type AB

