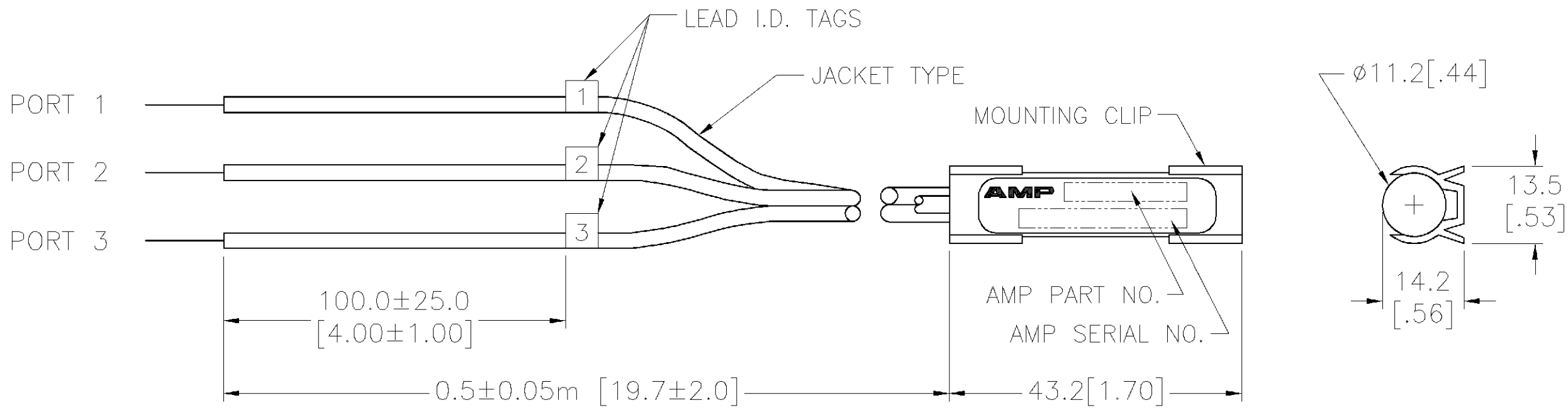


THIS DRAWING IS UNPUBLISHED. RELEASED FOR PUBLICATION
 © COPYRIGHT BY TYCO ELECTRONICS CORPORATION. ALL RIGHTS RESERVED.

LOC	DIST	REVISIONS					
EA	17	P	LTR	DESCRIPTION	DATE	DWN	APVD
			D	REVISE PER ECN 0A10-0222-01	07NOV01	SU	JM



SPECIFICATIONS:

UNCONNECTORIZED INSERTION LOSS
 (PER FOTP-34, METHOD A):
 MUX 1.2dB MAX 0.9dB TYP.
 DEMUX 1.3dB MAX 0.9dB TYP.

DIRECTIVITY:
 TYPICAL: >55dB
 MINIMUM: >45dB

WAVELENGTH BANDPASS (nm):
 TYPICAL: 120nm
 MINIMUM: 100nm

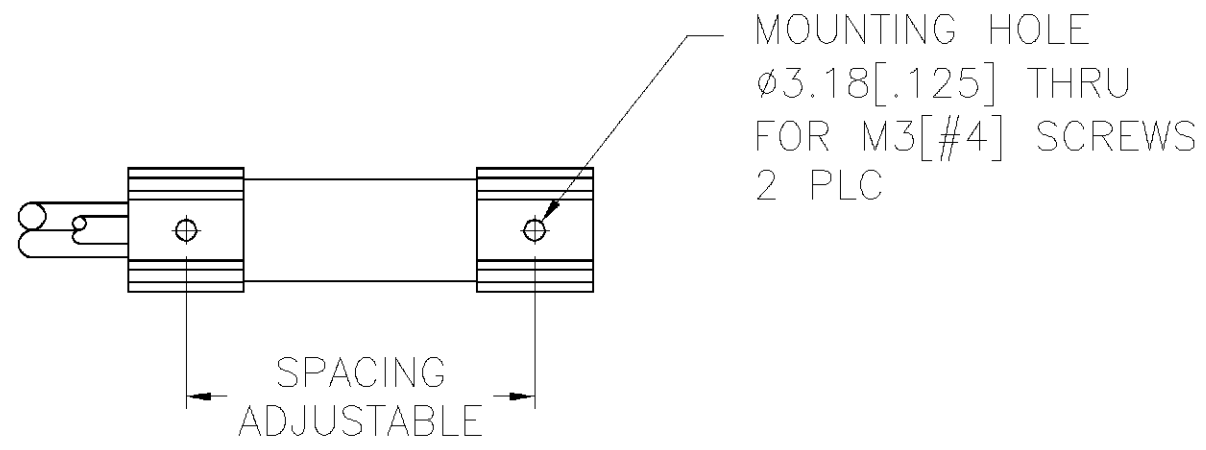
RETURN LOSS (REFLECTANCE):
 MUX - MINIMUM: 35dB
 DEMUX -

PORT 1 ≤-13dB
 PORT 2 ≤-15dB
 PORT 3 ≤-35dB

WITHOUT CONNECTORS

ISOLATION:
 MUX & DEMUX 35dB MIN (TYP. 42dB)

OPERATING TEMPERATURE: -40°C TO +65°C
 STORAGE TEMPERATURE: -40°C TO +75°C

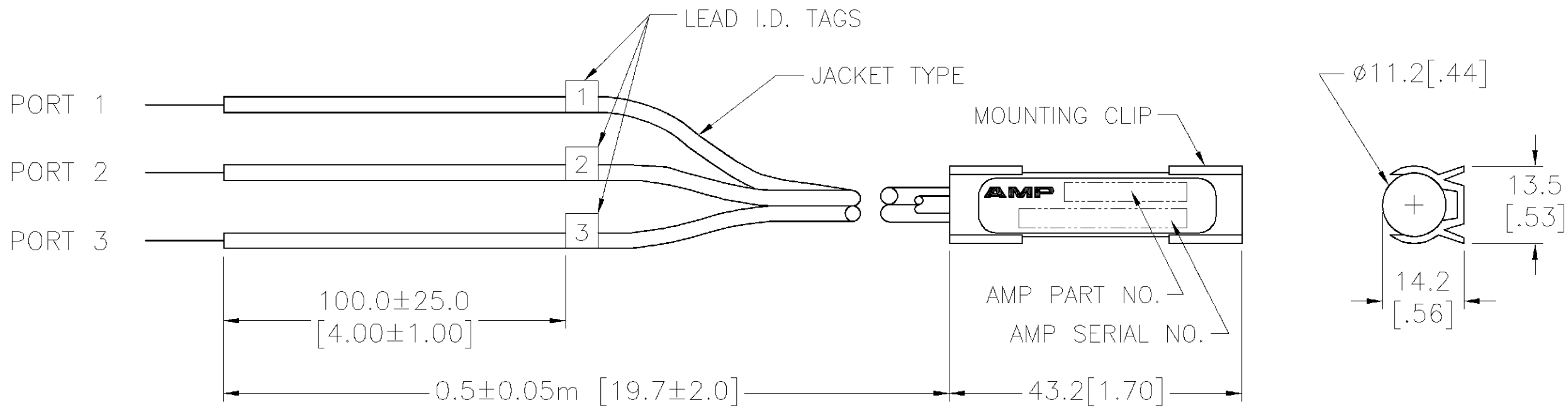


PART NUMBER	FIBER TYPE	JACKET TYPE
99111-1	50/125/250	3mm
99111-2	62.5/125/250	3mm
9-99111-1	50/125/250	900µm
9-99111-2	62.5/125/250	900µm

THIS DRAWING IS A CONTROLLED DOCUMENT.		DWN D. HEINTZ 14DEC94	Tyco Electronics Corporation Harrisburg, PA 17057	
DIMENSIONS: MM [INCHES]		CHK A. McCLISH 15DEC96		
TOLERANCES UNLESS OTHERWISE SPECIFIED:		APVD A. McCLISH 15DEC96	NAME	
0 PLC ± - 1 PLC ± 1.0 [.04] 2 PLC ± 0.38 [.015] 3 PLC ± - 4 PLC ± - ANGLES ± 2'		PRODUCT SPEC		WDM, MUX OR DEMUX, 1310/1510nm
MATERIAL		APPLICATION SPEC		
FINISH		WEIGHT	SIZE	CAGE CODE
-		-	A3	00779
		DRAWING NO		RESTRICTED TO
		C-99111		-
CUSTOMER DRAWING		SCALE	SHEET	REV
		NTS	1 OF 1	D

THIS DRAWING IS UNPUBLISHED. RELEASED FOR PUBLICATION
 © COPYRIGHT BY TYCO ELECTRONICS CORPORATION. ALL RIGHTS RESERVED.

LOC	DIST	REVISIONS					
EA	17	P	LTR	DESCRIPTION	DATE	DWN	APVD
			D	REVISE PER ECN 0A10-0222-01	07NOV01	SU	JM



SPECIFICATIONS:

UNCONNECTORIZED INSERTION LOSS
 (PER FOTP-34, METHOD A):
 MUX 1.2dB MAX 0.9dB TYP.
 DEMUX 1.3dB MAX 0.9dB TYP.

DIRECTIVITY:
 TYPICAL: >55dB
 MINIMUM: >45dB

WAVELENGTH BANDPASS (nm):
 TYPICAL: 120nm
 MINIMUM: 100nm

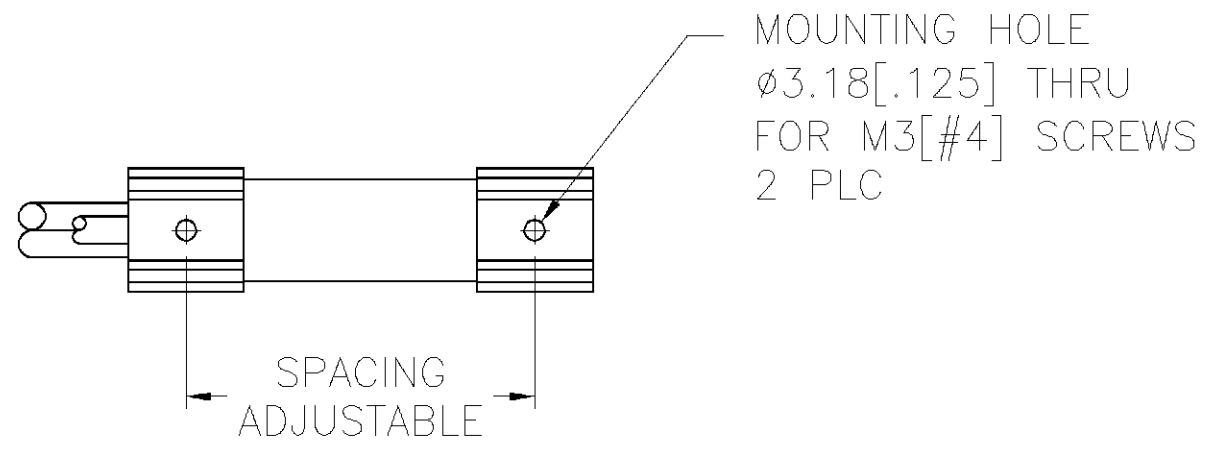
RETURN LOSS (REFLECTANCE):
 MUX - MINIMUM: 35dB
 DEMUX -

PORT 1 ≤ -13dB
 PORT 2 ≤ -15dB
 PORT 3 ≤ -35dB

WITHOUT CONNECTORS

ISOLATION:
 MUX & DEMUX 35dB MIN (TYP. 42dB)

OPERATING TEMPERATURE: -40°C TO +65°C
 STORAGE TEMPERATURE: -40°C TO +75°C



PART NUMBER	FIBER TYPE	JACKET TYPE
99111-1	50/125/250	3mm
99111-2	62.5/125/250	3mm
9-99111-1	50/125/250	900µm
9-99111-2	62.5/125/250	900µm

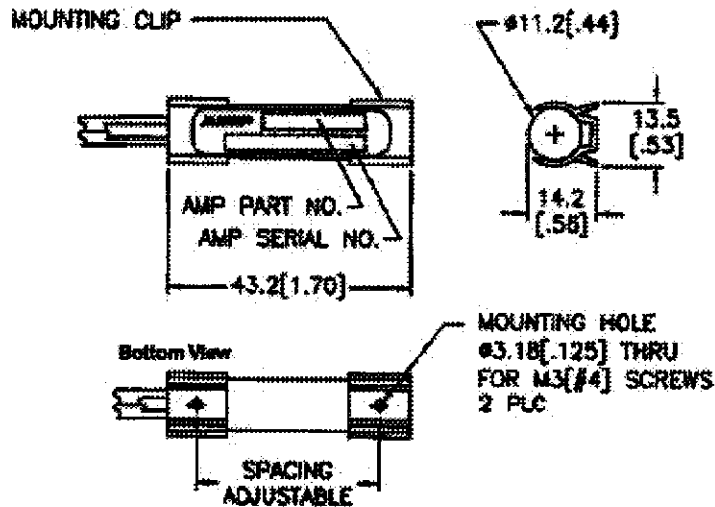
THIS DRAWING IS A CONTROLLED DOCUMENT.		DWN D. HEINTZ 14DEC94	Tyco Electronics Corporation Harrisburg, PA 17057			
DIMENSIONS: MM [INCHES]		CHK A. McCLISH 15DEC96				
TOLERANCES UNLESS OTHERWISE SPECIFIED:		APVD A. McCLISH 15DEC96	NAME			
0 PLC ± - 1 PLC ± 1.0 [.04] 2 PLC ± 0.38 [.015] 3 PLC ± - 4 PLC ± - ANGLES ± 2'		PRODUCT SPEC	WDM, MUX OR DEMUX, 1310/1510nm			
MATERIAL		APPLICATION SPEC	SIZE	CAGE CODE	DRAWING NO	RESTRICTED TO
-		WEIGHT	A3	00779	C-99111	-
CUSTOMER DRAWING			SCALE	SHEET	REV	
			NTS	1 OF 1	D	

**Singlemode and Multimode
Lensed WDM's (Continued)**

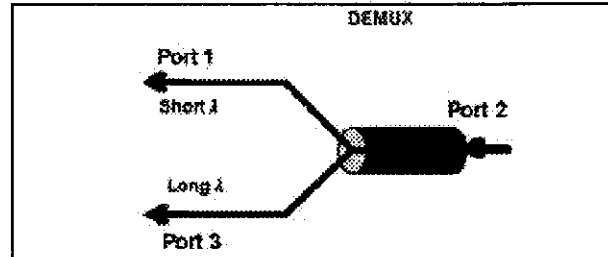
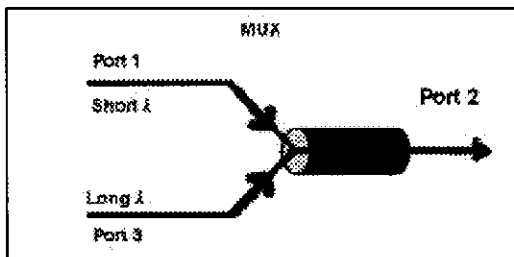
Part Numbers

Fiber	.5m Cable Length	Connector	850/1310 nm	1310/1550 nm
			MUX or DEMUX	MUX or Demux
50/125 Multimode	3mm	ST	99102-2	99105-2
	3mm	None	99108-1	—
	900µm	ST	9-99102-2	—
	900µm	None	9-99108-1	9-99111-1
62.5/125 Multimode	3mm	ST	99102-3	99105-3
	3mm	None	99108-2	—
	900µm	ST	9-99102-3	9-99105-3
	900µm	None	9-99108-2	9-99111-2
Singlemode	3mm	FC/APC	—	99717-4
	3mm	None	—	99717-5
	3mm	FC/UPC	—	99717-6
	3mm	ST/UPC	—	99717-7
	3mm	SC/UPC	—	99717-8
	900µm	FC/APC	—	9-99717-4
	900µm	None	—	9-99717-5
	900µm	FC/UPC	—	9-99717-6
	900µm	ST/UPC	—	9-99717-7
	900µm	SC/UPC	—	9-99717-8

Note: Mux specific versions available when higher return loss required. Contact your local Tyco Electronics Sales Office.



Application



© Copyright 2001 by Tyco Electronics. All Rights Reserved. AMP and Tyco are trademarks. Dimensions in millimeters with inches in brackets. Other products, logos, and Company names mentioned herein may be trademarks of their respective owners. 1309018 - 11/01

For drawings, technical data or samples, contact your Tyco Electronics sales engineer, call 1-800-522-6752, or visit our Website at: http://www.amp.com/fiberoptics/WDBs-DWDM/wdbs-dwdm_family.stm. Specifications subject to change. Consult Tyco Electronics for latest specifications.

- [Home](#)
- [Part Number Search](#)
- [Document Search](#)
- [Text Search](#)
- [Alternate Part Search](#)
- [Multiple Part Comparison](#)
- [Alphabetical Search](#)
- [Brand Search](#)
- [Industry Product Search](#)
- [Product Type Search](#)
- [Product Family Search](#)
- [Competitor Cross Reference](#)
- [Lead Free Solutions](#)
- [Help/Glossary](#)

Current Brand View	View All Tyco Electronics Brands Click to activate links to all other products
AMP	

Fiber Optic Products

Wavelength Division Multiplexers

AMP **9-99111-1** Active [Active](#)

(Tyco Electronics P/N: 9-99111-1)

[Search for Parts](#) | Pr [Previous](#) [1](#) [2](#) [3](#) [4](#) [5](#) 6 [7](#) [8](#) [9](#) [Next](#) N

Document links for this part cannot be displayed. Your browser does not support inline frames or is currently configured not to display inline frames. Inline frames are supported in both Internet Explorer 5 and Netscape 6, as well as all later versions of these browsers.

Related Part Information		
General Information	eCommerce	Related Part Information
<ul style="list-style-type: none"> G General Info S Sales Info A Assembly Subcontractors 	<ul style="list-style-type: none"> P Pricing P Product Availability 	

Searchable Features:	
Brand:	AMP
Mode:	Multimode
Fused/Lensed:	Lensed
Fiber Size (Micron):	50/125
Cable Diameter (mm [in]):	900 micron [900 micron]
Connector Type:	None
Wavelength Bandpass (nm):	1310 – 1550
No. of Ports:	3
Port No. 1 Connector:	None
Port No. 2 Connector:	None
Port No. 3 Connector:	None

Other Properties:	
Cable Length (M [ft]):	0.50 [1.640]
Crosstalk Performance:	MUX or DEMUX
Comment:	Ports are marked with tags indicating port 1, 2, or 3

[Copyright](#) and [Privacy Statement](#)

Visit [Tyco International, Ltd.](#)

[Products](#) | [Catalog](#) | [Brands](#) | [Industries](#) | [Commerce](#) | [Supplier](#) | [Customer Service](#) | [About](#) | [Home](#)