

MINI[®] BLADE FUSE RATED 58V



Specifications

Interrupting Rating:	1000A @ 58 VDC
Voltage Rating:	58 VDC
Operating Temperature Range:	-40°C to +125°C
Terminals:	Ag plated zinc alloy
Housing Materials:	PA66
Complies with:	Meets SAE J2077 ISO 8820 UL 248 Special Purpose Fuses

Ordering Information

Part Number	Package Size
0997xxx.WXN	3000

Description

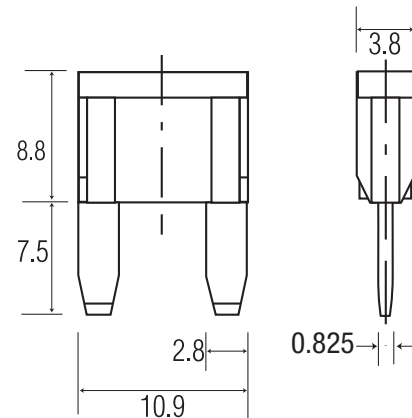
MINI[®] style fuse for use in 42V Systems. Same Time-Current characteristic as the 32V MINI[®] fuse. Fits into standard MINI[®] fuse sockets. Has a rejection feature to prevent fuses with lower voltage rating from being wrongfully inserted into the circuit. Current rating 2A - 30A @58 VDC max.

Time-Current Characteristics

% of Rating	Opening Time Min / Max (s)
110	360,000 s / -
135	0.75 s / 600 s
200	0.15 s / 5 s
350	0.080 s / 0.500 s
600	0.030 s / 0.100 s

Dimensions

Dimensions in mm



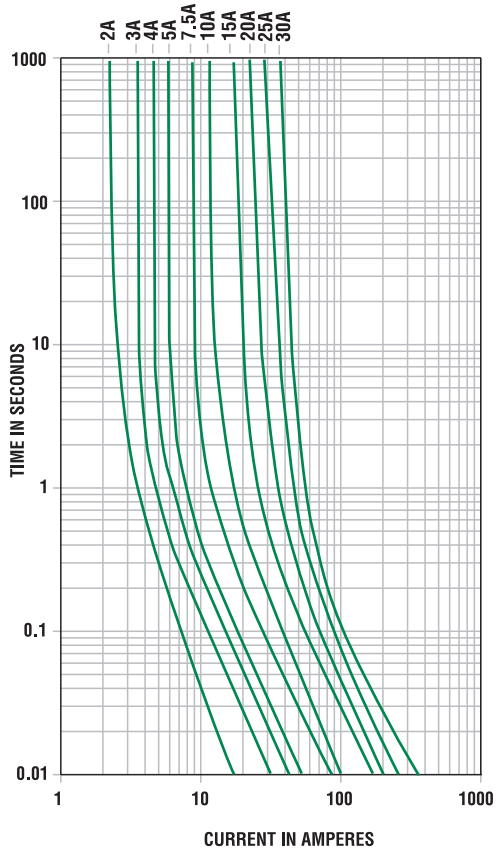
Ratings

Part Number	Current Rating	Housing Material Color	Typ. Voltage Drop	Cold Resistance	I ² t
0997002_	2 A	Grey	171 mV	55.60 mΩ	2.8 A ² s
0997003_	3 A	Purple	153 mV	33.75 mΩ	9.4 A ² s
0997004_	4 A	Pink	121 mV	23.48 mΩ	17 A ² s
0997005_	5 A	Brown	129 mV	17.75 mΩ	25 A ² s
099707.5_	7.5 A	Dark Brown	135 mV	10.85 mΩ	68 A ² s
0997010_	10 A	Red	108 mV	7.42 mΩ	93 A ² s
0997015_	15 A	Blue	98 mV	4.58 mΩ	270 A ² s
0997020_	20 A	Yellow	96 mV	3.21 mΩ	380 A ² s
0997025_	25 A	White	86 mV	2.36 mΩ	625 A ² s
0997030_	30 A	Green	87 mV	1.85 mΩ	1130 A ² s

MINI[®] BLADE FUSE RATED 58V



Time-Current Characteristic Curves



Temperature Derating Curve

