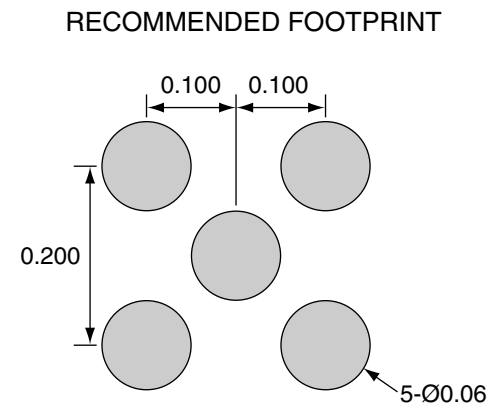
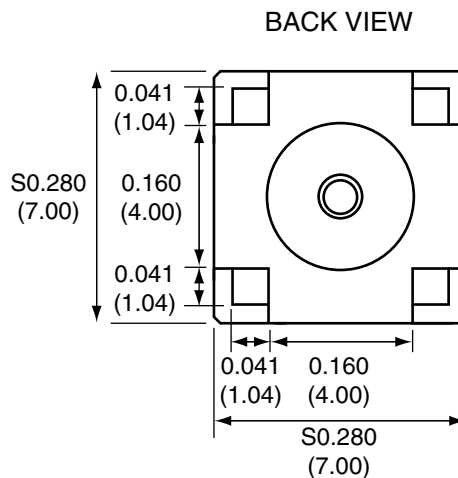
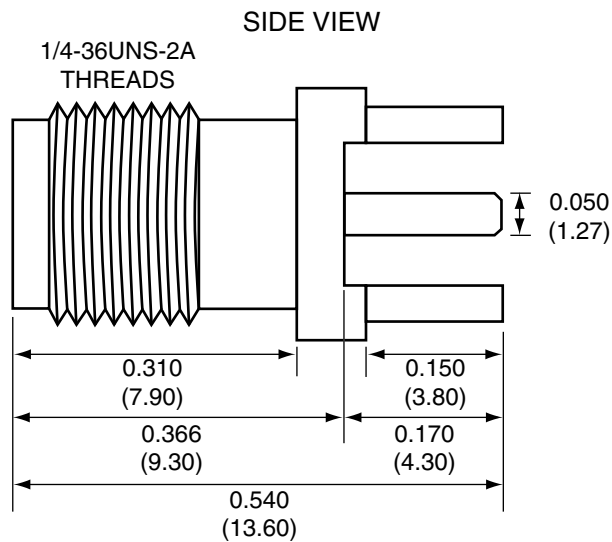


1		
Description	Material	Finish
Body	Brass	Nickel
Socket	BE CU	Gold
Insulation	Teflon	Teflon



Title		CONNECTOR CITY 159 ORT LANE MERLIN, OR 97532 PH (541)-471-6256 FAX (541)-471-6251	
SMA FEMALE PCB MOUNT			
Part No.	CON SMA001	Revision:	1.1
Dimensions:	INCHES (mm)	Date:	1/9/2008
		Sheet 1 of 1	

**CONNECTOR CITY**  
THE VALUE OF CONNECTIONS