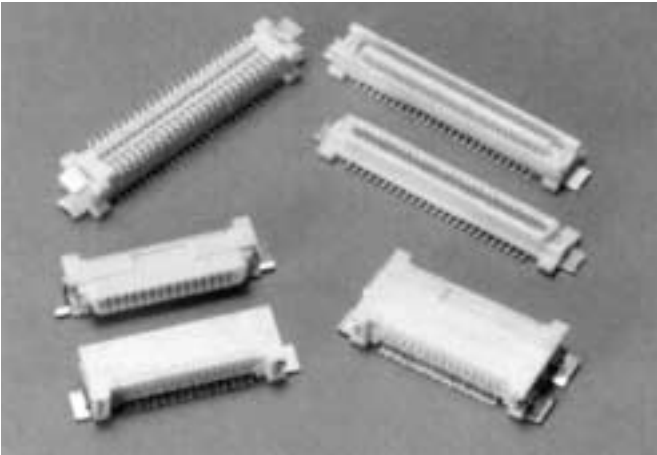


Fine Pitch SMT Board to Board Connectors

Series 5078



Series 5078 is the board to board, fine pitch and low-profile connector designed for the demand of high density circuitry in the market.

FEATURES

1.0mm pitch, 2 pieces board to board, SMT type connector. Right Angle (Plug & Receptacle) 30, 40, 50, 60, 80, 100 and 120 positions.

Straight (Plug & Receptacle) 30, 40, 50, 60, 80, 100 and 120 positions.

Lead Reflow Right Angle type is also available for such external I/O which requires a high board-retention force. The board to board mated height is 5.0mm.

SPECIFICATIONS

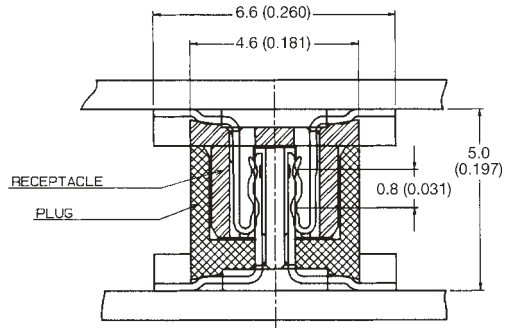
Series	5078
Number of Contacts	30, 40, 50, 60, 80, 100, 120 (Straight) 30, 40, 50, 60, 80, 100, 120 (Right Angle)
Contact Spacing	1.0mm
Current Rating	0.5A Max
Voltage Rating	100V Max
D.W. Voltage	500V rms/min
Insulator Material	PPS (UL94V-0)
Contact Material	Phosphor bronze, gold plating (contact area), solder plating (tail)
Metal Tab	Phosphor bronze, solder plating
Mating Cycles	100

Fine Pitch SMT Board to Board Connectors

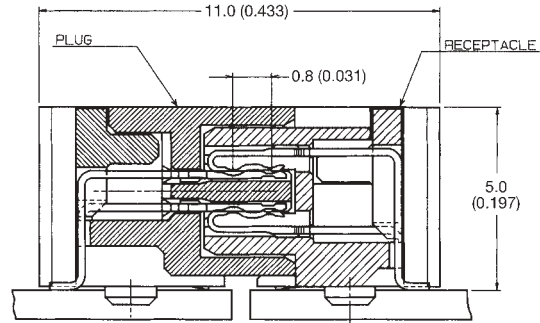
Series 5078 Applications



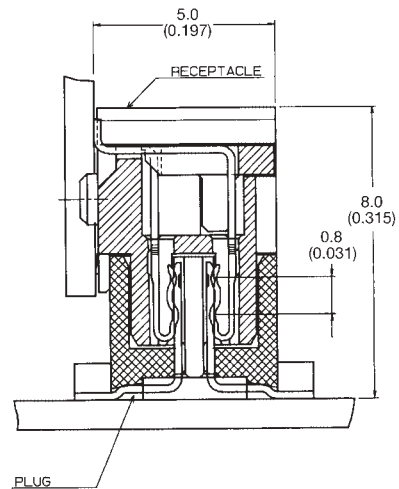
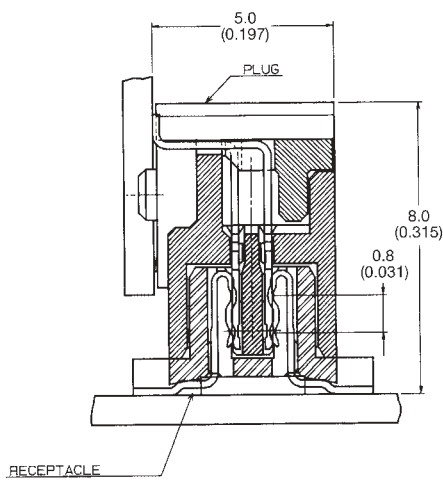
PARALLEL



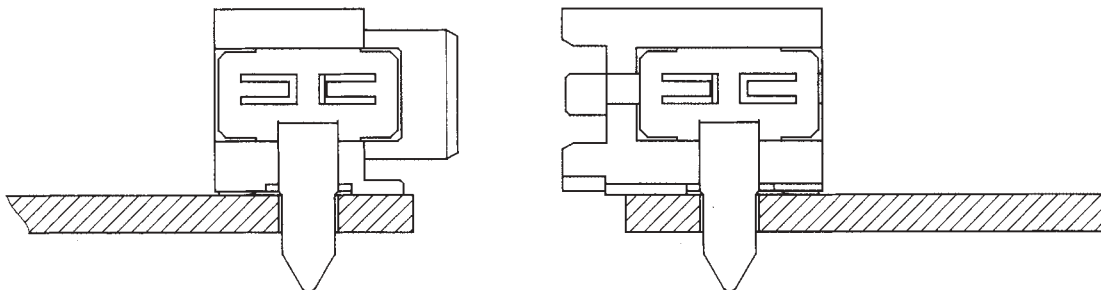
HORIZONTAL



VERTICAL



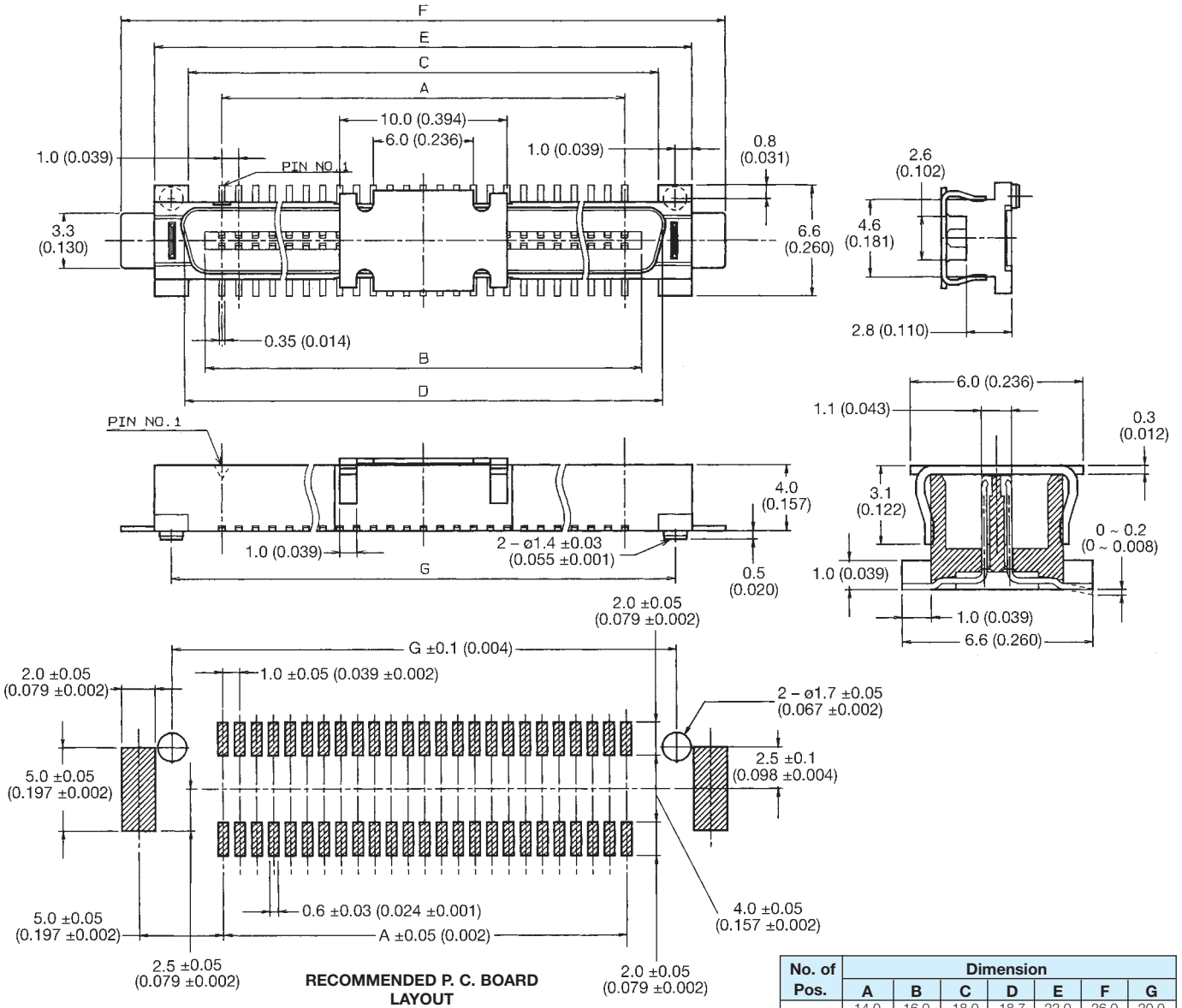
LEAD REFLOW TYPE



Fine Pitch SMT Board to Board Connectors

Series 5078

Plug Straight with Vacuum Pick Up Clip (30 - 60 Contacts)



HOW TO ORDER

14	5078	XXX	100	861
Prefix	Series Number	Number of Positions 030 040 050 060	Variation Code	Finish Code 861 = Ni Undercoated 1.2µm - 4.0µm Au overplated 0.25µm/min.

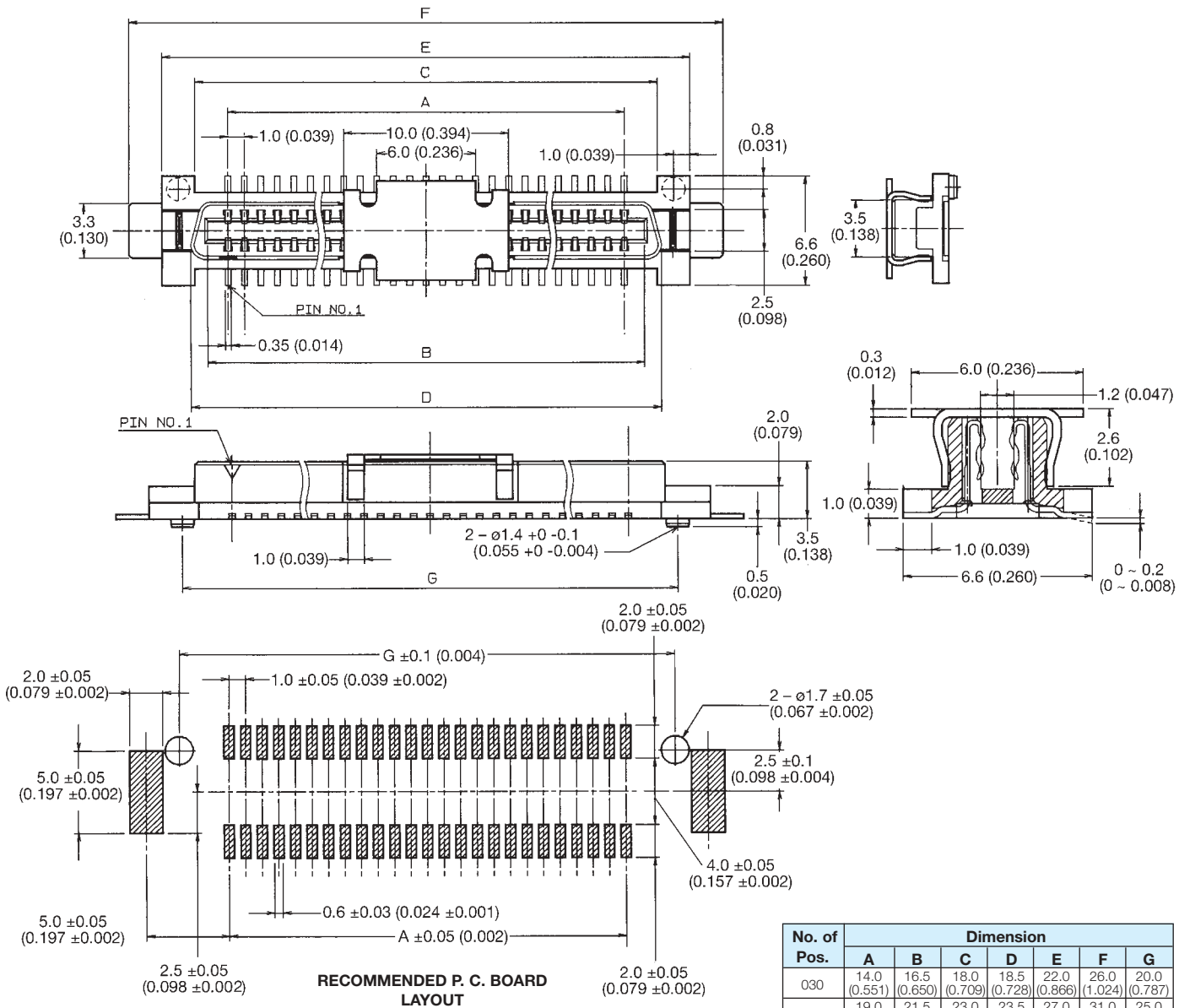
Parts are supplied in tape and reel packaging with 1000 pieces per reel.



Fine Pitch SMT Board to Board Connectors

Series 5078

Receptacle Straight with Vacuum Pick Up Clip (30 - 60 Contacts)



No. of Pos.	Dimension						
	A	B	C	D	E	F	G
030	14.0 (0.551)	16.5 (0.650)	18.0 (0.709)	18.5 (0.728)	22.0 (0.866)	26.0 (1.024)	20.0 (0.787)
040	19.0 (0.748)	21.5 (0.846)	23.0 (0.906)	23.5 (0.925)	27.0 (1.063)	31.0 (1.220)	25.0 (0.984)
050	24.0 (0.945)	26.5 (1.043)	28.0 (1.102)	28.5 (1.122)	32.0 (1.260)	36.0 (1.417)	30.0 (1.181)
060	29.0 (1.142)	31.5 (1.240)	33.0 (1.299)	33.5 (1.319)	37.0 (1.457)	41.0 (1.614)	35.0 (1.378)

HOW TO ORDER

24 | **5078** | **XXX** | **100** | **861**

Prefix | Series Number | Number of Positions | Variation Code | Finish Code

- 030
 - 040
 - 050
 - 060
- 861 = Ni underplated
1.2µm - 4.0µm
Au overplated
0.25µm

Parts are supplied in tape and reel packaging with 1000 pieces per reel.

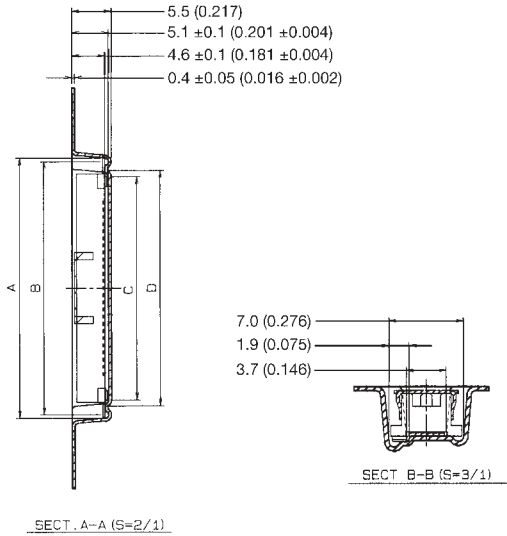
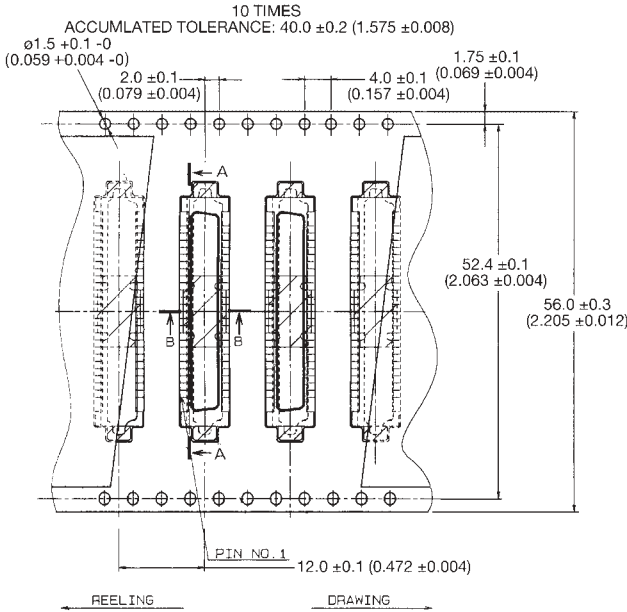


Fine Pitch SMT Board to Board Connectors

Series 5078

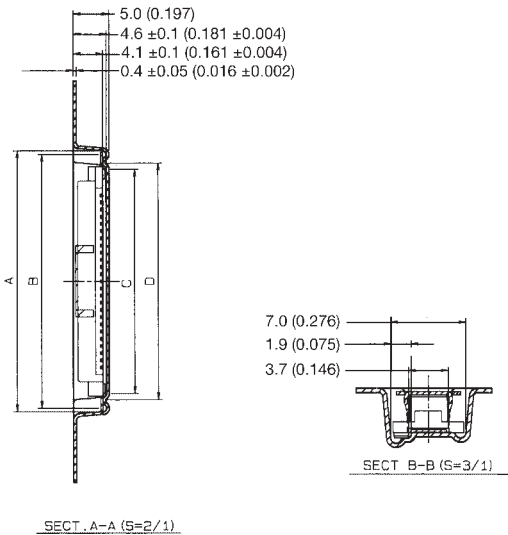
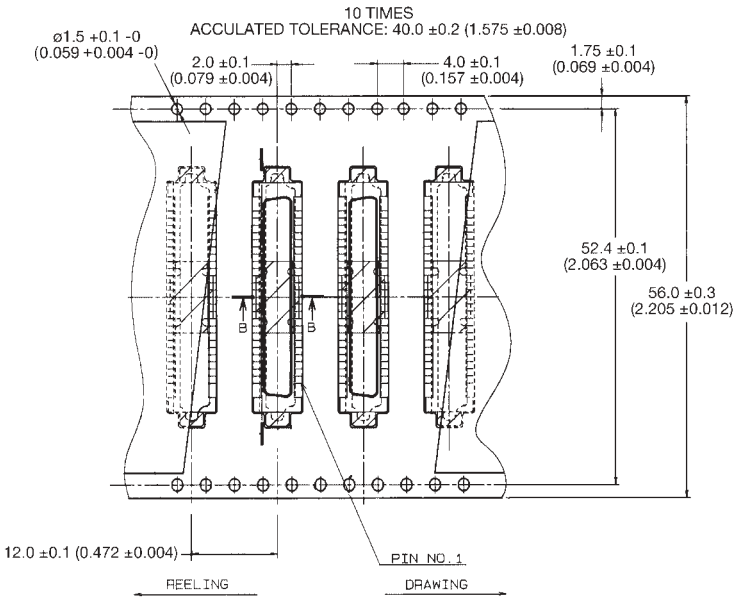
Plug and Receptacle Straight Embossed (30 - 60 Contacts)

PLUG



Dimension						
P/N	No. of Pos.	A	B	C	D	Qty. Per Reel
14 5078 030 100 861	030	26.4 (1.039)	25.4 (1.000)	21.3 (0.839)	23.0 (0.906)	1000 pcs.
↑ 040 ↑	040	31.4 (1.236)	30.4 (1.197)	26.3 (1.035)	28.0 (1.102)	1000 pcs.
↓ 050 ↓	050	36.4 (1.433)	35.4 (1.394)	31.3 (1.232)	33.0 (1.299)	1000 pcs.
14 5078 060 100 861	060	41.4 (1.630)	40.4 (1.591)	36.3 (1.429)	38.0 (1.496)	1000 pcs.

RECEPTACLE



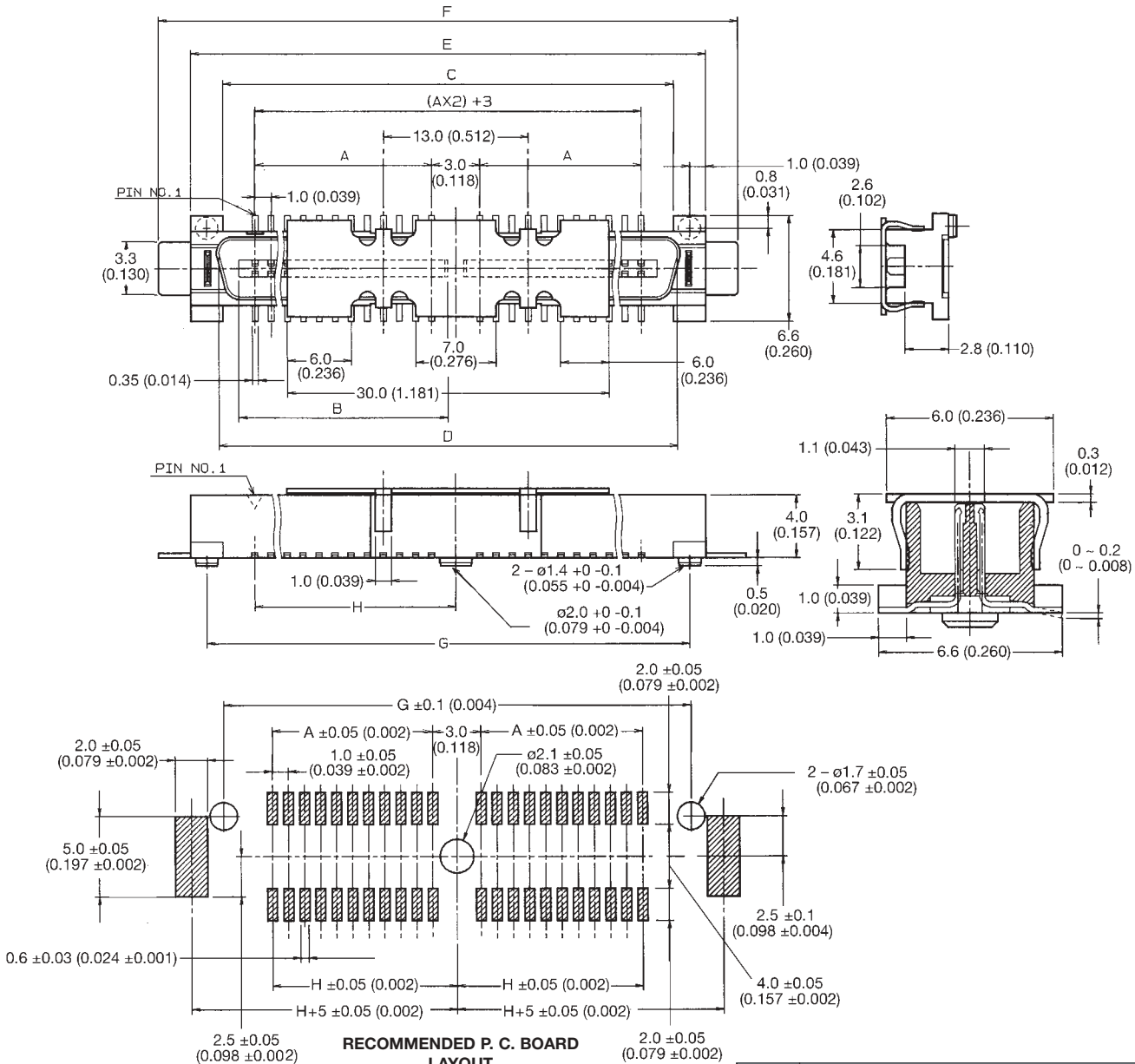
Dimension						
P/N	No. of Pos.	A	B	C	D	Qty. Per Reel
24 5078 030 100 861	030	26.4 (1.039)	25.4 (1.000)	21.3 (0.839)	23.0 (0.906)	1000 pcs.
↑ 040 ↑	040	31.4 (1.236)	30.4 (1.197)	26.3 (1.035)	28.0 (1.102)	1000 pcs.
↓ 050 ↓	050	36.4 (1.433)	35.4 (1.394)	31.3 (1.232)	33.0 (1.299)	1000 pcs.
24 5078 060 100 861	060	41.4 (1.630)	40.4 (1.591)	36.3 (1.429)	38.0 (1.496)	1000 pcs.



Fine Pitch SMT Board to Board Connectors

Series 5078

Plug Straight with Vacuum Pick Up Clip (80 - 120 Contacts)



RECOMMENDED P. C. BOARD LAYOUT

No. of Pos.	Dimension							
	A	B	C	D	E	F	G	H
080	19.0 (0.748)	21.0 (0.827)	45.0 (1.772)	45.7 (1.799)	49.0 (1.929)	53.0 (2.087)	47.0 (1.850)	20.5 (0.807)
100	24.0 (0.945)	26.0 (1.024)	55.0 (2.165)	55.7 (2.193)	59.0 (2.323)	63.0 (2.480)	57.0 (2.244)	25.5 (1.004)
120	29.0 (1.142)	31.0 (1.220)	65.0 (2.559)	65.7 (2.587)	69.0 (2.717)	73.0 (2.874)	67.0 (2.638)	30.5 (1.201)

HOW TO ORDER

- 19**

Prefix
- 5078**

Series Number
- XXX**

Number of Positions

080
100
120
- 000**

Variation Code
- 861**

Finish Code

861 = Ni Undercoated
1.2µm - 4.0µm
Au overplated
0.25µm/min.

Parts are supplied in trays with 40 pieces per tray.

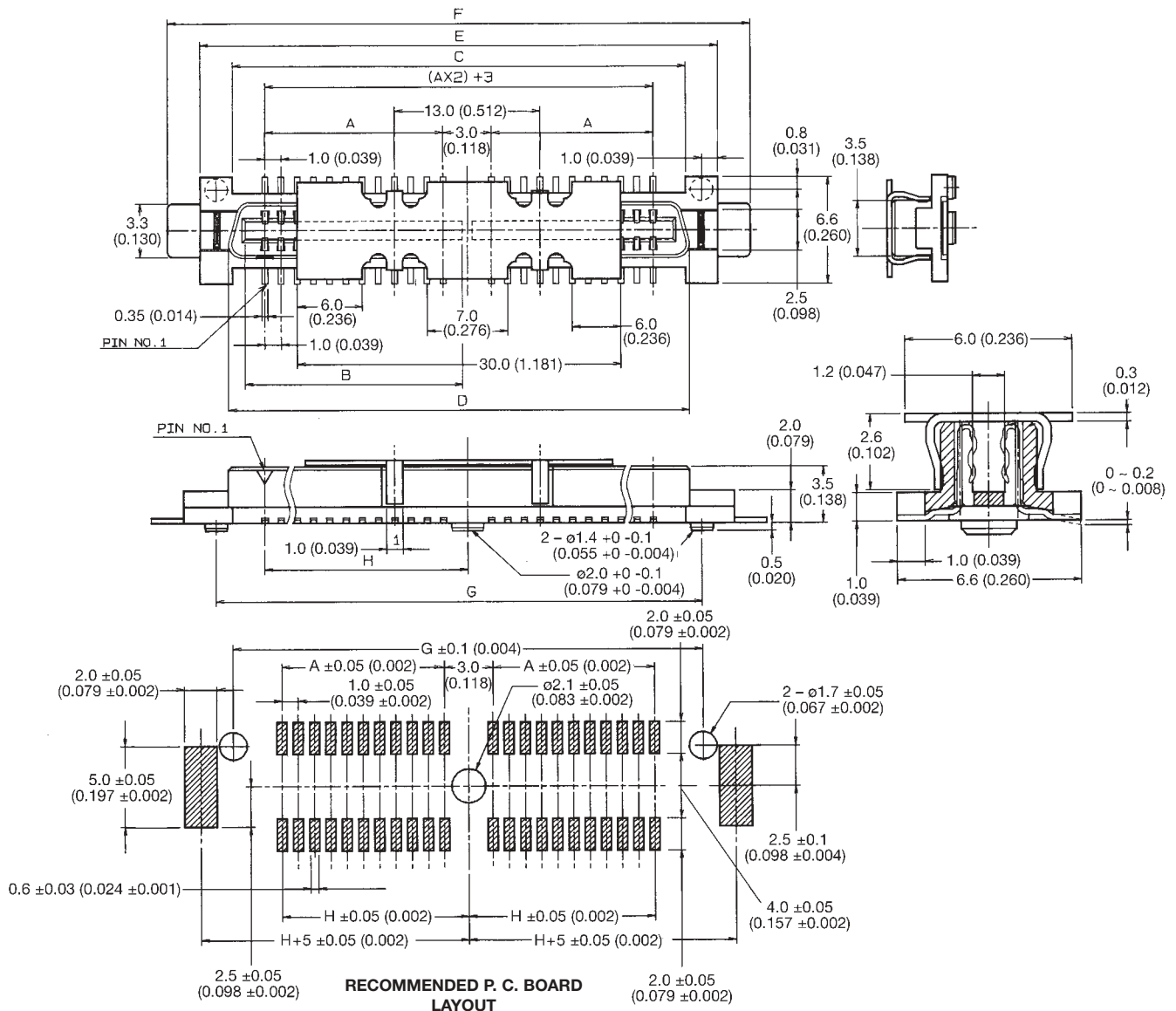


Fine Pitch SMT Board to Board Connectors



Series 5078

Receptacle Straight with Vacuum Pick Up Clip (80 - 120 Contacts)



No. of Pos.	Dimension							
	A	B	C	D	E	F	G	H
80	19.0 (0.748)	21.45 (0.844)	45.0 (1.772)	45.5 (1.791)	49.0 (1.929)	53.0 (2.087)	47.0 (1.850)	20.5 (0.807)
100	24.0 (0.945)	26.45 (1.041)	55.0 (2.165)	55.5 (2.185)	59.0 (2.323)	63.0 (2.480)	57.0 (2.244)	25.5 (1.004)
120	29.0 (1.142)	31.45 (1.238)	65.0 (2.559)	65.5 (2.579)	69.0 (2.717)	73.0 (2.874)	67.0 (2.638)	30.5 (1.201)

HOW TO ORDER

29

Prefix

5078

Series Number

XXX

Number of Positions

080
100
120

000

Variation Code

861

Finish Code

861 = Ni Undercoated
1.2µm - 4.0µm
Au overplated
0.25µm/min.

Parts are supplied in trays with 40 pieces per tray.

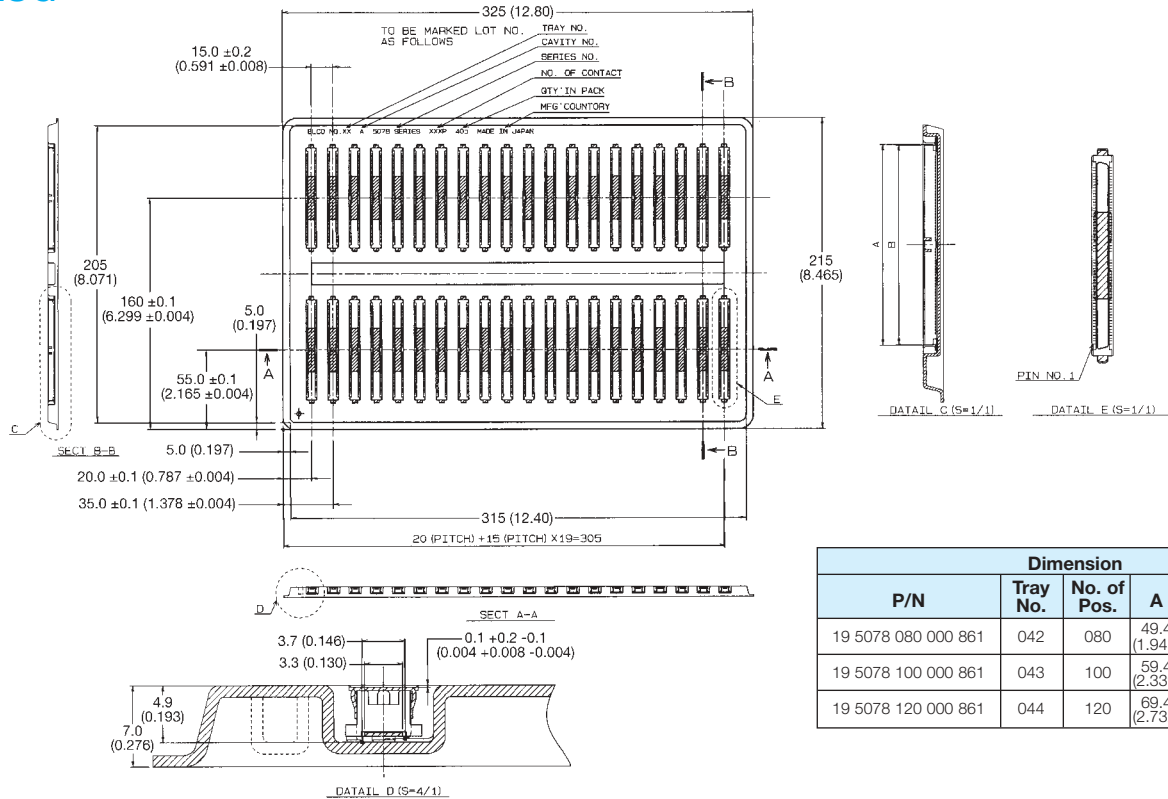
Fine Pitch SMT Board to Board Connectors



Series 5078

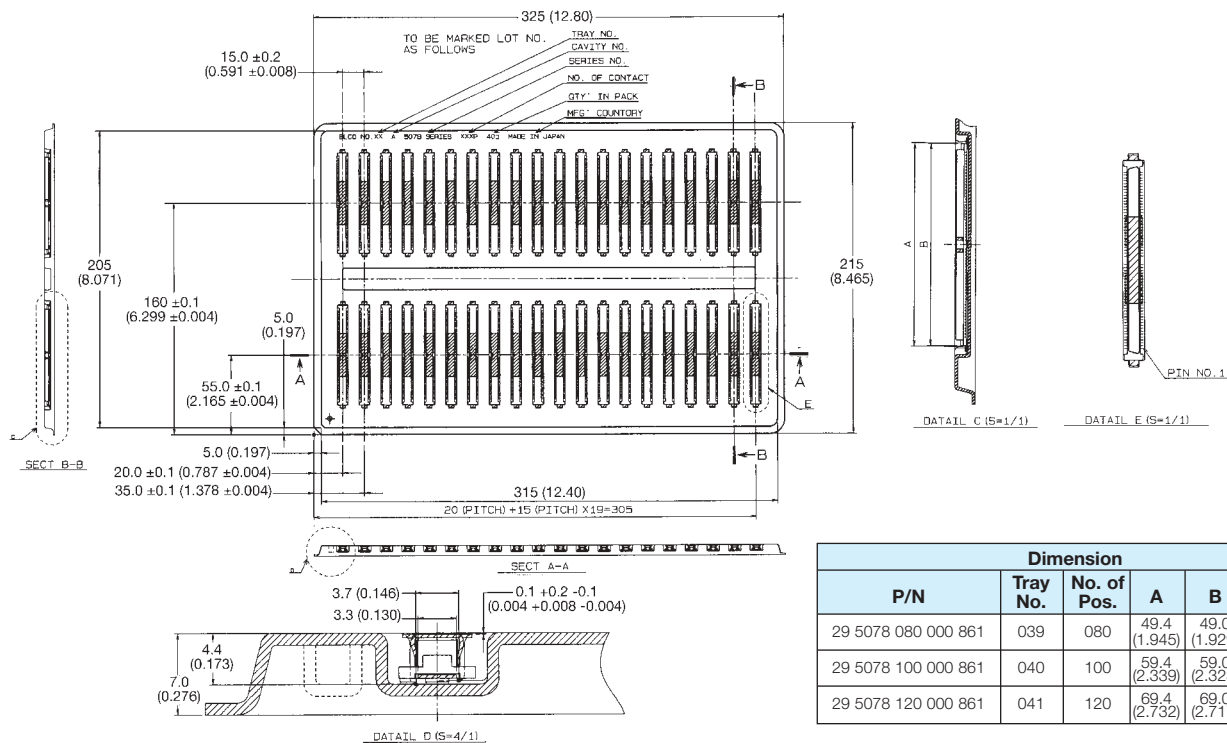
Plug and Receptacle Straight with Tray (80 - 120 Contacts)

PLUG



P/N	Dimension				Qty. Per Tray
	Tray No.	No. of Pos.	A	B	
19 5078 080 000 861	042	080	49.4 (1.945)	49.0 (1.929)	40 pcs.
19 5078 100 000 861	043	100	59.4 (2.339)	59.0 (2.323)	40 pcs.
19 5078 120 000 861	044	120	69.4 (2.732)	69.0 (2.717)	40 pcs.

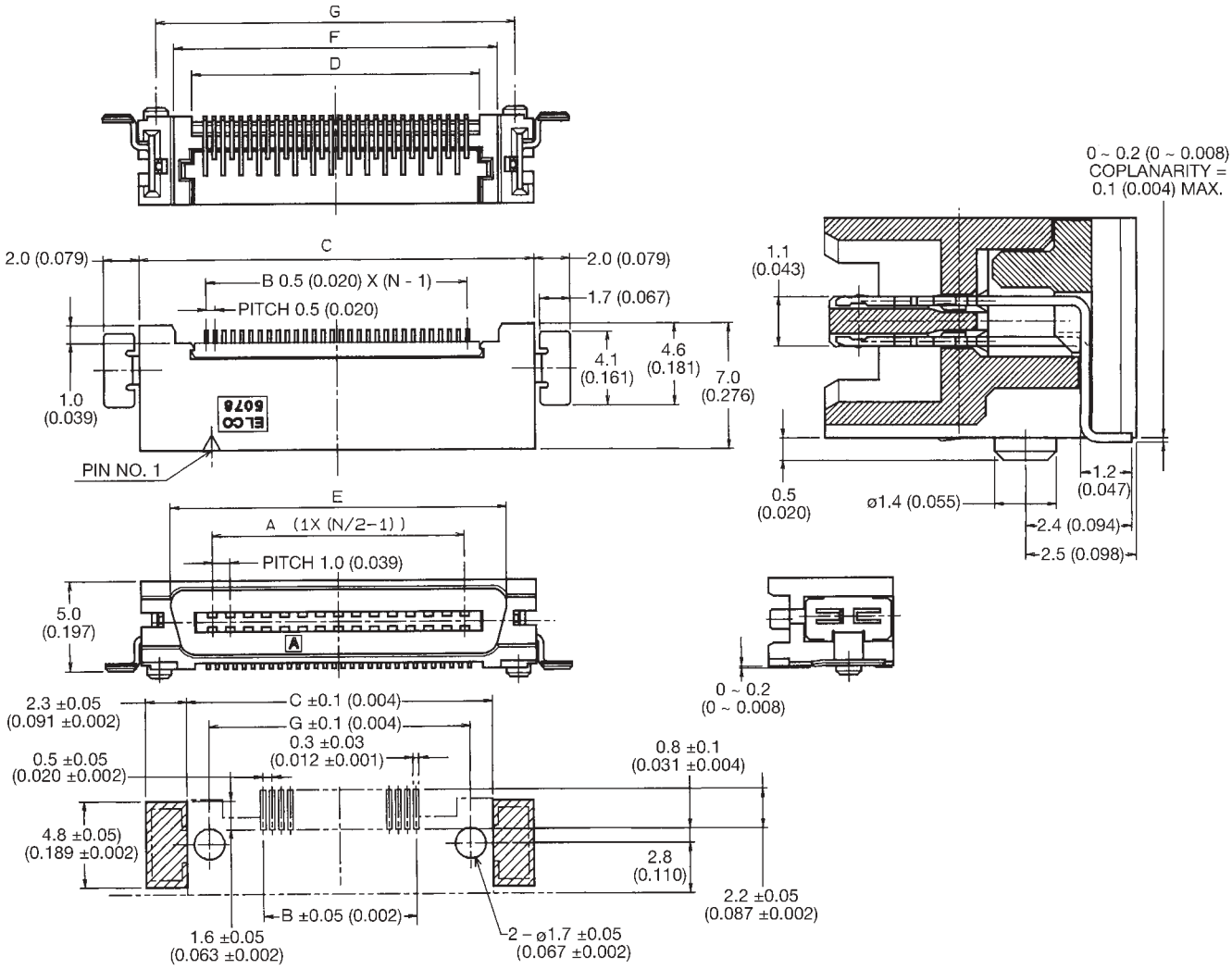
RECEPTACLE



P/N	Dimension				Qty. Per Tray
	Tray No.	No. of Pos.	A	B	
29 5078 080 000 861	039	080	49.4 (1.945)	49.0 (1.929)	40 pcs.
29 5078 100 000 861	040	100	59.4 (2.339)	59.0 (2.323)	40 pcs.
29 5078 120 000 861	041	120	69.4 (2.732)	69.0 (2.717)	40 pcs.

Fine Pitch SMT Board to Board Connectors

Series 5078
Standard SMT Plug Right Angle (30 - 60 Contacts)



No. of Pos.	Dimension						
	A	B	C	D	E	F	G
030	14.0 (0.551)	14.5 (0.571)	22.0 (0.866)	16.0 (0.630)	18.7 (0.736)	18.0 (0.709)	20.0 (0.787)
040	19.0 (0.748)	19.5 (0.768)	27.0 (1.063)	21.0 (0.827)	23.7 (0.933)	23.0 (0.906)	25.0 (0.984)
050	24.0 (0.945)	24.5 (0.965)	32.0 (1.260)	26.0 (1.024)	28.7 (1.130)	28.0 (1.102)	30.0 (1.181)
060	29.0 (1.142)	29.5 (1.161)	37.0 (1.457)	31.0 (1.220)	33.7 (1.327)	33.0 (1.299)	35.0 (1.378)

HOW TO ORDER

<p>14</p> <p>Prefix</p>	<p>5078</p> <p>Series Number</p>	<p>XXX</p> <p>Number of Positions</p> <p>030 040 050 060</p>	<p>510</p> <p>Variation Code</p>	<p>861</p> <p>Finish Code</p> <p>861 = Ni Undercoated 1.2µm - 4.0µm Au overlated 0.25µm/min.</p>
--------------------------------	---	---	---	---

Parts are supplied in tape and reel packaging with 1000 pieces per reel.

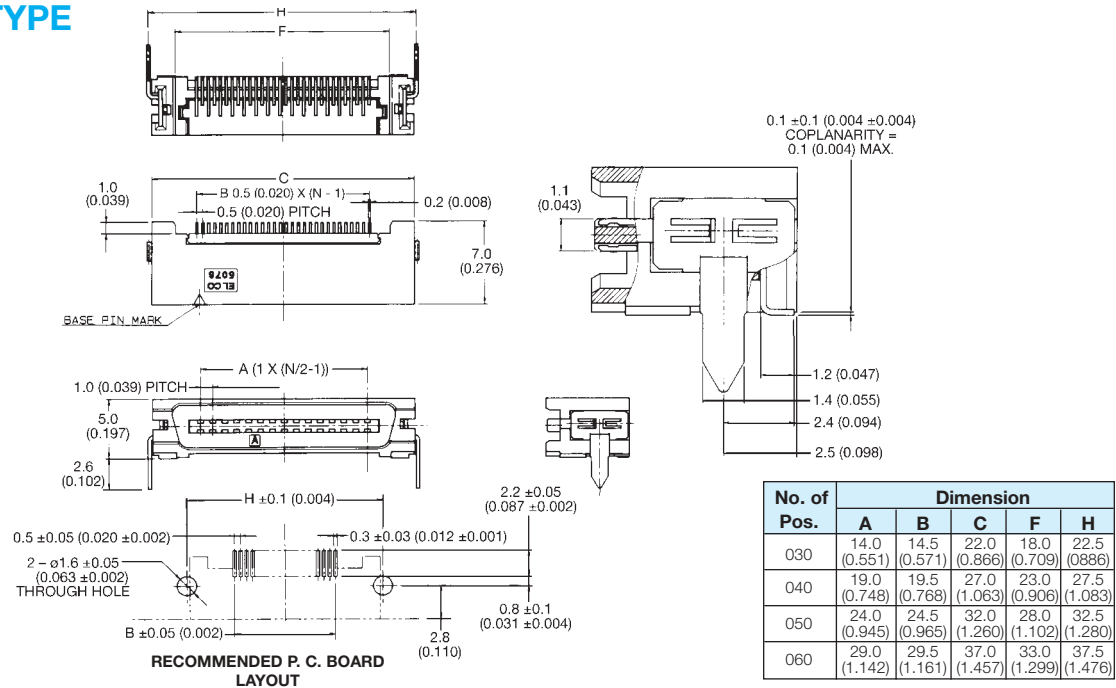
Fine Pitch SMT Board to Board Connectors



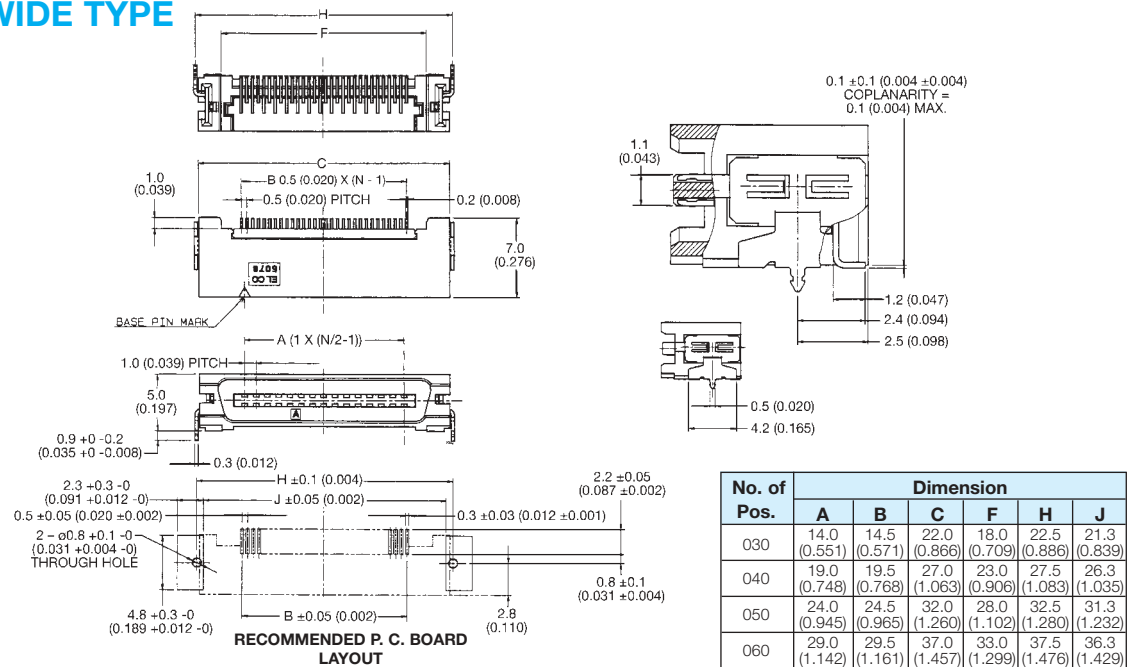
Series 5078

Lead Reflow Plug Right Angle (30 - 60 Contacts)

REFLOW PIN TYPE (511)



REFLOW PIN WIDE TYPE (515)



HOW TO ORDER

14

Prefix

5078

Series Number

XXX

Number of Positions

030
040
050
060

51X

Variation Code

511 = Reflow pin type
515 = Reflow pin wide type

861

Finish Code

861 = Ni Undercoated
1.2µm - 4.0µm
Au overplated
0.25µm/min.

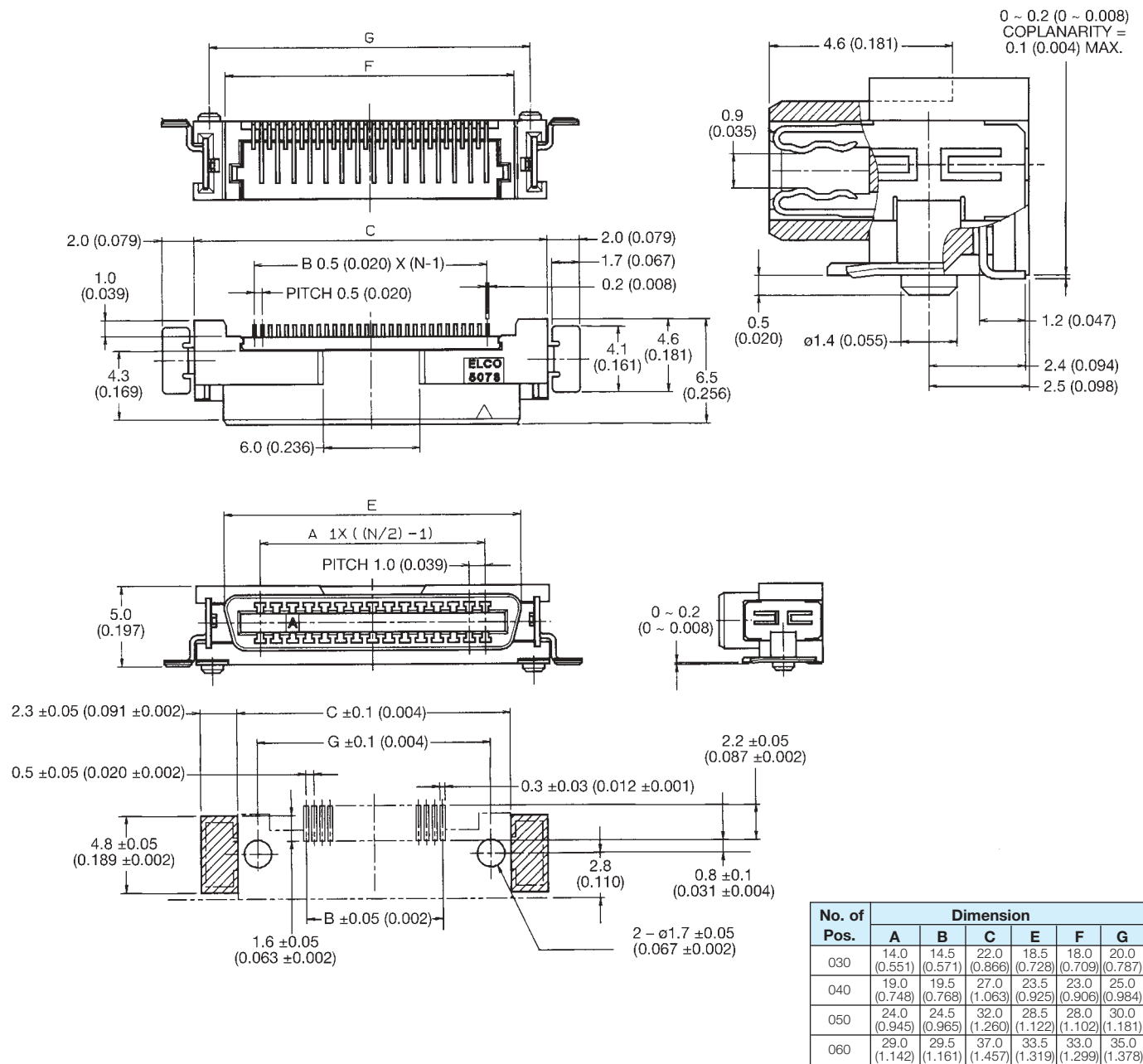
Parts are supplied in tape and reel packaging with 1000 pieces per reel.

Fine Pitch SMT Board to Board Connectors



Series 5078

Standard SMT Receptacle Right Angle (30 - 60 Contacts)



HOW TO ORDER

24

Prefix

5078

Series Number

XXX

Number of Positions

030
040
050
060

510

Variation Code

861

Finish Code

861 = Ni Undercoated
1.2µm - 4.0µm
Au overlated
0.25µm/min.

Parts are supplied in tape and reel packaging with 1000 pieces per reel.

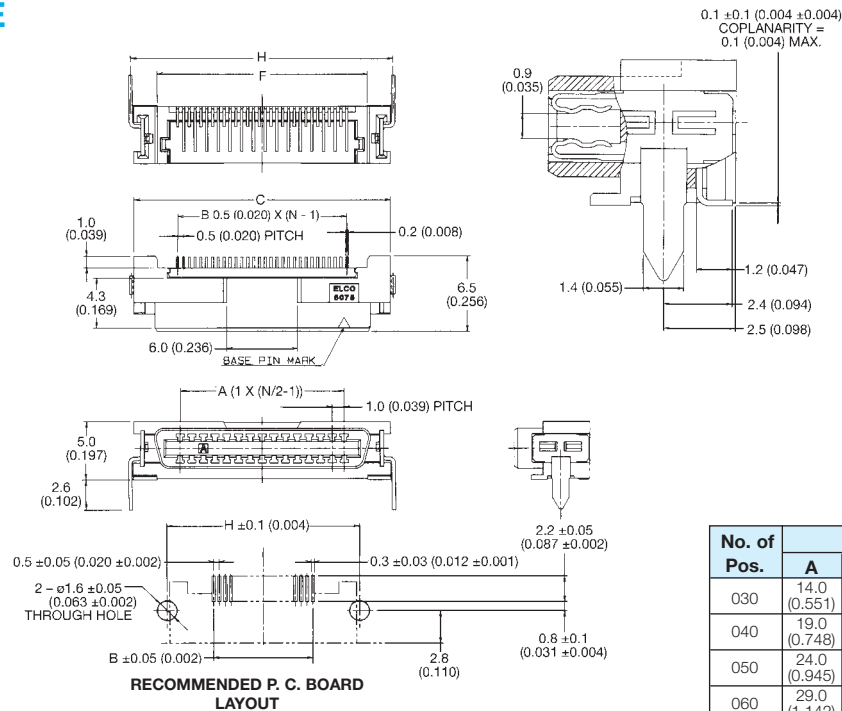
Fine Pitch SMT Board to Board Connectors



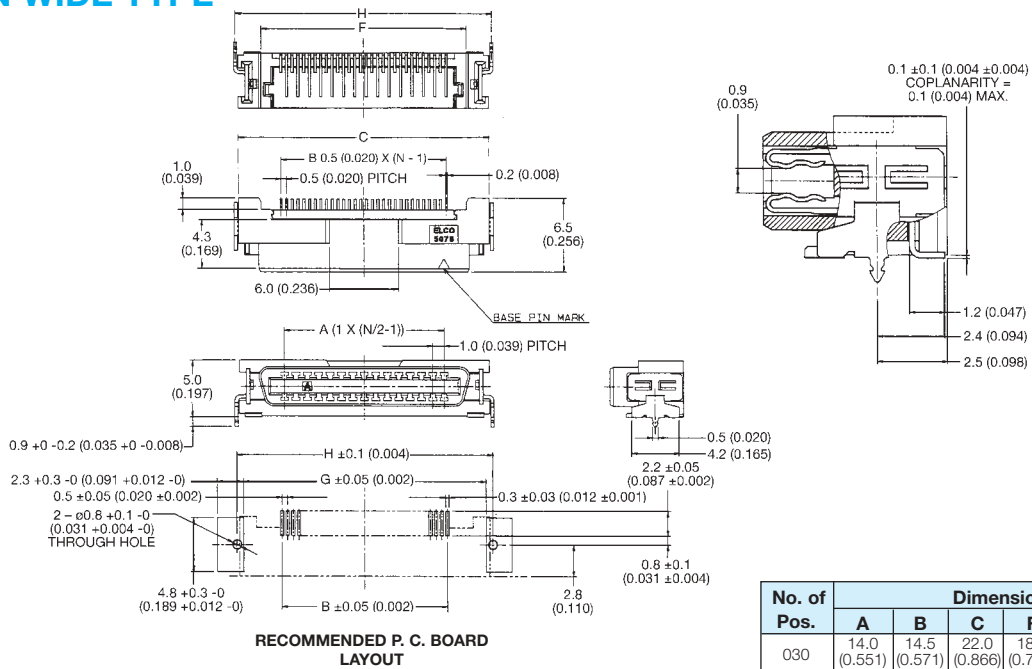
Series 5078

Lead Reflow Receptacle Right Angle (30 - 60 Contacts)

REFLOW PIN TYPE (511)



REFLOW PIN WIDE TYPE (515)



HOW TO ORDER

24

Prefix

5078

Series Number

XXX

Number of Positions

030

040

050

060

51X

Variation Code

511 = Reflow pin type

515 = Reflow pin wide type

861

Finish Code

861 = Ni Undercoated

1.2µm - 4.0µm

Au overplated

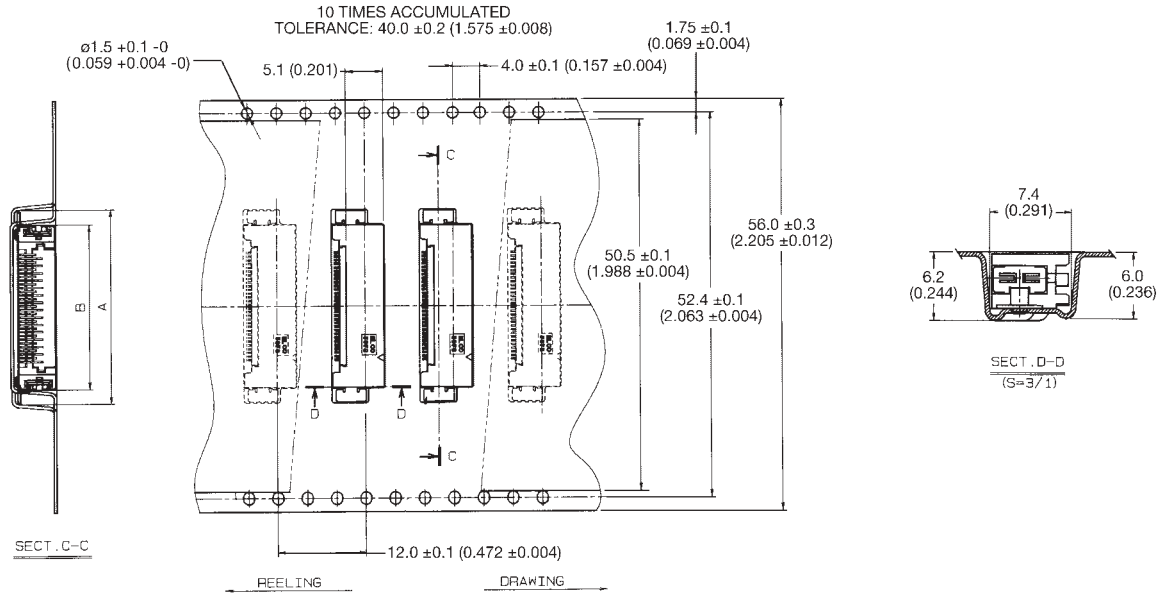
0.25µm/min.

Parts are supplied in tape and reel packaging with 1000 pieces per reel.

Fine Pitch SMT Board to Board Connectors

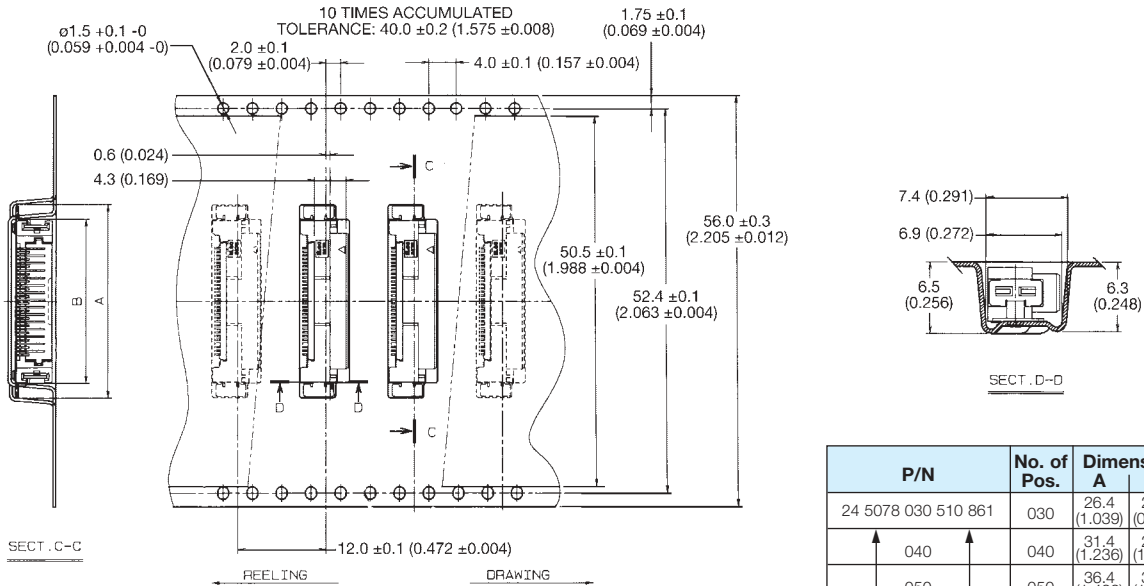
Series 5078 Standard SMT Plug and Receptacle Right Angle Embossed (30 - 60 Contacts)

PLUG



P/N	No. of Pos.	Dimension A	Dimension B	Qty. Per Reel
14 5078 030 510 861	030	26.4 (1.039)	22.4 (0.882)	1000 pcs.
↑ 040 ↑	040	31.4 (1.236)	27.4 (1.079)	1000 pcs.
↓ 050 ↓	050	36.4 (1.433)	32.4 (1.276)	1000 pcs.
14 5078 060 510 861	060	41.4 (1.630)	37.4 (1.472)	1000 pcs.

RECEPTACLE



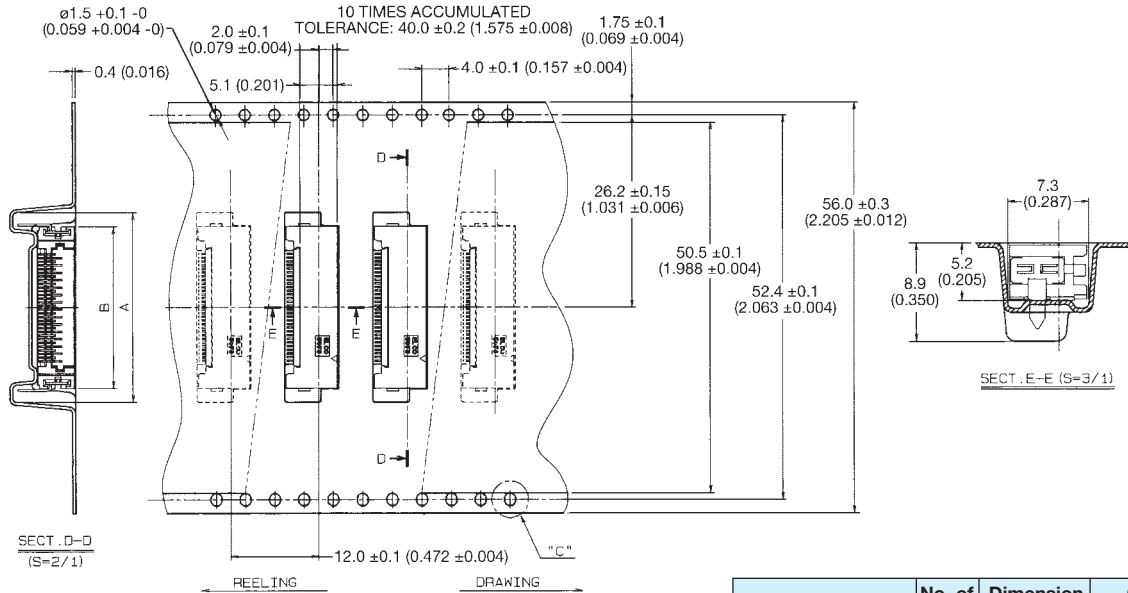
P/N	No. of Pos.	Dimension A	Dimension B	Qty. Per Reel
24 5078 030 510 861	030	26.4 (1.039)	22.4 (0.882)	1000 pcs.
↑ 040 ↑	040	31.4 (1.236)	27.4 (1.079)	1000 pcs.
↓ 050 ↓	050	36.4 (1.433)	32.4 (1.276)	1000 pcs.
24 5078 060 510 861	060	41.4 (1.630)	37.4 (1.472)	1000 pcs.

Parts are supplied in tape and reel packaging with 1000 pieces per reel.

Fine Pitch SMT Board to Board Connectors

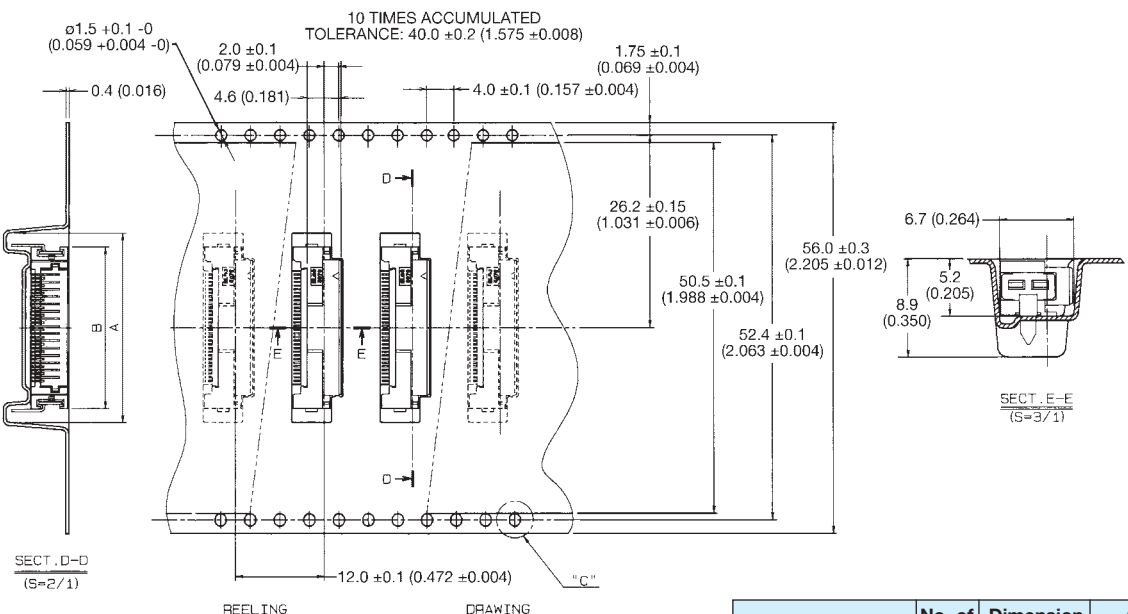
Series 5078 Lead Reflow Plug and Receptacle Right Angle Embossed (30 - 60 Contacts)

PLUG



P/N	No. of Pos.	Dimension A	Dimension B	Qty. Per Reel
14 5078 030 XXX 861	030	25.8 (1.016)	22.0 (0.866)	1000 pcs.
↑ 040 ↑	040	30.8 (1.213)	27.0 (1.063)	1000 pcs.
↓ 050 ↓	050	35.8 (1.409)	32.0 (1.260)	1000 pcs.
14 5078 060 XXX 861	060	40.8 (1.606)	37.0 (1.457)	1000 pcs.

RECEPTACLE



P/N	No. of Pos.	Dimension A	Dimension B	Qty. Per Reel
24 5078 030 XXX 861	030	25.8 (1.016)	22.0 (0.866)	1000 pcs.
↑ 040 ↑	040	30.8 (1.213)	27.0 (1.063)	1000 pcs.
↓ 050 ↓	050	35.8 (1.409)	32.0 (1.260)	1000 pcs.
24 5078 060 XXX 861	060	40.8 (1.606)	37.0 (1.457)	1000 pcs.

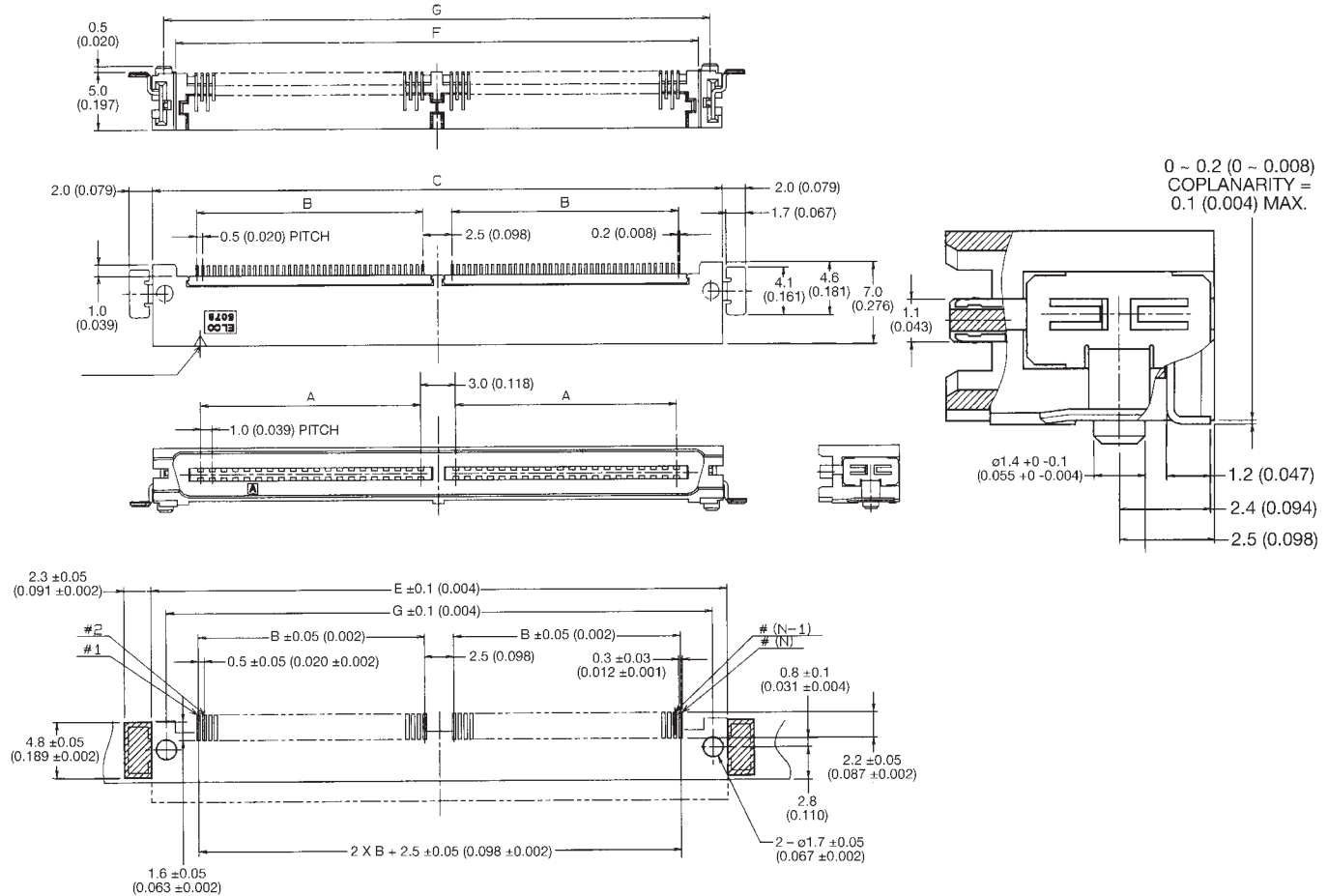
See page 63 for options of XXX Variation Code to get complete part number. Parts are supplied in tape and reel packaging with 1000 pieces per reel.

Fine Pitch SMT Board to Board Connectors



Series 5078

Standard SMT Plug Right Angle (80 - 120 Contacts)



P/N	No. of Pos.	Dimension					Qty. Per Tray	
		A	B	C	E	F		G
19 5078 080 500 861	080	19.0 (0.748)	19.5 (0.768)	49.0 (1.929)	49.0 (1.929)	45.0 (1.772)	47.0 (1.850)	40 pcs.
19 5078 100 500 861	100	24.0 (0.945)	24.5 (0.965)	59.0 (2.323)	59.0 (2.323)	55.0 (2.165)	57.0 (2.244)	40 pcs.
19 5078 120 500 861	120	29.0 (1.142)	29.5 (1.161)	69.0 (2.717)	69.0 (2.717)	65.0 (2.559)	67.0 (2.638)	40 pcs.

HOW TO ORDER

19

Prefix

5078

Series Number

XXX

Number of Positions

080
100
120

500

Variation Code

861

Finish Code

861 = Ni Undercoated
1.2µm - 4.0µm
Au overplated
0.25µm/min.

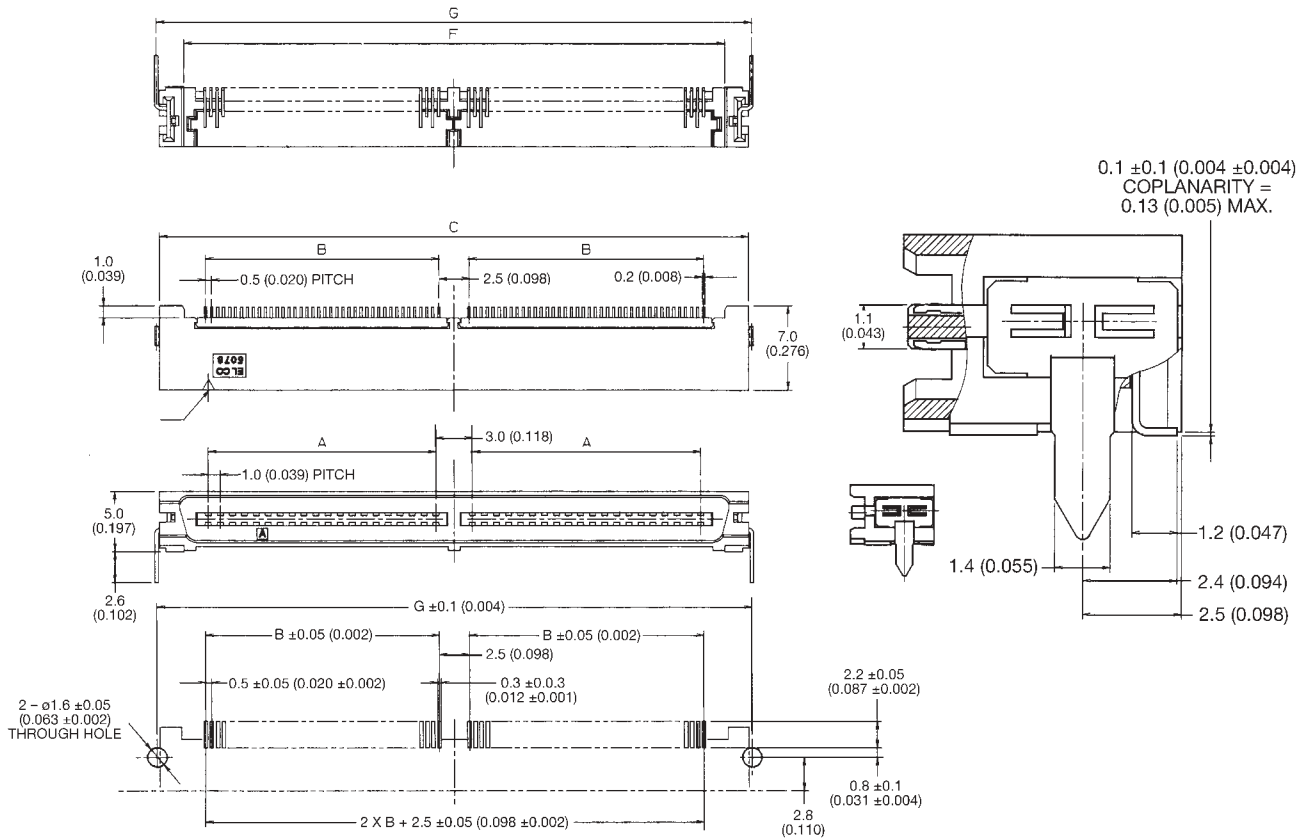
Parts are supplied in trays with 40 pieces per tray.

Fine Pitch SMT Board to Board Connectors



Series 5078

Lead Reflow Plug Right Angle (80 - 120 Contacts)



P/N	No. of Pos.	Dimension					Qty. Per Tray
		A	B	C	F	G	
19 5078 080 501 861	080	19.0 (0.748)	19.5 (0.768)	49.0 (1.929)	45.0 (1.772)	49.5 (1.949)	40 pcs.
19 5078 100 501 861	100	24.0 (0.945)	24.5 (0.965)	59.0 (2.323)	55.0 (2.165)	59.5 (2.343)	40 pcs.
19 5078 120 501 861	120	29.0 (1.142)	29.5 (1.161)	69.0 (2.717)	65.0 (2.559)	69.5 (2.736)	40 pcs.

HOW TO ORDER

19

Prefix

5078

Series Number

XXX

Number of Positions

080
100
120

501

Variation Code

861

Finish Code

861 = Ni Undercoated
1.2µm - 4.0µm
Au overplated
0.25µm/min.

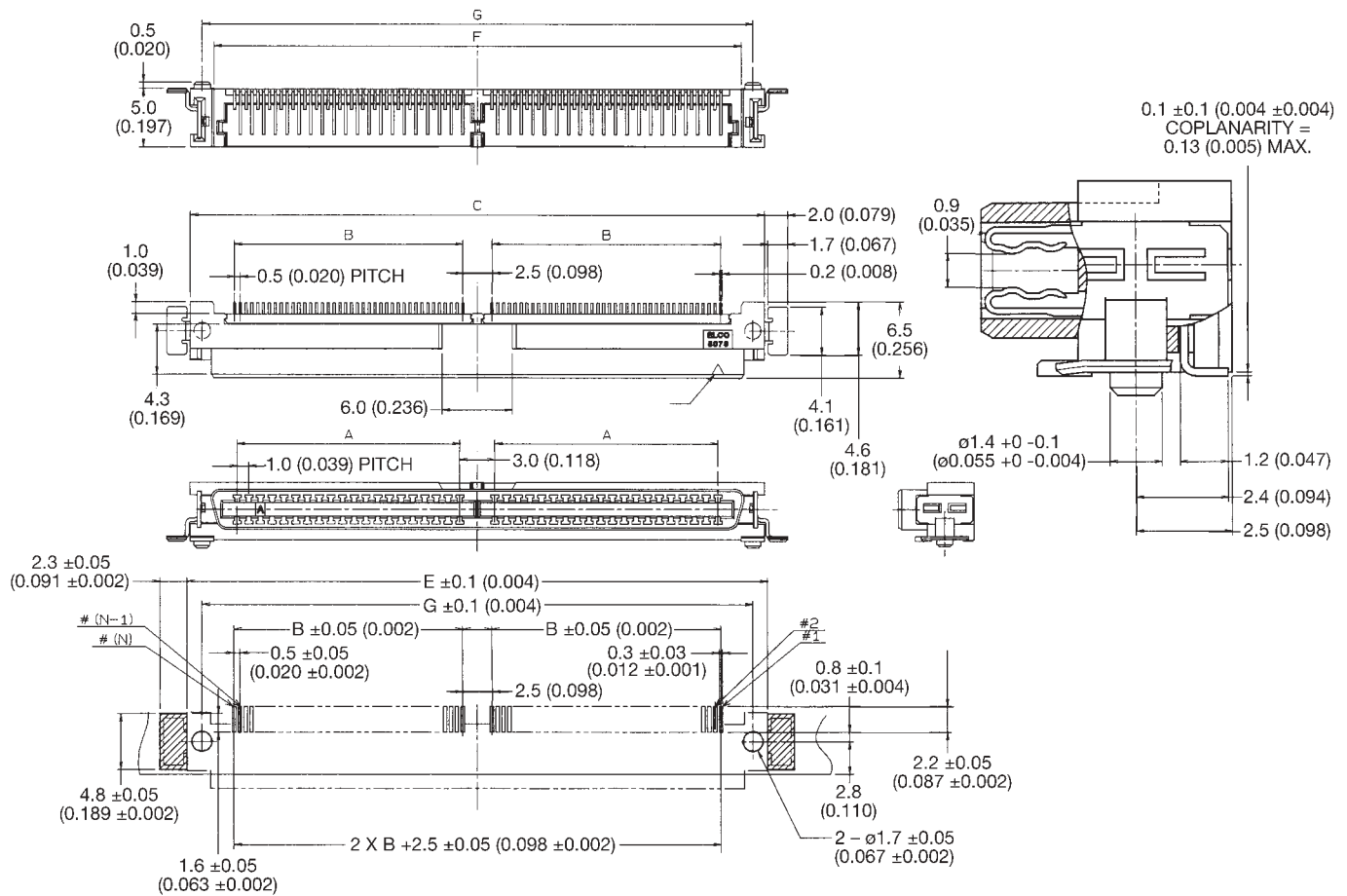
Parts are supplied in trays with 40 pieces per tray.

Fine Pitch SMT Board to Board Connectors



Series 5078

Standard SMT Receptacle Right Angle (80 - 120 Contacts)



P/N	No. of Pos.	Dimension					Qty. Per Tray	
		A	B	C	E	F		
29 5078 080 500 861	080	19.0 (0.748)	19.5 (0.768)	49.0 (1.929)	49.0 (1.929)	45.0 (1.772)	47.0 (1.850)	40 pcs.
29 5078 100 500 861	100	24.0 (0.945)	24.5 (0.965)	59.0 (2.323)	59.0 (2.323)	55.0 (2.165)	57.0 (2.244)	40 pcs.
29 5078 120 500 861	120	29.0 (1.142)	29.5 (1.161)	69.0 (2.717)	69.0 (2.717)	65.0 (2.559)	67.0 (2.638)	40 pcs.

HOW TO ORDER

29

Prefix

5078

Series Number

XXX

Number of Positions

080
100
120

500

Variation Code

861

Finish Code

861 = Ni Undercoated
1.2µm - 4.0µm
Au overplated
0.25µm/min.

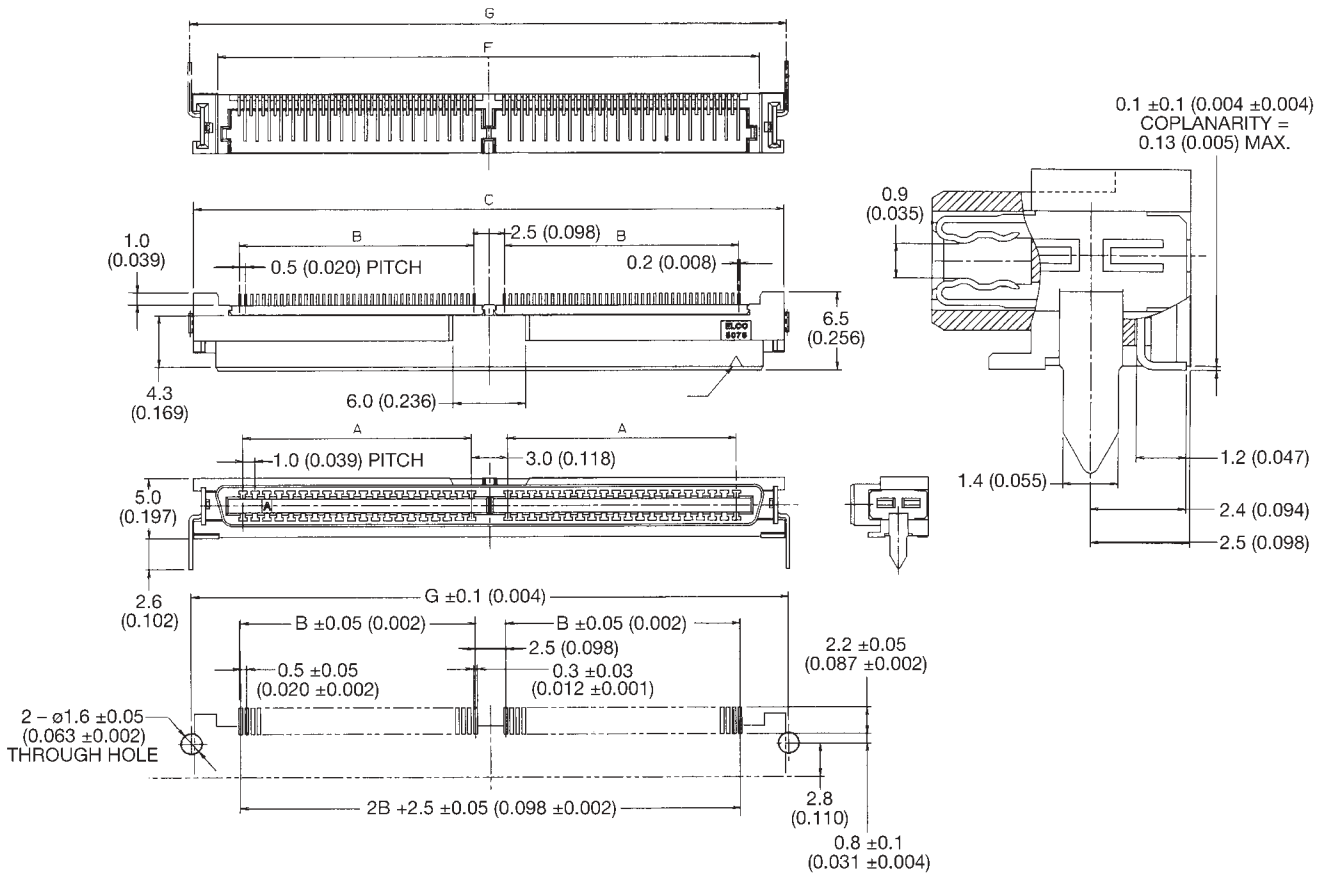
Parts are supplied in trays with 40 pieces per tray.

Fine Pitch SMT Board to Board Connectors



Series 5078

Lead Reflow Receptacle Right Angle (80 - 120 Contacts)



P/N	No. of Pos.	Dimension					Qty. Per Tray
		A	B	C	F	G	
29 5078 080 501 861	080	19.0 (0.748)	19.5 (0.768)	49.0 (1.929)	45.0 (1.772)	49.5 (1.949)	40 pcs.
29 5078 100 501 861	100	24.0 (0.945)	24.5 (0.965)	59.0 (2.323)	55.0 (2.165)	59.5 (2.343)	40 pcs.
29 5078 120 501 861	120	29.0 (1.142)	29.5 (1.161)	69.0 (2.717)	65.0 (2.559)	69.5 (2.736)	40 pcs.

HOW TO ORDER

29

Prefix

5078

Series Number

XXX

Number of Positions

080
100
120

501

Variation Code

861

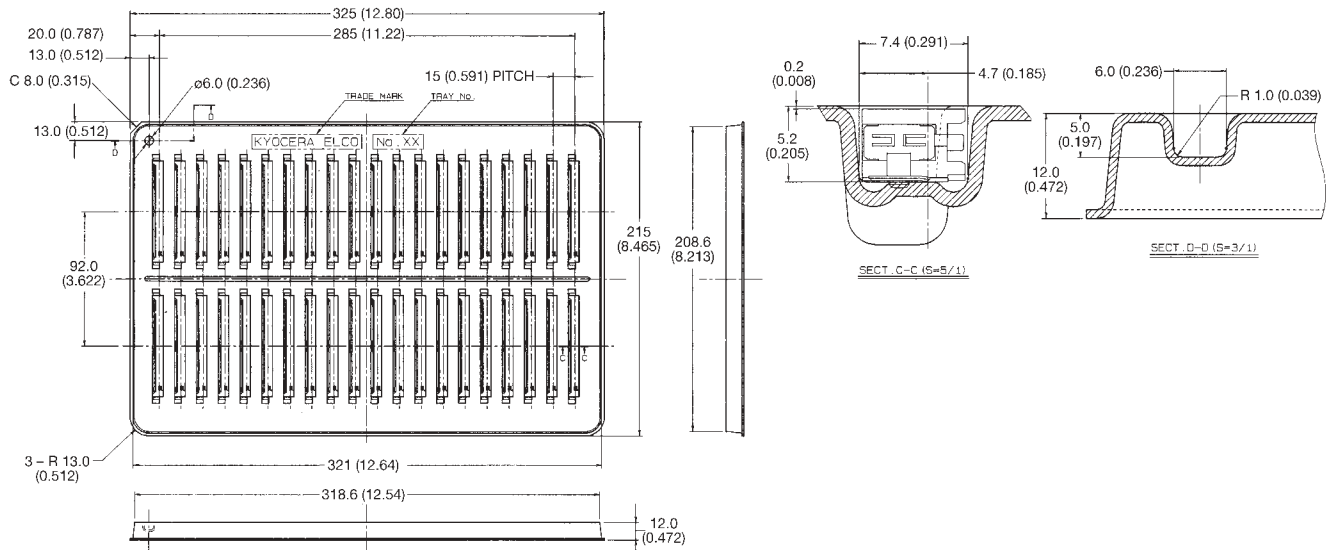
Finish Code

861 = Ni Undercoated
1.2µm - 4.0µm
Au overplated
0.25µm/min.

Parts are supplied in trays with 40 pieces per tray.

Fine Pitch SMT Board to Board Connectors

Series 5078 Standard SMT Plug and Receptacle Right Angle with Tray (80 - 120 Contacts)



HOW TO ORDER

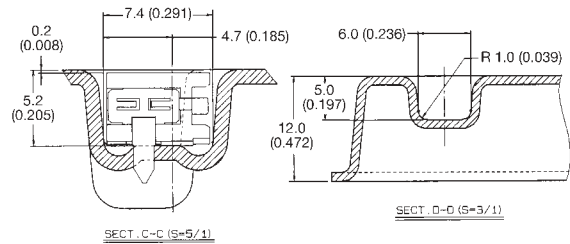
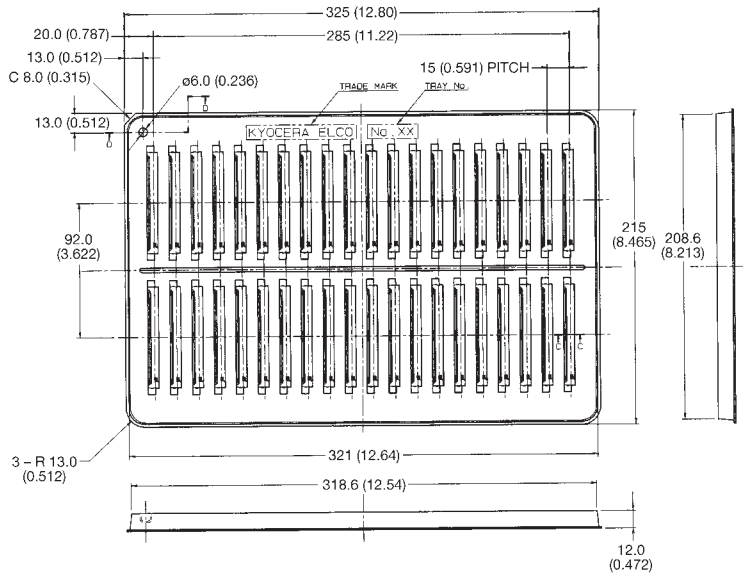
XX	5078	XXX	500	861
Prefix	Series Number	Number of Positions	Variation Code	Finish Code
19 = Plug 29 = Receptacle		080 100 120	Right Angle Standard SMT Type	861 = Ni Undercoated 1.2 μ m - 4.0 μ m Au overplated 0.25 μ m/min.

Parts are supplied in trays with 40 pieces per tray.

Fine Pitch SMT Board to Board Connectors



Series 5078 Plug and Receptacle Reflow Pin Type
Right Angle with Tray (80 - 120 Contacts)



HOW TO ORDER

XX	5078	XXX	501	861
Prefix	Series Number	Number of Positions	Variation Code	Finish Code
19 = Plug 29 = Receptacle		080 100 120	Right Angle Reflow Pin Type	861 = Ni Undercoated 1.2µm - 4.0µm Au overplated 0.25µm/min.

Parts are supplied in trays
with 40 pieces per tray.

Fine Pitch SMT Board to Board Connectors

Series 5078 Ordering Code



HOW TO ORDER

ASSEMBLY (TAPE AND REEL PACKAGE)

XX	5078	XXX	XXX	861
Prefix 14 = Plug 24 = Receptacle	Series Number	Number of Positions 030 040 050 060	Variation Code 100 = Straight with Vacuum Pick Up Clip (PPS) 510 = Right Angle Standard SMT Type 511 = Right Angle Reflow Pin Type 515 = Right Angle Reflow Pin Wide Type	Finish Code 861 = Ni Undercoated 1.2 - 4.0µm, Over Au Plating 0.25µm/min.

Parts are supplied in tape and reel packaging with 1000 pieces per reel.

ASSEMBLY (TRAY)

XX	5078	XXX	XXX	861
Prefix 19 = Plug 29 = Receptacle	Series Number	Number of Positions 080 100 120	Variation Code 000 = Straight with Vacuum Pick Up Clip (Metal) 500 = Right Angle Standard SMT Type 501 = Right Angle Reflow Pin Type	Finish Code 861 = Ni Undercoated 1.2 - 4.0µm, Over Au Plating 0.25µm/min.

Parts are supplied in trays with 40 pieces per tray.

Mouser Electronics

Authorized Distributor

Click to View Pricing, Inventory, Delivery & Lifecycle Information:

[AVX:](#)

[145078040510861+](#) [295078120501861+](#)