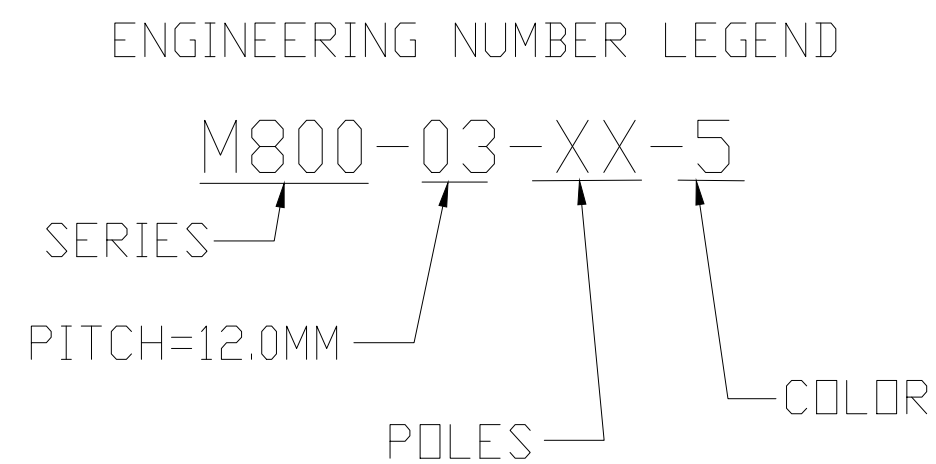


PART NUMBER DATA							
CIRCUITS	PART NUMBER	ENGINEERING NUMBER	COLOR	A IN mm		B IN mm	
2	391002302	M800-03-02-5	WHITE	.79	20.0	.472	12.00
3	391002303	M800-03-03-5	WHITE	1.26	32.0	.945	24.00
4	391002304	M800-03-04-5	WHITE	1.73	44.0	1.417	36.00
5	391002305	M800-03-05-5	WHITE	2.20	56.0	1.890	48.00
6	391002306	M800-03-06-5	WHITE	2.68	68.0	2.362	60.00
7	391002307	M800-03-07-5	WHITE	3.15	80.0	2.835	72.00
8	391002308	M800-03-08-5	WHITE	3.62	92.0	3.307	84.00
9	391002309	M800-03-09-5	WHITE	4.09	104.0	3.780	96.00
10	391002310	M800-03-10-5	WHITE	4.57	116.0	4.252	108.00
11	391002311	M800-03-11-5	WHITE	5.04	128.0	4.724	120.00
12	391002312	M800-03-12-5	WHITE	5.51	140.0	5.197	132.00

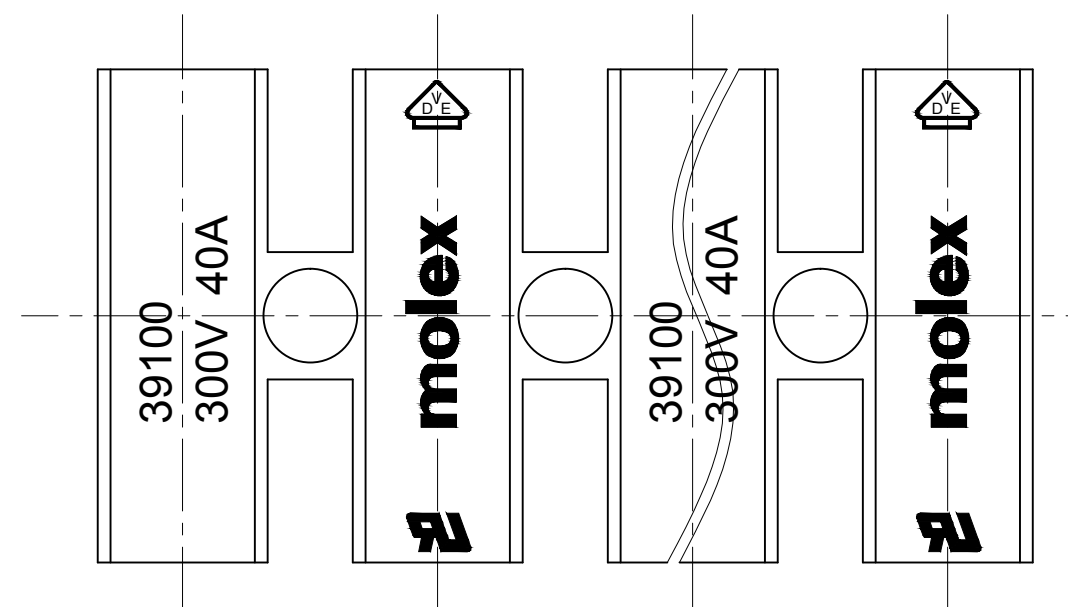
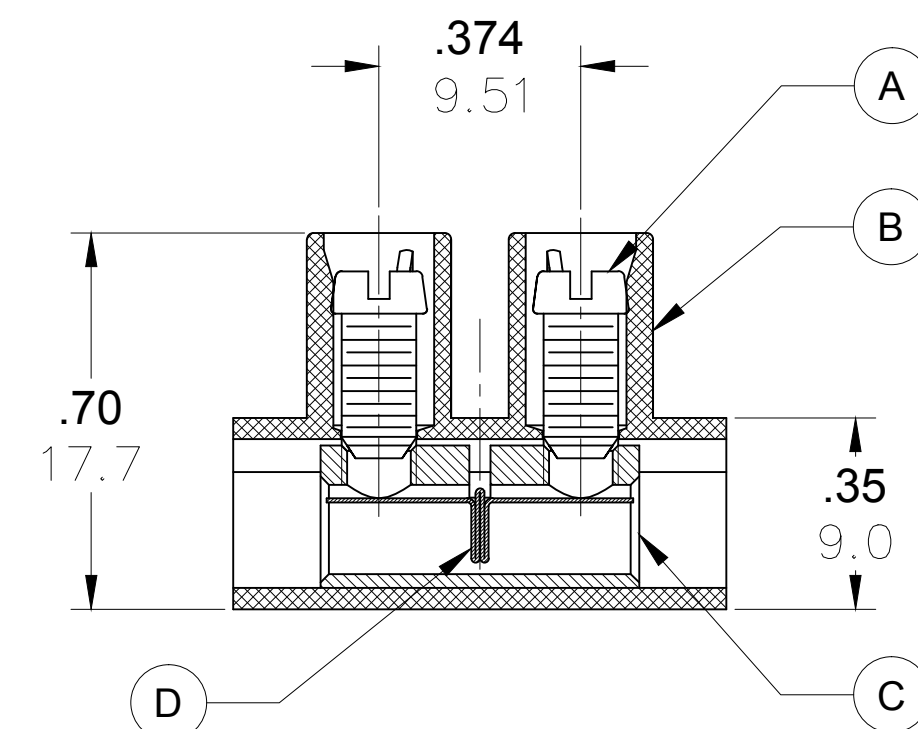
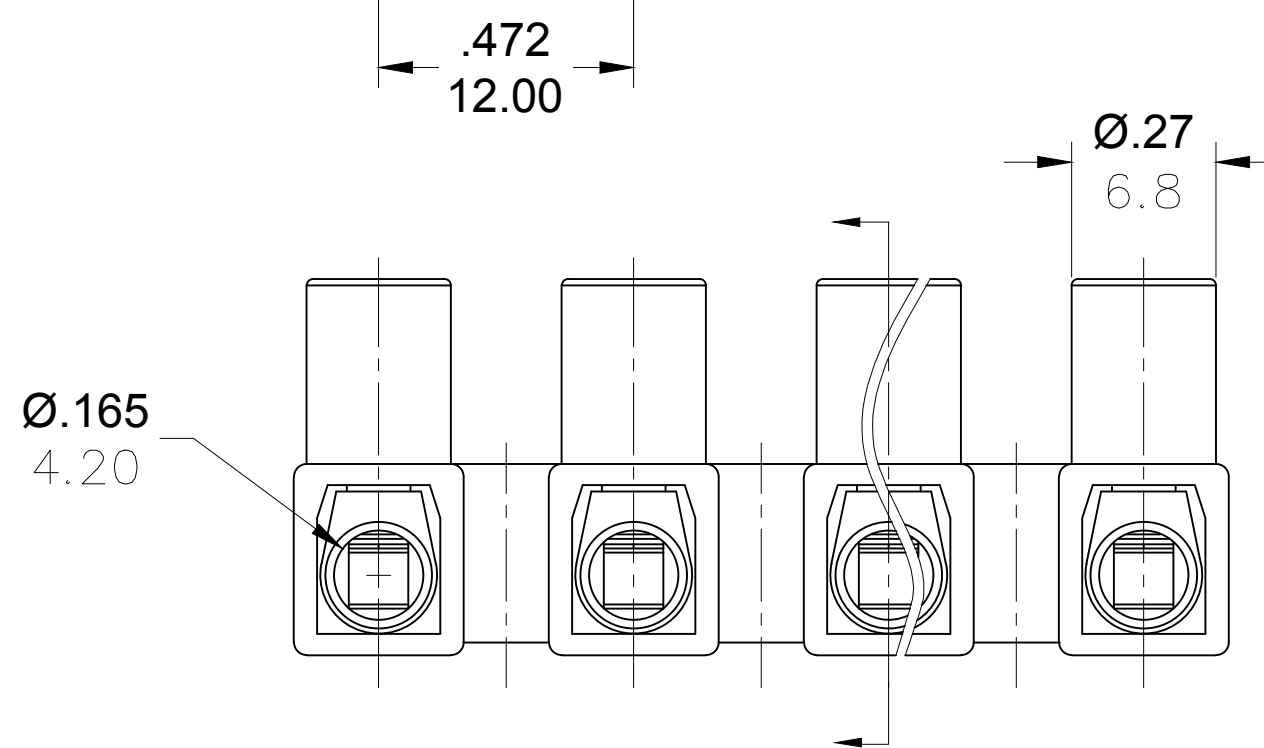
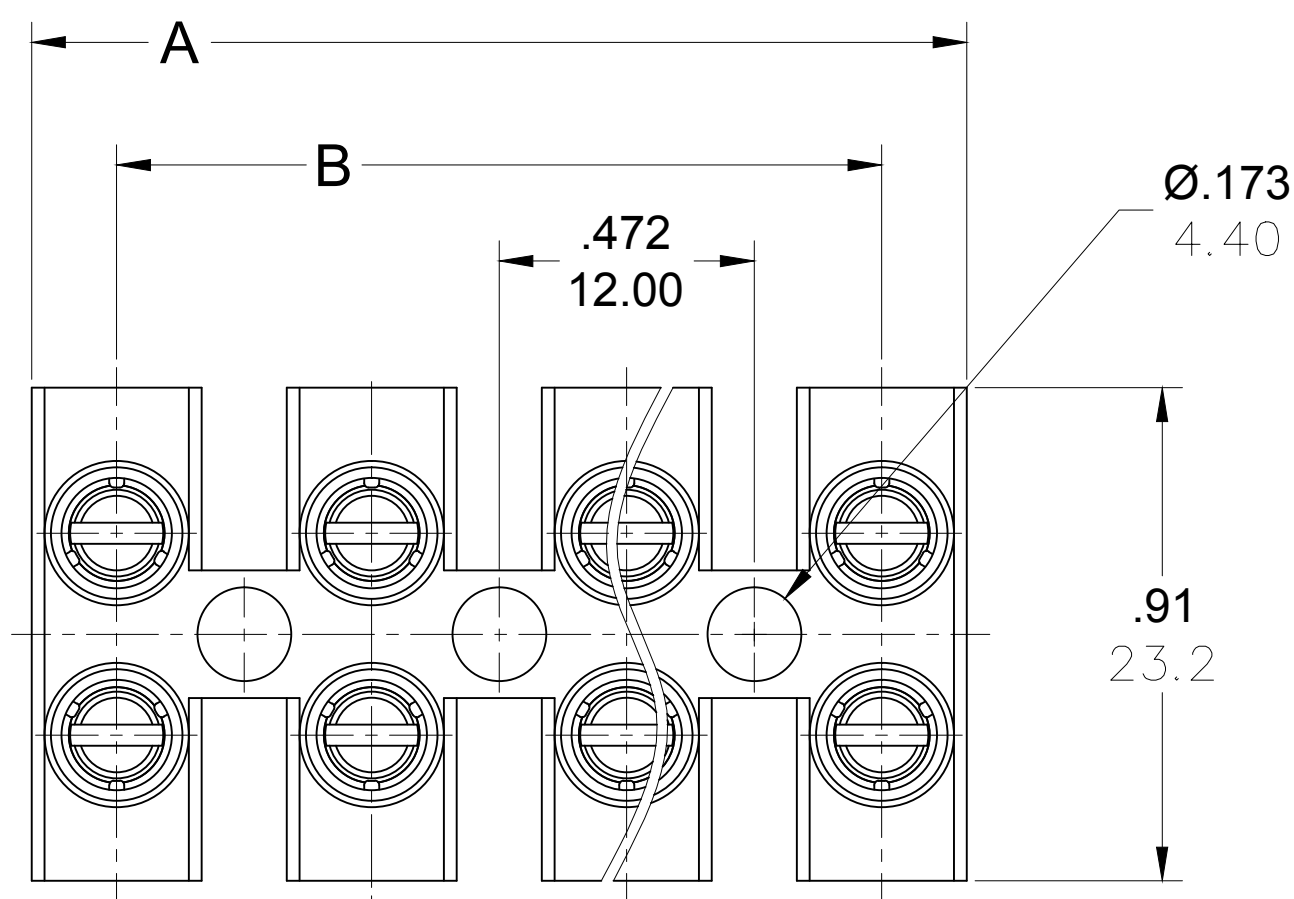
REF. LAST 2 DIGITS OF PART NUMBER EQUAL CIRCUIT COUNT



CONTACT FACTORY FOR OPTIONAL COLORS

### SPECIFICATIONS:

- Material:
  - (A) Screw: Steel, Zinc plated
  - (B) Body: PA66 UL94 V-0
  - (C) Cage: Brass, Nickel plated
  - (D) Terminal: Stainless Steel
2. Rating: 300V, 40amps
3. Wire range: 20-8 AWG
4. Max torque: 7.0 in lbs.
5. Dielectric voltage withstand: DC 3000V for 1 minute.
6. Insulation resistance: DC 1000V, 100G Ω
7. Rated Impulse Voltage: 4000V, Plus and Minus 5 times each
8. Strip Length: .24 in. (6.0mm)
9. Operating Temperature: -40° C to +105° C
10. Contact Resistance: < 3 mΩ
11. All dims. shown are for reference only



RELEASED EC NO: DC_LISLE DRWN: RSTONE 2014/07/11 CHKD: --- APPR: JFMURPHY 2014/07/21	DESCRIPTION REV A	QUALITY SYMBOL	GENERAL TOLERANCES (UNLESS SPECIFIED)	DIMENSION STYLE	SCALE	DESIGN UNITS	THIRD ANGLE PROJECTION	
		▽=0	mm INCH	IN/MM	---	METRIC	☉	
		▽C=0	4 PLACES ±--- ±---	DRAWN BY DATE	TITLE	MATERIAL NO.	DOCUMENT NO.	SHEET NO.
			3 PLACES ±--- ±.005	RSTONE 2014/07/11				
	2 PLACES ±0.13 ±.01	CHECKED BY DATE	---	---	---	---		
	1 PLACE ±0.3 ±---	APPROVED BY DATE	ANGULAR ±---°	JFMURPHY 2014/07/21	MOLEX INCORPORATED		SD-39100-016	
			DRAFT WHERE APPLICABLE MUST REMAIN WITHIN DIMENSIONS	SEE CHART			1 OF 1	
				SIZE C	THIS DRAWING CONTAINS INFORMATION THAT IS PROPRIETARY TO MOLEX INCORPORATED AND SHOULD NOT BE USED WITHOUT WRITTEN PERMISSION			