

PRELIMINARY

Product Overview

The 7027 "BuckToot" LED Power Module is a true constant-current regulated driver for LEDs. Unlike standard power supplies, which deliver a fixed voltage to the output, the BuckToot LED driver is designed to reliably vary the output voltage as required to deliver a stable constant current to the LED(s). The BuckToot exhibits very high efficiency and does not require external current limiting resistors or additional heat sinking.

The extremely small form-factor of the 7027 BuckToot makes it the ideal choice for many MR-11 and MR-16 integration applications since it can easily be incorporated into the housing assembly. Fully potted and sealed from harsh environments, the BuckToot measures only 10mm diameter x 19mm long* and is supplied with 150mm 24AWG colored leads. Custom sizes can be created to meet customer requirements. Contact LuxDrive for more information.



7027 BuckToot LED Driver Module powering (6) Luxeon I LEDs in series ($V_m \geq 24V$)

Features

- DC input power up to 28V surge protected
- True constant current output
- Extremely small form-factor* (10mm diameter x 19mm length)
- Output open and short circuit protection



Figure 1.
Wiring Connections

Typical Applications

- Solar & Landscape Lighting
- Architectural Lighting
- Track Lighting
- Automotive & Marine Lighting
- Portable Lighting & Flashlights
- Point of Purchase Lighting
- Desk & Reading Lamps
- Signal & Marker Lighting
- Cabinet & Display Case Lighting
- Sign & Channel Letters
- Much More...

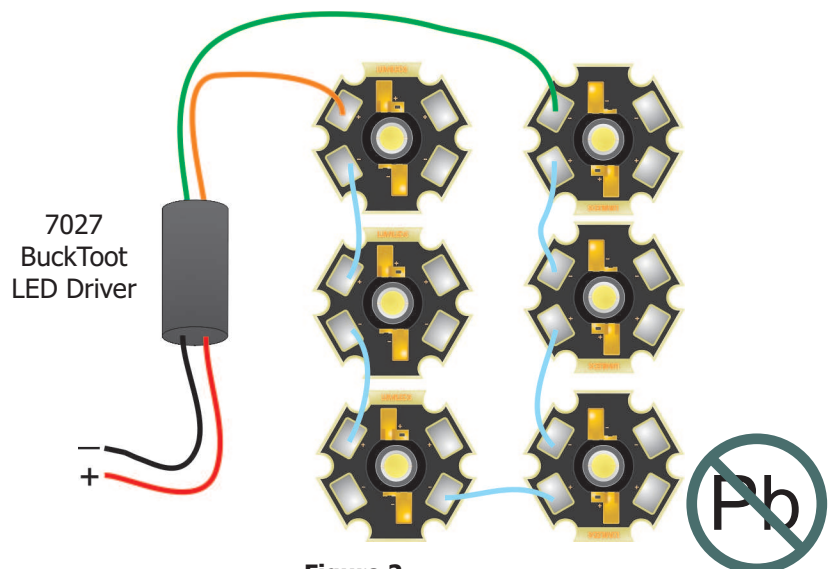


Figure 2.
BuckToot shown powering (6) Luxeon I LEDs in series ($V_{IN} = 24VDC$)



* - Units can be customized for OEM applications - Contact LuxDrive for more information

PRELIMINARY

Part Number Identification Table

| <i>Part Number</i> | <i>Input</i> | <i>Output Current</i> |
|--------------------|---------------|-----------------------|
| 7027-D-350 | 5-28 Volts DC | 350mA |

*Other currents available by special order.

Absolute Maximum Ratings

Input Voltage 28V DC

Typical Characteristics

Output current tolerance (within specified temp. range) . . ±10%
 Efficiency Up to 94%
 Input Voltage Minimum 5V_{DC}
 Input Margin (Vin - Vout) 2V_{DC}
 Ripple Current 15%

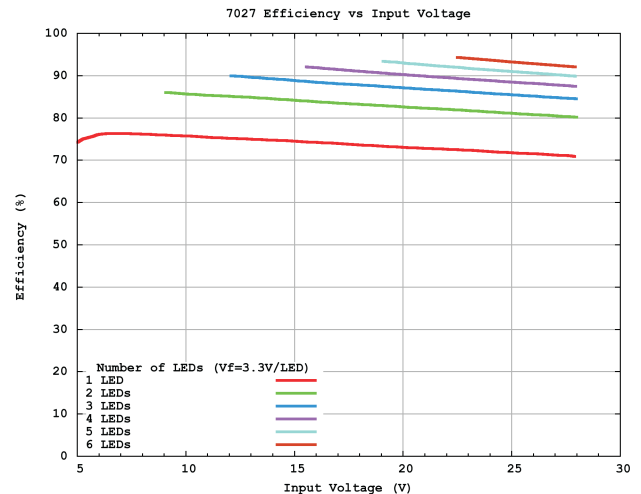


Figure 3.
Efficiency vs. Vin

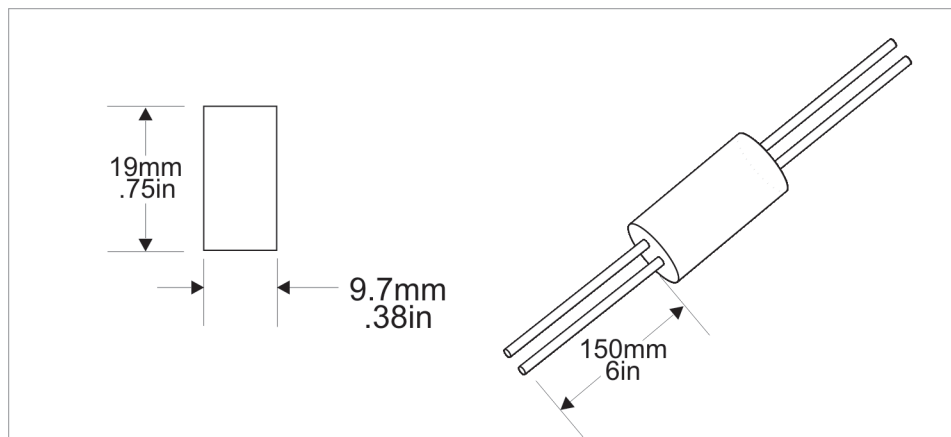
Specifications

Output current, 7027-D-xxx 350mA

Allowable case operating temperature -40-+85°C

Storage temperature -40-+125°C

Physical Dimensions



Shown approximately actual size

