

SILVERTRONIC

LEADS
...the way forward!

Leaside Industrial Estate,
Stockingswater Lane,
Enfield, Middx. EN3 7PH
Telephone: +44 (0)20 8805 3424
Facsimile: +44 (0)20 8805 3054

DECLARATION OF CONFORMITY

SILVERTRONIC Ltd. confirm that the products listed below have been Designed, Manufactured and Tested to, and therefore are fully compliant to;
IEC1010-1 1990 inc. Amendment 2-1995 & IEC1010-2-031 First Edition-1993
and thus meet **THE LOW VOLTAGE DIRECTIVE (LVD) 73/23/EEC and amending directive 93/68/EEC**

PRODUCT TYPE / DESCRIPTION				Pair 1000 Volt Push-on SPRUNG HOOKS	
PART No.				134204	
IEC1010 RATING	VOLTAGE	1000	Volts	INSULATION CATEGORY	III (3)

MAXIMUM RATED CURRENT	20	Amps
POLLUTION DEGREE	2	
INSULATION CATEGORY	DOUBLE/REINFORCED	

INCLUDES FOLLOWING ASSEMBLIES / COMPONENTS SUBJECT TO INDIVIDUAL TEST.	DESCRIPTION	PART No.
	Sprung Hook	121026



All Testing carried out by Third Party Testhouse
CRANAGE EMC TESTING Ltd.
(LVD TESTING DEPARTMENT)



www.silvertronic.com
e-mail: sales@silvertronic.com

Registration No. 1993292

North American Office
4405 Sharon Copley Road,
Medina, Ohio, 44256.
Toll Free: (866) 556 3308
Facsimile: (330) 722 2281



Date
24/03/97

Drn.By
Steve \$

Title
PAIR OF SPRUNG HOOKS

ISSUE No.

1
24/03/97

PROD. ISSUE

2
02/10/00

B.I.L.

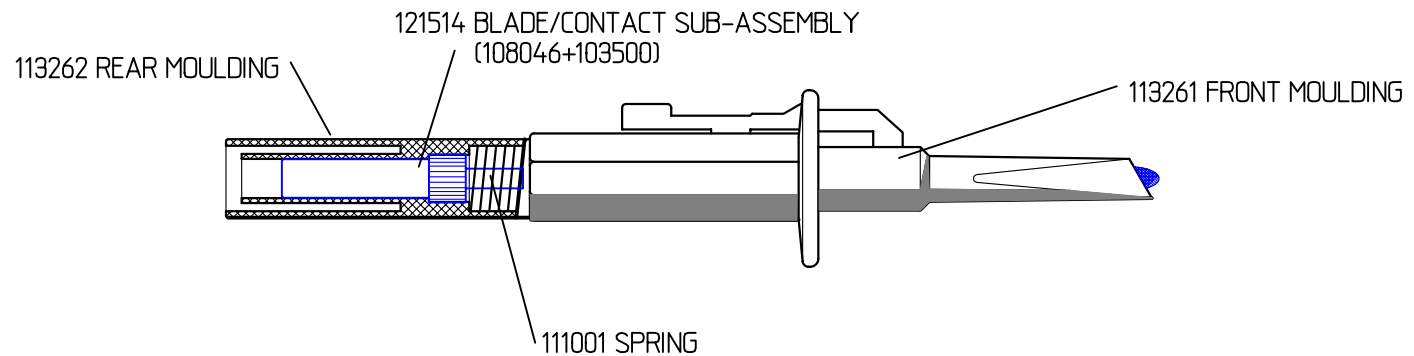
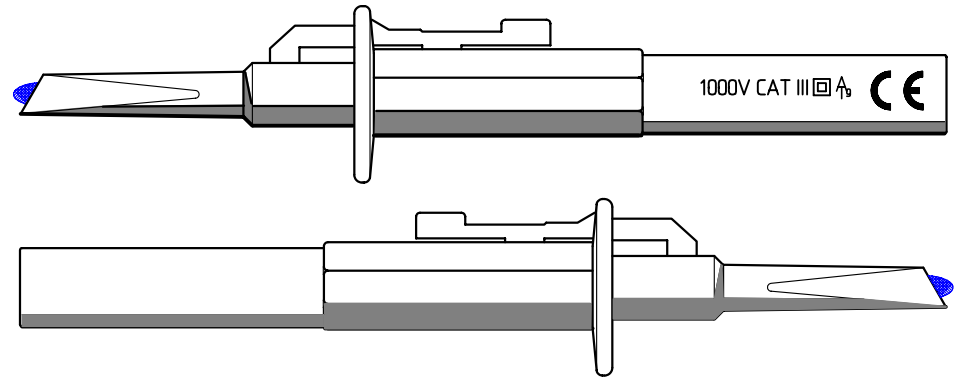
Part No.
134204

This drawing is not to be disclosed to a third party without the authority from the company.©

Scale
FULL SIZE

IEC 1010 COMPLIANT

I No. RED & BLACK 121026



ASSEMBLY JIG NUMBERS
121026=J107

PACKAGING
POLY BAG: 111513
LABEL: _

PRINTING AS ILLUSTRATED

TOLERANCES

CABLE LENGTHS +/- 5%

DO NOT SCALE.
ALL DIMENSIONS IN mm.

Mouser Electronics

Authorized Distributor

Click to View Pricing, Inventory, Delivery & Lifecycle Information:

[Silvertronic:](#)

[134204](#)