

MODULAR DESIGN

The G3 Universal Grips can be customized for top-of-the-line machines requiring high switch content, or to provide only basic control functions on lower tier units. The OTTO G3 Universal Grips have a modular design and were developed for use with OTTO's standard Pushbuttons, Rockers, Toggles, Hall Effect switches and the JH Hall Effect Joystick. Both the G3-0100 Small Universal Grip and the G3-0101 Medium Universal Grip are easily customized with multiple switch configurations, quickly and without tooling charges.

- **Modular design eliminates the need for tooling charges**
- **Compatible with the OTTO Hall Effect JH Series Joystick**
- **Small & medium sizes available**
- **Accommodates a full line of Pushbutton, Rocker, Toggle, HP Hall Effect & HPL Proportional Output series of switches**
- **Various mounting & termination options available**

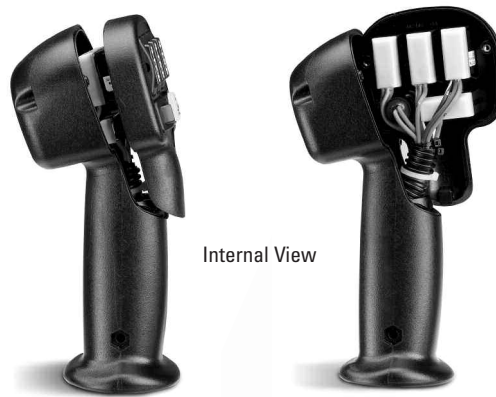


Small Universal Grip Shown Unpopulated and with Pushbutton and Rocker Switches

Medium Universal Grip Shown with Pushbutton and Rocker Switches



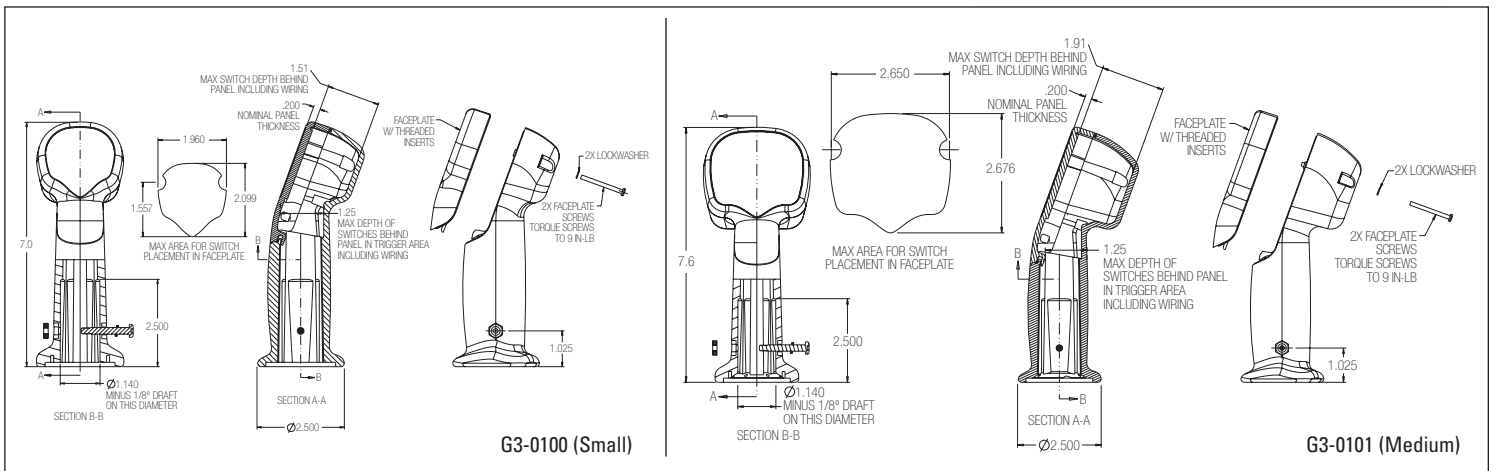
Custom Mounting Adapters Available



Internal View



Custom Terminations Available



Mouser Electronics

Authorized Distributor

Click to View Pricing, Inventory, Delivery & Lifecycle Information:

[OTTO:](#)

[G3-0100](#) [G3-0101](#)