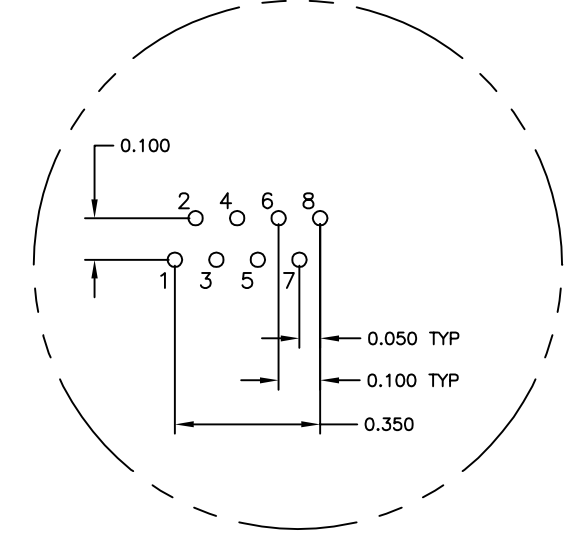
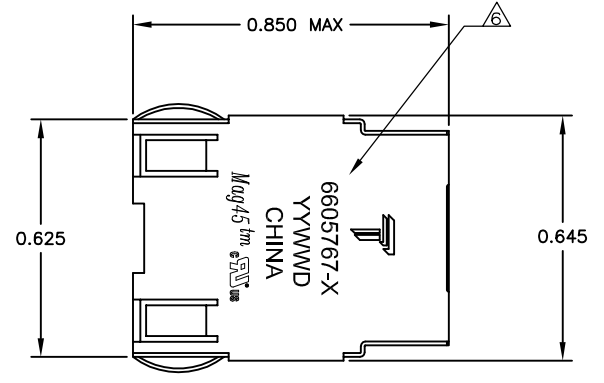
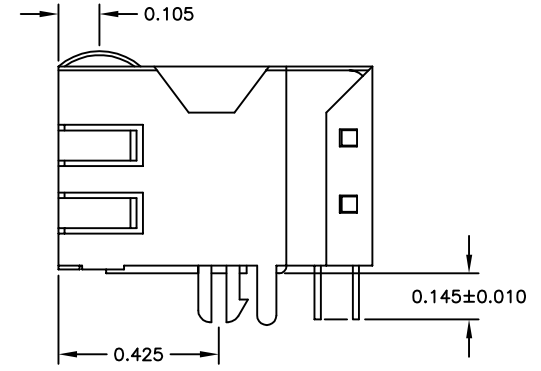
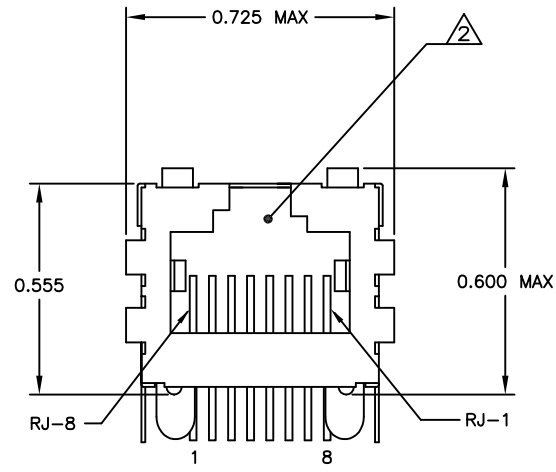


REVISIONS					
#	LN	DESCRIPTION	DATE	EN	APP'D
D		LOGO CHANGE	07APR2013	QL	KZ

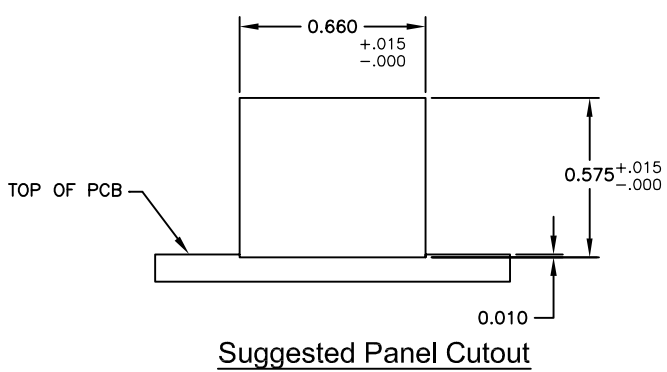
MECHANICAL:



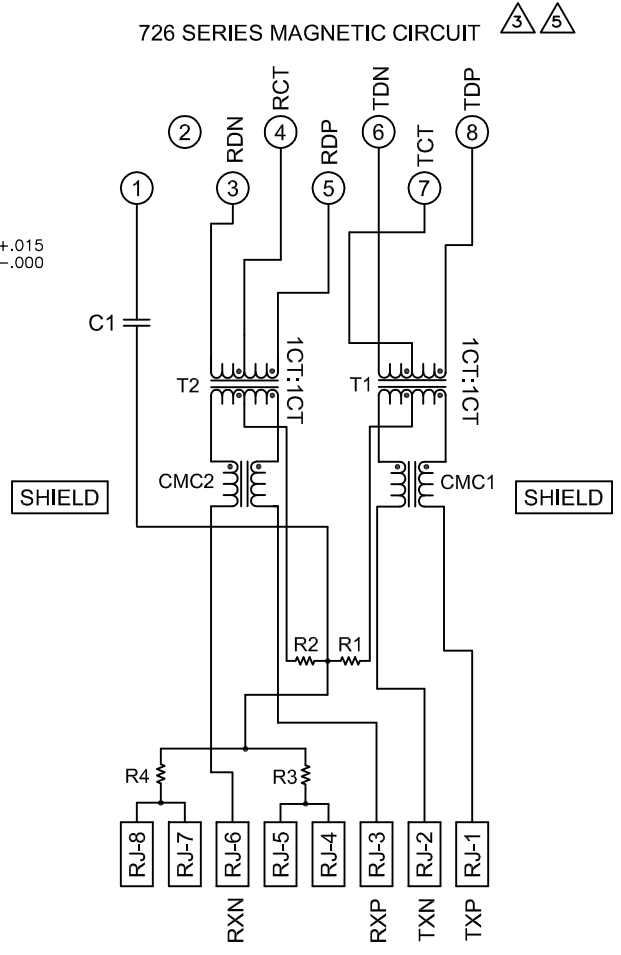
Pin Designations



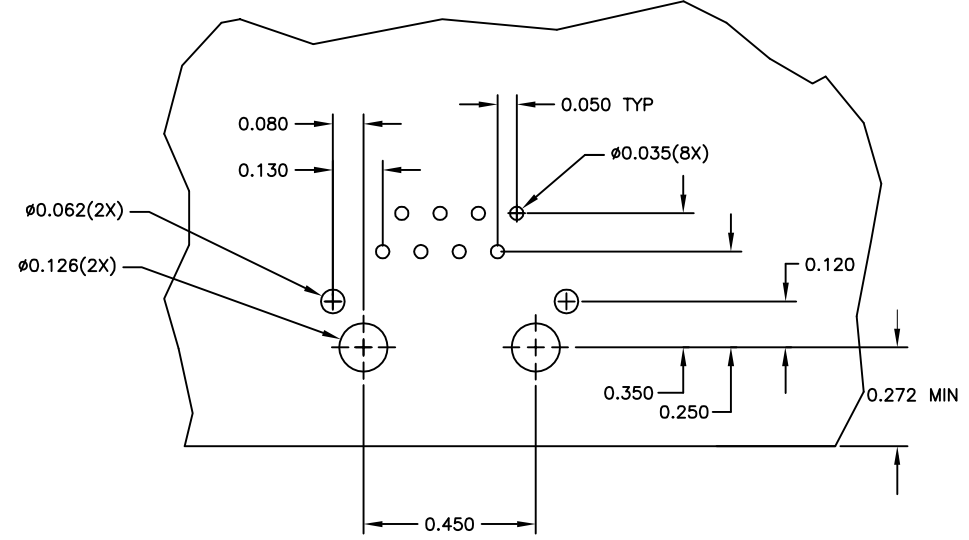
- △ **MATERIALS:**
 - HOUSING - THERMOPLASTIC PET POLYESTER FLAMMABILITY RATING UL 94V-0.
 - SHIELD - .010" THICK, C26800 BRASS PREPLATED WITH 30μINCH MIN SEMI-BRIGHT NICKEL, SOLDER TABS POST DIPPED WITH 100μINCH MIN SAC SOLDER.
 - MOD JACK CONTACTS - 0.0157" x 0.018" PHOSPHOR BRONZE, 50μINCH MIN OVERALL NICKEL UNDERPLATE, WITH SELECT 50μINCH MIN HARD GOLD FINISH PLATE.
 - SOLDERTAILS WITH 100μINCH MIN MATTE TIN AND/OR SAC SOLDER DIP.
- △ **RJ45 JACK CAVITY CONFORMS TO FCC RULES AND REGULATIONS PART 68, SUB PART F.**
- △ **MAGNETICS**
 - IMPEDANCE: 100 OHMS
 - TURNS RATIO (CHIP: CABLE): TX = 1:1, RX = 1:1
 - OPEN CIRCUIT INDUCTANCE (OCL): 350μH MIN @100kHz, 0.1VRMS, 8mADC BIAS FROM 0°C TO 70°C, TX AND RX
 - PERFORMANCE @ 25°C:
 - INSERTION LOSS (IL): 1.1dB MAX FROM 0.5MHz TO 100MHz
 - RETURN LOSS (RL): 18dB MIN FROM 0.5MHz TO 30MHz
 - 18-20LOG(f/30)dB MIN FROM 30.1MHz TO 60MHz
 - 12dB MIN FROM 60.1MHz TO 80MHz
 - CROSSTALK ATTENUATION: 35dB MIN FROM 0.5MHz TO 40MHz
 - 33-20*LOG(f/50)dB MIN FROM 40.1MHz TO 100MHz
 - COMMON MODE REJECTION RATIO (CMRR): 30dB MIN FROM 0.5MHz TO 100MHz
 - ISOLATION VOLTAGE: 2250VDC (MAX) FOR 60 SECONDS WITH A RISE TIME OF 500V/SEC.
- 4. OPERATING TEMPERATURE: FROM 0° TO +70°C
- △ **INDICATED CONNECTIONS ARE FOR NIC CONFIGURATION. THE MAGNETICS ARE SYMMETRIC, AND THEREFORE ARE AUTO-MDI/MDIX CAPABLE.**
- △ **TRP CONNECTOR LOGO, PART NUMBER, DATE CODE, COUNTRY OF ORIGIN AND AGENCY APPROVAL MARKING IN APPROXIMATE LOCATION SHOWN.**
- 7. THE PART IS RECOMMENDED FOR WAVE SOLDERING PROCESS, PREHEAT TEMPERATURE IS 120°C TO 160°C, 120 SECONDS TO 180 SECONDS, PEAK WAVE SOLDERING TEMPERATURE IS 260°C MAX, 10 SECONDS MAX.



Suggested Panel Cutout



C1 = 1000 pF, 2kV CAPACITOR
R1-R4 = 75 OHMS, 1/16 W RESISTORS



Suggested PCB Layout (Component Side)

6605767-1
 PART NUMBER

THIS DRAWING IS A CONTROLLED DOCUMENT.		ENR L. VARELA - DOCKS	02MAR2006	TRP connector
DIMENSIONS: INCHES		CHK D. FAROLE	02MAR2006	Dongguan China
TOLERANCES UNLESS OTHERWISE SPECIFIED:		APP'D D. FAROLE	02MAR2006	
0 PLG ± -	1 PLG ± -	PRODUCT SPEC	NAME	1X1 MAG45(TM), 7N2P7 SCHEMATIC, 726 SERIES CIRCUIT, SHIELDED, WITH DECOUPLING CAPACITOR, NO LEDS
2 PLG ± .010	3 PLG ± .005	APPLICATION SPEC	SIZE	A1
4 PLG ± -	ANGLES ± -	FINISH	SCALE	NTS
MATERIAL	FINISH	WEIGHT	DATE CODE	00779
CUSTOMER DRAWING		DRAWING NO	C=	6605767
SCALE		SHEET	1	1
REV		D		