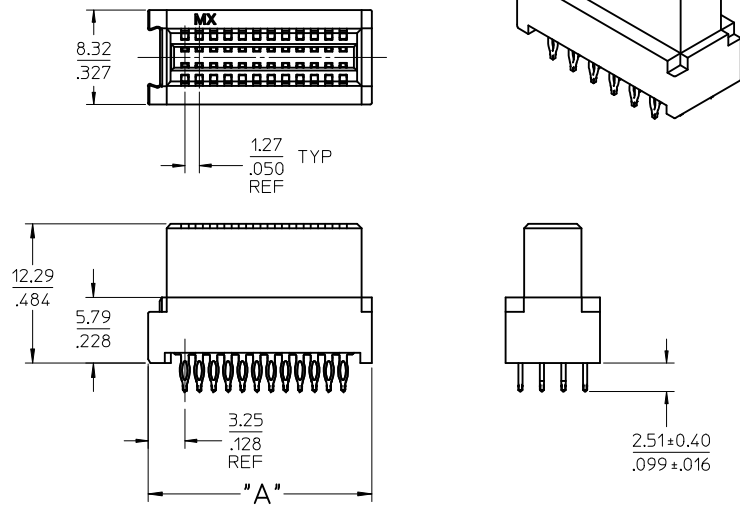
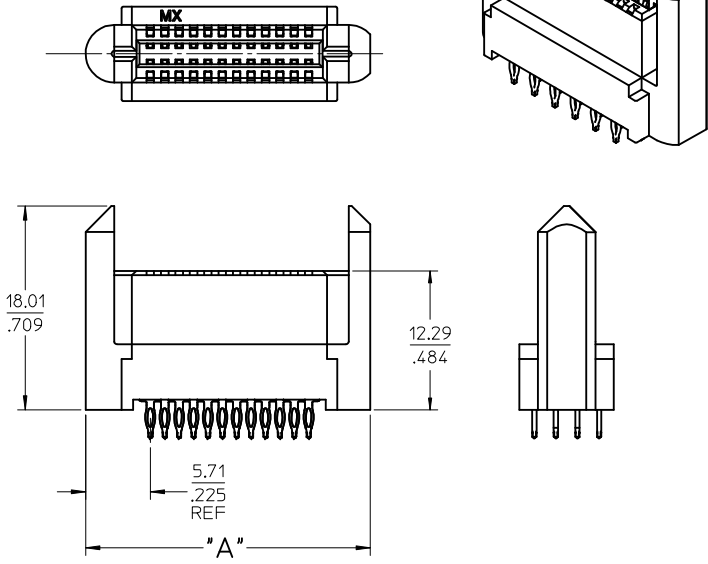


(B5)
P/N 46113-0241 SHOWN



P/N 46113-0243 SHOWN



- NOTES:
1. MATERIAL: HOUSING: LCP, 94-V0, COLOR: BLACK
POWER CONTACTS: COPPER ALLOY
SIGNAL CONTACTS: MODIFIED TIN BRASS
 2. FINISH: SELECT GOLD - 0.75 μ M/30 μ INCHES
SELECT TIN - 1.91 μ M/75 μ INCHES OR
SELECT TIN-LEAD - 1.91 μ M/75 μ INCHES
BOTH OVER NICKEL - 1.25 μ M/50 μ INCHES
 3. PARTS ARE RoHS COMPLIANT
 4. MATES TO MOLEX P/N 45985-SERIES OR
EDGE CARD 1571.062
 5. PRODUCT SPECIFICATION PS-46114-001
 6. PACKAGING: PER PK-46114-003

SIGNAL HOUSING ASSY - STANDARD

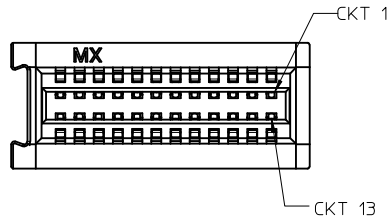
NO OF CKTS	MATERIAL NUMBER	COMPLIANT PIN PLATING	DIM "A"
12	46113-0121	TIN	12.13/1.478
16	46113-0161	TIN	14.67/1.578
20	46113-0201	TIN	17.21/1.678
24	46113-0241	TIN	19.75/1.778
28	46113-0281	TIN	22.29/1.878
32	46113-0321	TIN	24.83/1.978
36	46113-0361	TIN	27.37/1.078
40	46113-0401	TIN	29.91/1.178

SIGNAL HOUSING ASSY W/2 GUIDES

NO OF CKTS	MATERIAL NUMBER	COMPLIANT PIN PLATING	DIM "A"
12	46113-0123	TIN	17.49/1.689
16	46113-0163	TIN	20.03/1.789
20	46113-0203	TIN	22.57/1.889
24	46113-0243	TIN	25.11/1.989
28	46113-0283	TIN	27.65/1.089
32	46113-0323	TIN	30.19/1.189
36	46113-0363	TIN	32.73/1.289
40	46113-0403	TIN	35.27/1.389

REM TIN/LEAD MATL NOS EC NO: UCP2014-1002 DRWN:JOUILES 2013/09/03 CHKD:MBANDURA 2013/09/03 APPR:APATEL 2013/09/12	QUALITY SYMBOLS	GENERAL TOLERANCES (UNLESS SPECIFIED)		DIMENSION STYLE MM/IN		SCALE 3:1	DESIGN UNITS METRIC	THIRD ANGLE PROJECTION
	▽=0	4 PLACES ±	mm	INCH	DRAWN BY MKARADIMAS	DATE 2008/03/10	TITLE LPH VERTICAL RECEPTACLE SIGNAL ASSEMBLY 12 CKT-40 CKT, PRESS-FIT molex DOCUMENT NO. SD-46113-200 SHEET NO. 1 OF 2	
	▽=0	3 PLACES ±	±.010		CHECKED BY MBANDURA	DATE 2008/03/14		
	▽=0	2 PLACES ±	±0.25		APPROVED BY JCOMERC I	DATE 2009/12/03		
▽=0	1 PLACE ±	±		MATERIAL NO.				
B5	DESCRIPTION	ANGULAR ±1/2°		DRAFT WHERE APPLICABLE MUST REMAIN WITHIN DIMENSIONS		SEE CHART		

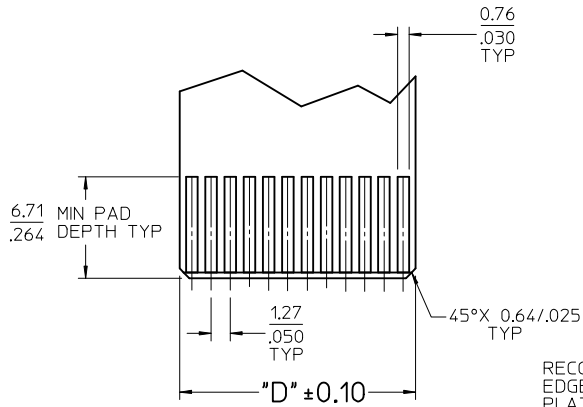
SIGNAL 24 CKT



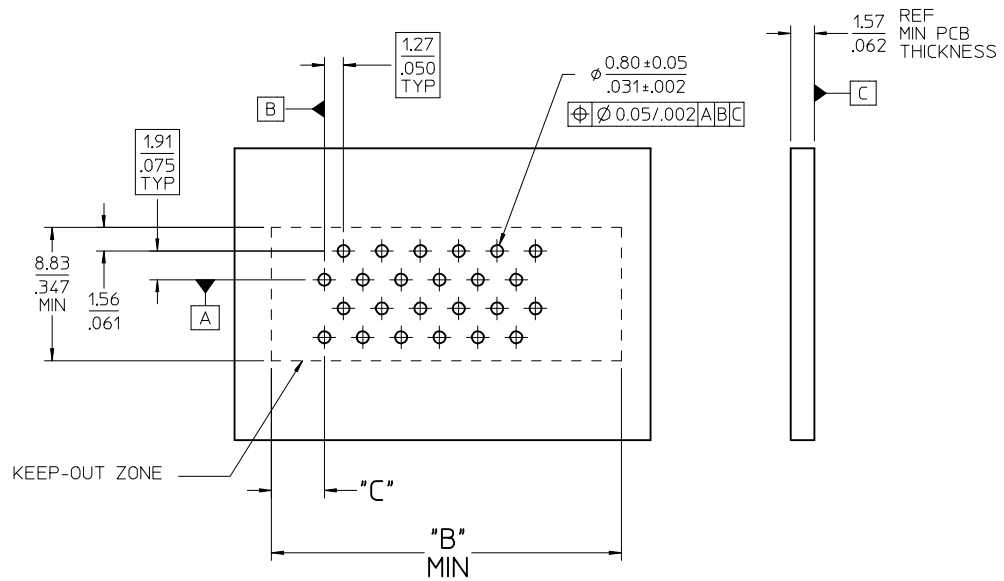
(B5)

SIGNAL HOUSING ASSY - STANDARD				
NO OF CKTS	MATERIAL NUMBER	DIM "B"	DIM "C"	DIM "D"
12	46113-0121	12.65/.498	3.51/.138	8.00/.315
16	46113-0161	15.19/.598		10.54/.415
20	46113-0201	17.73/.698		13.08/.515
24	46113-0241	20.27/.798		15.62/.615
28	46113-0281	22.81/.898		18.16/.715
32	46113-0321	25.35/.998		20.70/.815
36	46113-0361	27.89/1.098		23.24/.915
40	46113-0401	30.43/1.198		25.78/1.015

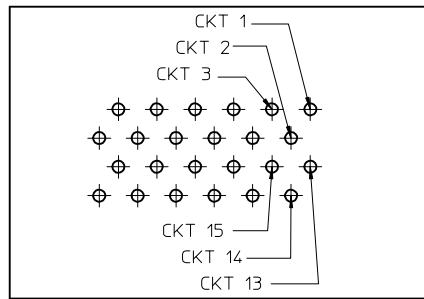
SIGNAL HOUSING ASSY W/2 GUIDES				
NO OF CKTS	MATERIAL NUMBER	DIM "B"	DIM "C"	DIM "D"
12	46113-0123	18.01/.709	5.97/.235	8.00/.315
16	46113-0163	20.55/.809		10.54/.415
20	46113-0203	25.63/1.009		13.08/.515
24	46113-0243	25.88/1.019		15.62/.615
28	46113-0283	28.17/1.109		18.16/.715
32	46113-0323	30.71/1.209		20.70/.815
36	46113-0363	33.25/1.309		23.24/.915
40	46113-0403	35.79/1.409		25.78/1.015



RECOMMENDED EDGE CARD LAYOUT
 EDGE CARD THICKNESS: 1.57/.062
 PLATING: GOLD 30μ INCHES MIN
 OVER 150μ INCHES NICKEL



PCB COMPONENT SIDE



PCB LAYOUT: COMPONENT SIDE
 SEE SHT 1 FOR DIMENSIONS

SEE SHEET 1 EC NO: UCP2014-1002 DRAWN: JUILLES 2013/09/03 CHKD: MBANDURA 2013/09/03 APPR: APATEL 2013/09/13	DESCRIPTION	QUALITY SYMBOLS	GENERAL TOLERANCES (UNLESS SPECIFIED)	DIMENSION STYLE	SCALE	DESIGN UNITS	THIRD ANGLE PROJECTION
		▽=0 ▽=0 ▽=0	mm INCH	MM/IN	4:1	METRIC	
REV: B5	DRAFT WHERE APPLICABLE MUST REMAIN WITHIN DIMENSIONS	4 PLACES ± --- ± ---	DRAWN BY	DATE	TITLE LPH VERTICAL RECEPTACLE SIGNAL ASSEMBLY 12 CKT-40 CKT, PRESS-FIT molex		
		3 PLACES ± --- ± .010	MKARADIMAS	2008/03/10			
REV: B5	DRAFT WHERE APPLICABLE MUST REMAIN WITHIN DIMENSIONS	2 PLACES ± 0.25 ± ---	CHECKED BY	DATE	DOCUMENT NO. SD-46113-200 SHEET NO. 2 OF 2		
		1 PLACE ± --- ± ---	MBANDURA	2008/03/14			
REV: B5	DRAFT WHERE APPLICABLE MUST REMAIN WITHIN DIMENSIONS	0 PLACE ± --- ± ---	APPROVED BY	DATE	THIS DRAWING CONTAINS INFORMATION THAT IS PROPRIETARY TO MOLEX INCORPORATED AND SHOULD NOT BE USED WITHOUT WRITTEN PERMISSION		
		ANGULAR ±1/2°	JCOMERC I	2009/12/03			