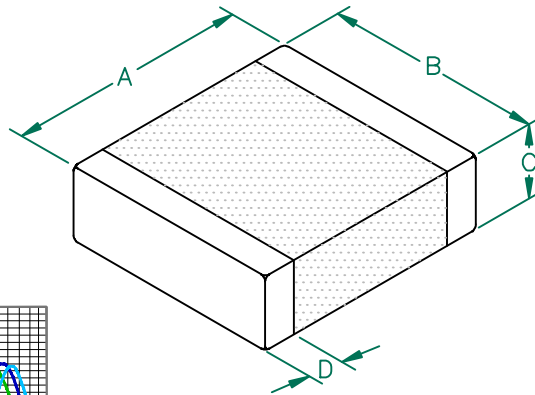


HI2220P551R-10

UNCONTROLLED DOCUMENT

PHYSICAL DIMENSIONS:

A	5.59 [.220]	+ 0.51 [.020]
B	5.08 [.200]	+ 0.25 [.010]
C	1.97 [.078]	+ 0.25 [.010]
D	0.76 [.030]	+ 0.25 [.010]



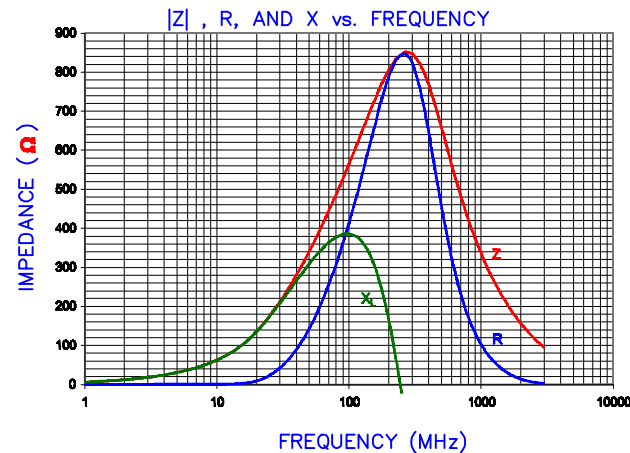
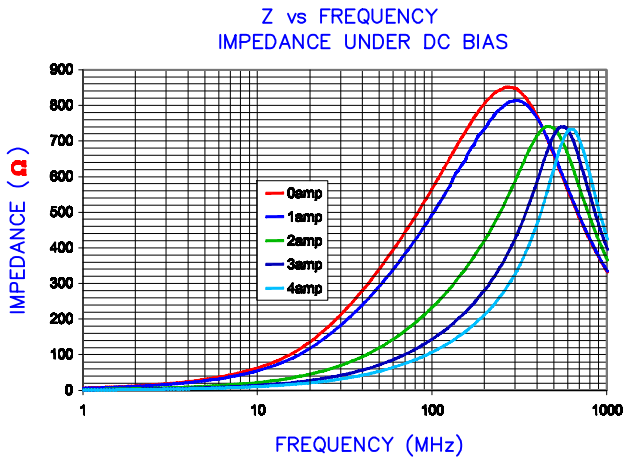
ELECTRICAL CHARACTERISTICS:

Z @ 100 MHz (Ω)	DCR (Ω)	Rated Current
Nominal	550	
Minimum	440	
Maximum	660	4000 mA

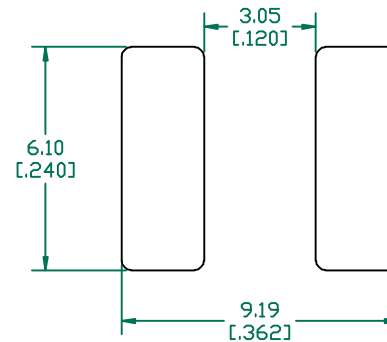
MIN. Z FROM 50MHz TO 1 GHz = 270 Ω .

NOTES: UNLESS OTHERWISE SPECIFIED

1. TAPED AND REELED per CURRENT EIA SPECIFICATIONS 13" REELS, 2,000 PCS/REEL.
2. TERMINATION FINISH IS 100% TIN.
3. COMPONENTS SHOULD BE ADEQUATELY PREHEATED BEFORE SOLDERING.

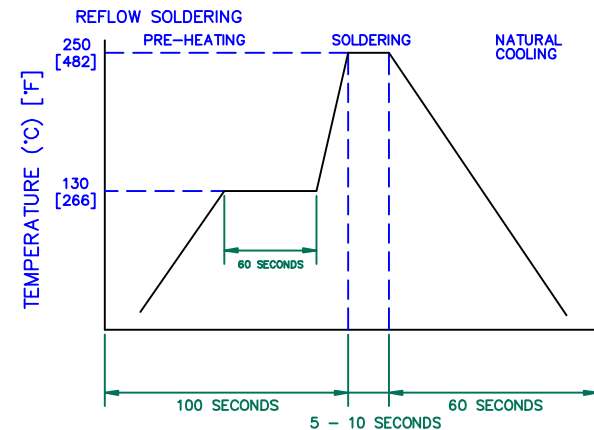


LAND PATTERNS FOR REFLOW SOLDERING



(For wave soldering, add 0.762 [.030] to this dimension.)

RECOMMENDED SOLDERING CONDITIONS



DIMENSIONS ARE IN mm [INCHES].				This print is the property of Laird Tech. and is loaned in confidence subject to return upon request and with the understanding that no copies shall be made without the written consent of Laird Tech. All rights to design or invention are reserved.			
PROJECT/PART NUMBER: HI2220P551R-10				REV B	PART TYPE: CO-FIRE	DRAWN BY: TMB	
B	UPDATE LOGO ADD ROHS SYMBOL	01/23/08	JRK	DATE: 03/26/04	SCALE: NTS	SHEET: 2 of 2	
A	ORIGINAL DRAFT	03/26/04	TMB	CAD #	TOOL #		
REV	DESCRIPTION	DATE	INT	HI2220P551R-10-B			