



SERIES RP3508 SWITCHES

PUSHBUTTON SWITCHES - ILLUMINATED



SPECIFICATIONS

Contact Rating: 3A@125 VAC
1.5A@250 VDC

Life Expectancy (Mechanical): ≥20,000 cycles

Life Expectancy (Electrical): ≥6,000 cycles

Insulation Resistance: > 1,000M Ω

Dielectric Strength: > 1,500 volts 1 minute

Operating Temperature: 0°C to +65°C

Storage Temperature: -25°C to +85°C

MATERIALS

Switch Housing: UL94-HB

Terminals: Solder lug, silver-plated

FEATURES & BENEFITS

- ▶ Panel mount
- ▶ Illuminated
- ▶ Standard green, red and yellow LED options

APPLICATIONS/MARKETS

- ▶ Telecommunications
- ▶ Networking
- ▶ Computers/servers
- ▶ Performance audio
- ▶ Instrumentation
- ▶ Low power on/off designs
- ▶ External hard drives and modems

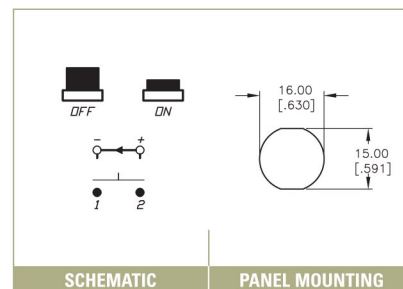
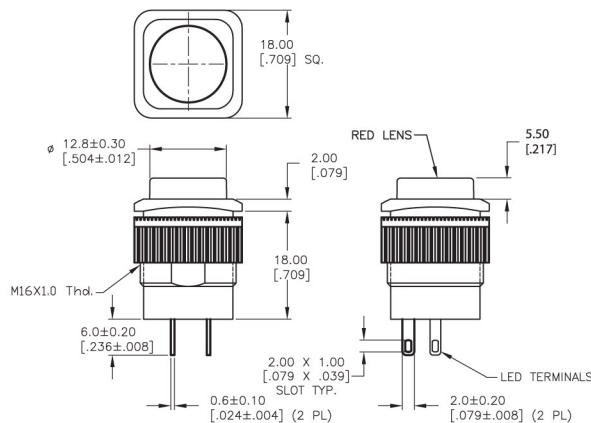
HOW TO ORDER

SERIES	MODEL NO.	CIRCUIT	HOUSING COLOR	ACTUATOR COLOR	LED COLOR	MARKING	TERMINATION
RP	3508	A = SPST OFF-ON B = SPST OFF-ON	BLK = Black	GRN = Green RED = Red YEL = Yellow	N = None GRN = Green RED = Red YEL = Yellow	N = None	S = Solder Lug

▶ ▶ ▶ **Example Ordering Number**
 RP-3508-A-BLK-RED-GRN-N-S

Specifications subject to change without notice.

RP 3508



Mouser Electronics

Authorized Distributor

Click to View Pricing, Inventory, Delivery & Lifecycle Information:

E-Switch:

[RP3508BBLKYELNNS](#) [RP3508BBLKGRNNS](#) [RP3508BLGRN](#) [RP3508BLRED](#) [RP3508BLYEL](#)
[RP3508ABLKGRNGRNNS](#) [RP3508ABLKREDNNS](#) [RP3508ABLKREDREDNS](#) [RP3508ABLKYEYELNS](#)
[RP3508BBLKGRNGRNNS](#) [RP3508BBLKREDNNS](#) [RP3508BBLKREDREDNS](#) [RP3508BBLKYEYELNS](#)
[RP3508BBLKCLRREDGRNNS](#)