

PLEASE CHECK WWW.MOLEX.COM FOR LATEST PART INFORMATION

Part Number: [0541044531](#)
Status: **Active**
Description: 0.50mm (.020") Pitch FFC/FPC Connector, Right Angle, SMT, ZIF, Top Contact Style, 45 Circuits, Lead-free, 0.1µm (4µ") Gold (Au) Plating

Documents:

[3D Model](#) [Product Specification PS-54104-071 \(PDF\)](#)
[Drawing \(PDF\)](#) [RoHS Certificate of Compliance \(PDF\)](#)

General

Product Family FFC/FPC Connectors
 Series [54104](#)
 Product Name N/A

Physical

Circuits (Loaded) 45
 Color - Resin Natural
 Contact Position Top
 Durability (mating cycles max) 20
 Entry Angle 90° Angle
 Flammability 94V-0
 Mated Height (in) 0.079 In
 Mated Height (mm) 2.00 mm
 Material - Metal Phosphor Bronze
 Material - Plating Mating Gold
 Material - Plating Termination Gold
 Material - Resin High Temperature Thermoplastic
 Number of Rows 1
 Orientation Right Angle
 PC Tail Length (in) 0.024 In
 PC Tail Length (mm) 0.60 mm
 PCB Locator No
 PCB Retention Yes
 Packaging Type Embossed Tape on Reel
 Pitch - Mating Interface (in) 0.020 In
 Pitch - Mating Interface (mm) 0.50 mm
 Plating min: Mating (µin) 4
 Plating min: Mating (µm) 0.1
 Plating min: Termination (µin) 2
 Plating min: Termination (µm) 0.05
 Polarized to PCB Yes
 Stackable No
 Surface Mount Compatible (SMC) N/A
 Temperature Range - Operating -20°C to +85°C
 Termination Interface: Style Surface Mount
 Wire/Cable Type FFC/FPC

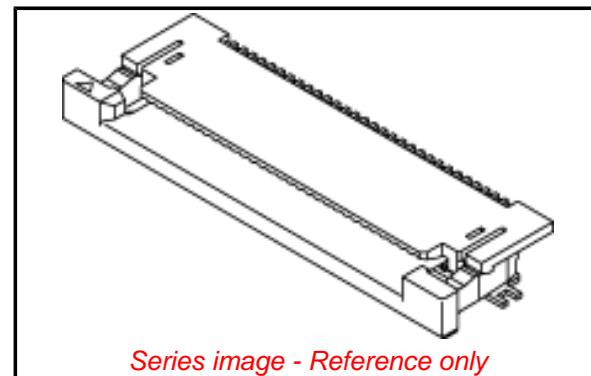
Electrical

Current - Maximum 0.5A
 UL E29179
 Voltage - Maximum 50V

Material Info

Reference - Drawing Numbers

Product Specification PS-54104-071
 Product Specification RPS-54104-077
 Product Specification RPS-54104-079



Series image - Reference only

EU RoHS

**ELV and RoHS
 Compliant**
**REACH SVHC
 Contains SVHC: No**
**Halogen-Free
 Status
 Not Reviewed**

China RoHS



**Need more information on product
 environmental compliance?**

Email productcompliance@molex.com
 Please visit the [Contact Us](#) section for any
 non-product compliance questions.

Search Parts in this Series

[54104 Series](#)

Product Specification
Product Specification
Product Specification
Product Specification
Product Specification
Product Specification
Product Specification
Sales Drawing
Sales Drawing

RPS-54104-081
RPS-54104-082
RPS-54104-083
RPS-54104-084
RPS-54104-086
RPS-54104-088
RPS-54104-089
SD-54104-077
SD-54104-078

This document was generated on 11/06/2009

PLEASE CHECK WWW.MOLEX.COM FOR LATEST PART INFORMATION