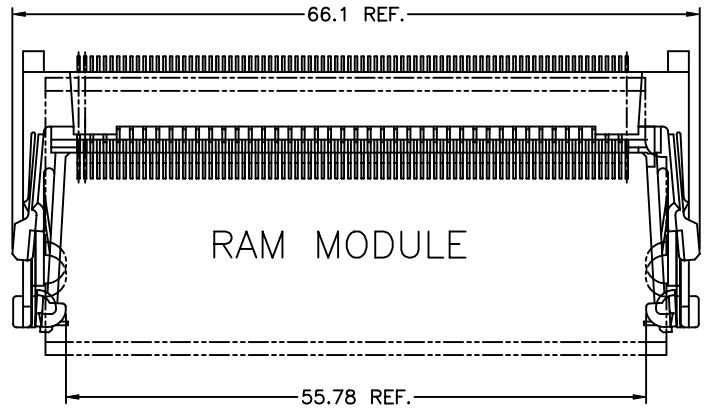
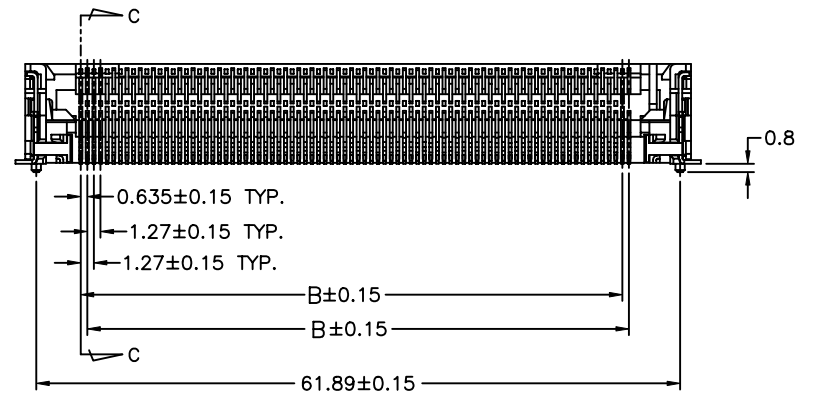
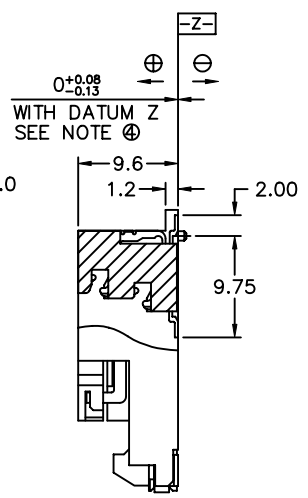
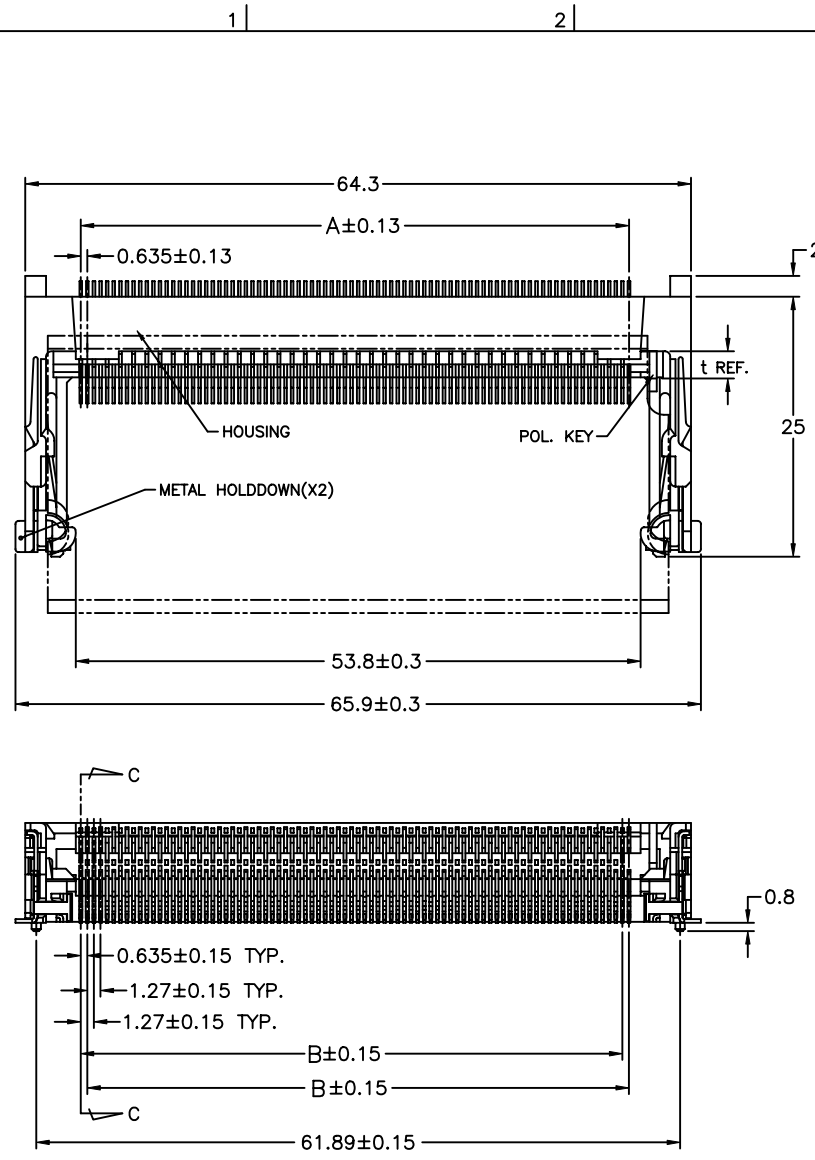


Tous droits strictement réservés. Reproduction ou communication, a des tiers int
 propriété de c FCI ELECTRONICS.
 Droits de reproduction FCI ELECTRONICS by
 FCI
 All rights strictly reserved. Reproduction or issue to third parties in any for
 in whole or in part, without written authority from the proprietor.
 Copyright, FCI ELECTRONICS by
 FCI



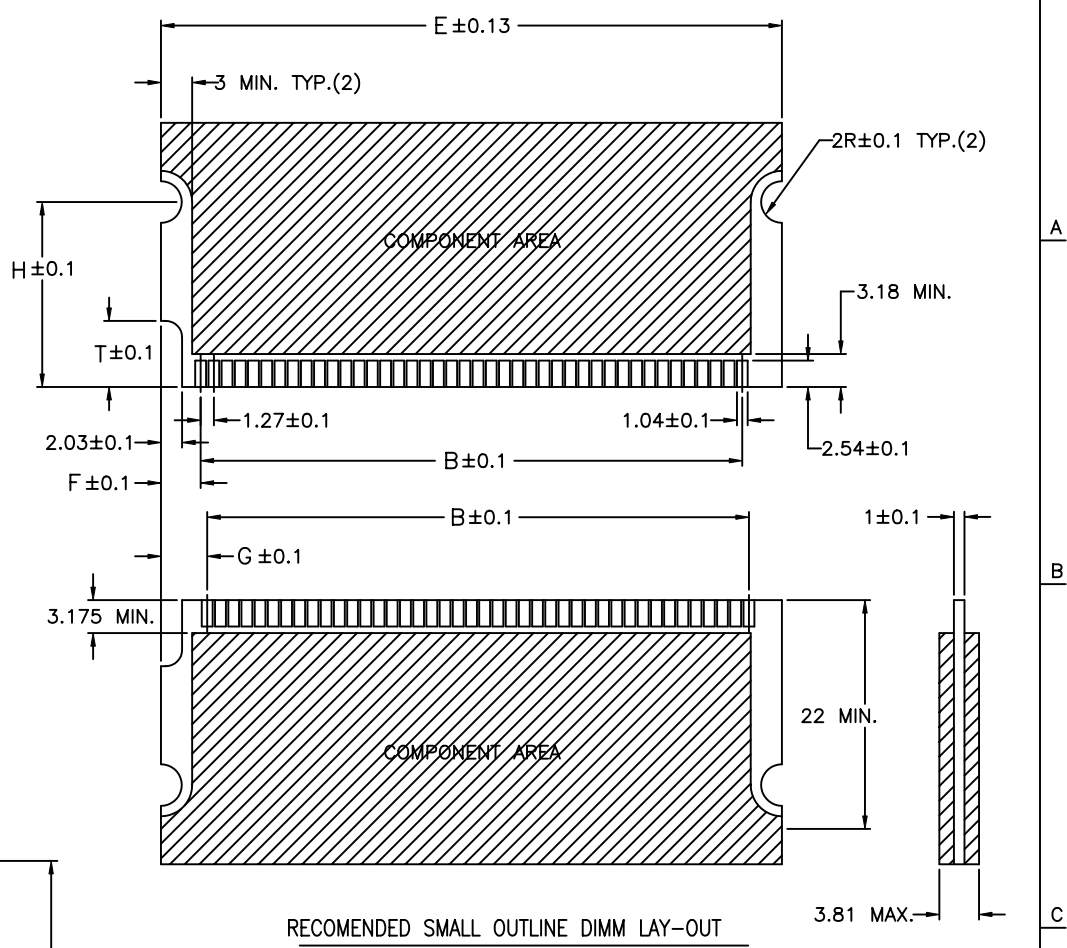
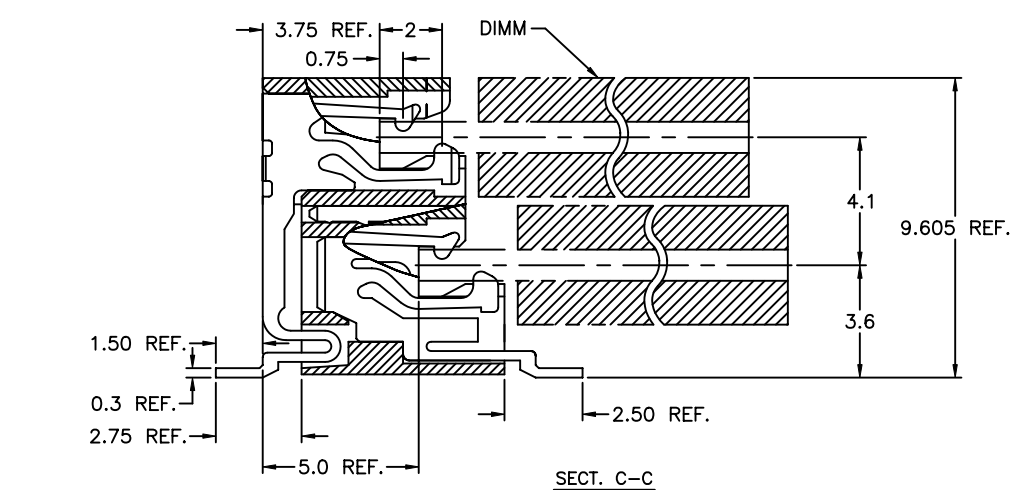
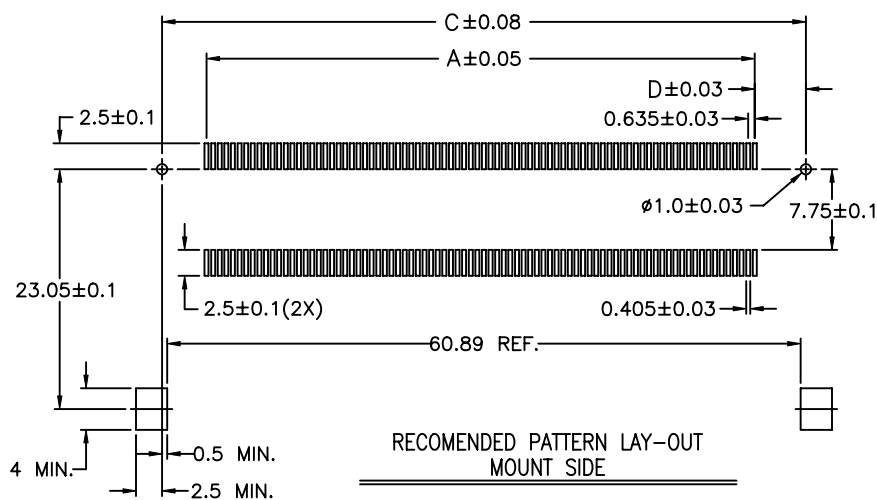
- NOTE:
- MATERIAL: a. HOUSING--LCP, UL94V-0 RATED.
b. TERMINAL--PHOSPHOR BRONZE.
c. METAL HOLDDOWN--PHOSPHOR BRONZE.
 - FINISH: a. TERMINAL--50μ*(MIN.) NICKEL UNDERPLATING OVERALL, GOLD OR TIN/LEAD PLATING IN CONTACT AREA, AND 100μ*(MIN.) TIN/LEAD PLATING FOR SOLDER TAILS
b. METAL HOLDDOWN: 50μ*(MIN.) NICKEL UNDERPLATING, AND 100μ*(MIN.) TIN/LEAD PLATING OVERALL.
 - PRODUCT SPECIFICATION: GES-12-063.
- ④ DATUM Z IS DEFINED ALONG THE BOTTOM SURFACE OF HSG. ALL SOLDERING SURFACE, INCLUDING METAL HOLDDOWN AND TERMINAL TAILS, CAN BE 0.08mm ABOVE THE DATUM Z TO 0.13mm BELOW THE DATUM Z. (SHOWN IN SIDE VIEW) COPLANARITY SPEC FOR ALL SURFACE TO BE SOLDERED ONTO THE PCB IS 0.10mm MAX.
5. PRODUCT NUMBER DESCRIPTION: 61327-****T

- TAPE & REEL
- POSITION NO.
72: 2x72 POS.
84: 2x84 POS.
- CONTACT AREA PLATING:
1: 150μ*(3.81μm MIN.) TIN/LEAD.
8: 8μ*(0.203μm MIN.) GOLD.
- PEG OPTION:
1: WITH PEG.
- STYLE:
3: FOR 3.3V, COLOR IVORY.
4: FOR 3.3V, COLOR BLACK.
5: FOR 5.0V, COLOR IVORY.
6: FOR 5.0V, COLOR BLACK.

mat'l code		tolerance unless otherwise specified		CUSTOMER COPY	FCI Electronics www.fciconnect.com	
rev. ecn no.	dr	date	linear	.0 ± 0.25	projection	title SMALL OUTLINE DIMM SOCKET ASS'Y DOUBLE DECK
A	T60200	R J 05/20/96		.00 ± 0.15	product family code TWN	
B	T60273	R J 07/15/96	angles	.000 ± 0.05		size
C	T60471	R J 04/22/97		± 2°	scale	sheet
D	T70408	M W 09/24/97	dr	CATHY LIN 03/12/96	unit	product family
E	T00329	M W 12/20/00	engr	V. CHUANG 03/12/96	mm/inch	code
F	T05-0039	R C 02/25/05	chr	V. CHUANG 03/12/96	scale	dwg no.
			appd	JENN TSAO 03/12/96	2 : 1	61327
sheet	revision	F	F			
index	sheet	1	2			1 OF 2

Tous droits strictement réservés. Reproduction ou communication, à des tiers int
 propriété de c FCI ELECTRONICS.
 Droits de reproduction FCI ELECTRONICS by
 FCI
 All rights strictly reserved. Reproduction or issue to third parties in any for
 inverter is not permitted without written authority from the proprietor.
 Copyright FCI ELECTRONICS by
 FCI

PRODUCT NO.	DIMENSIONS									POS.
	A	B	C	D	E	F	G	H	T/t	
61327 -31872 -41872	45.085	44.45	61.89	8.72	59.69	7.62	8.25	17.78	3.18/-0.5 FOR 3.3V	72
-51872 -61872	45.085	44.45	61.89	8.72	59.69	7.62	8.25	17.78	6.35/2.6 FOR 5.0V	
-31884 -41884	52.705	52.07	61.89	4.91	59.69	3.81	4.44	17.78	3.18/-0.5 FOR 3.3V	84
-51884 -61884	52.705	52.07	61.89	4.91	59.69	3.81	4.44	17.78	6.35/2.6 FOR 5.0V	



mat'l code		tolerance unless otherwise specified		CUSTOMER COPY		 Electronics FCI www.fciconnect.com	
rev.	ecn no.	dr	date	linear	.0 ± 0.25	projection	title
F					.00 ± 0.15		SMALL OUTLINE DIMM SOCKET ASS'Y DOUBLE DECK
				angles	.000 ± 0.05		
					± 2°		
		dr	CATHY LIN 03/12/96	unit	mm/inch	product family	code
		enqr	V. CHUANG 03/12/96	scale	2 : 1	size	TWN
		chr	V. CHUANG 03/12/96			dwg no.	sheet
		appd	JENN TSAO 03/12/96			61327	2 OF 2
sheet	revision						
index	sheet						