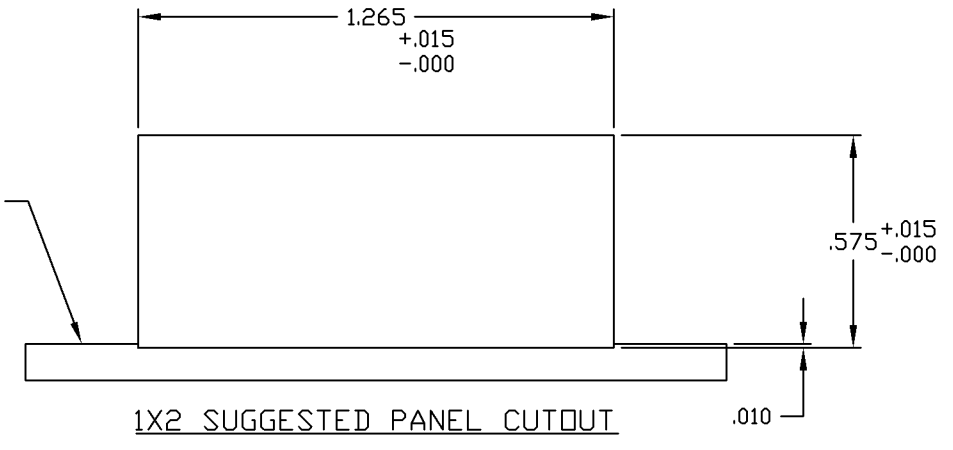
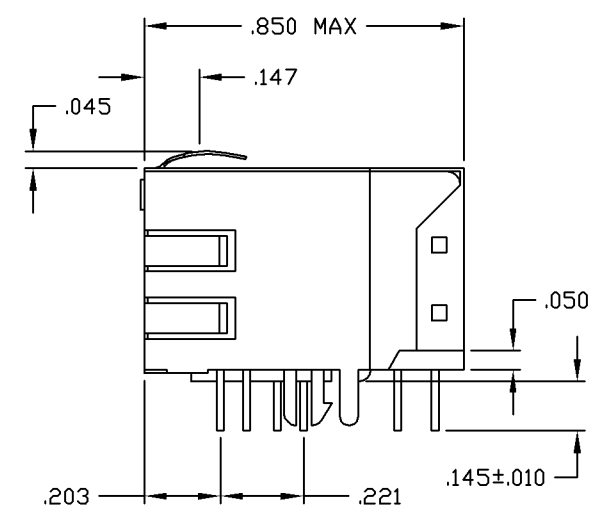
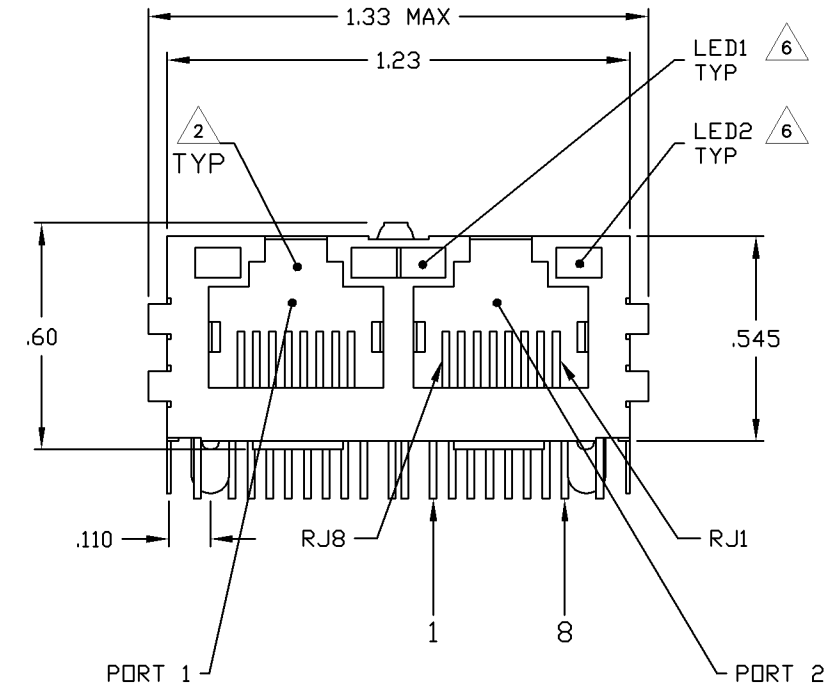
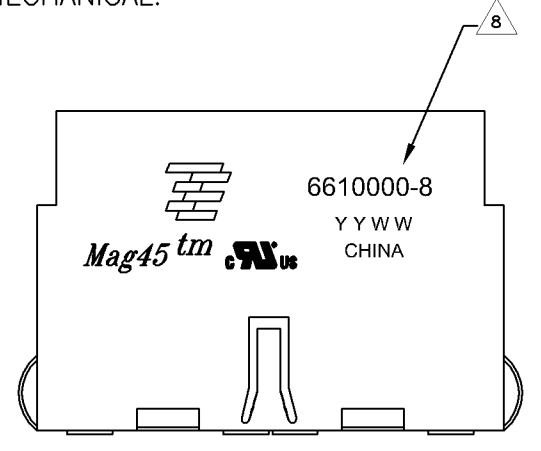


THIS DRAWING IS UNPUBLISHED. RELEASED FOR PUBLICATION BY TYCO ELECTRONICS CORPORATION. ALL RIGHTS RESERVED.

LOC	REV	DESCRIPTION	DATE	BY	APP'D
AA	22				
B		REV PER ECO-08-017416	27JUN2008	QL	TX

MECHANICAL:



- 1 MATERIALS:
 - HOUSING - THERMOPLASTIC PET POLYESTER FLAMMABILITY RATING UL 94V-0.
 - SHIELD - .010" THICK, C26800 BRASS PREPLATED WITH 30μINCH MIN SEMI-BRIGHT NICKEL.
 - SOLDER TABS POST DIPPED WITH 100μINCH MIN SAC SOLDER.
 - MOD JACK CONTACTS - 0.0157 X 0.018" PHOSPHOR BRONZE, 50μINCH MIN OVERALL NICKEL UNDERPLATE WITH SELECT 50μINCH MIN HARD GOLD FINISH PLATE. SOLDER TAILS WITH 100μINCH MIN MATTE TIN AND/OR SAC SOLDER DIP.
 - LIGHT EMITTING DIODE(LED) - DIFFUSED EPOXY LENS, .020" X .020" CARBON STEEL WIREFRAME LEADS PRE-PLATED WITH 80μINCH SILVER OVER 40μINCH NICKEL UNDERPLATE OVER 40μINCH COPPER UNDERPLATE. POST-PLATED WITH 100μIN MIN MATTE TIN AND/OR SAC SOLDER DIP OR PURE TIN SOLDER DIP.
- 2 RJ45 JACK CAVITY CONFORMS TO FCC RULES AND REGULATIONS PART 68, SUB PART F.
- 3 MAGNETICS
 - IMPEDANCE: 100 OHMS
 - TURNS RATIO (CHIP CABLE): TX = 1, RX = 1:1
 - OPEN CIRCUIT INDUCTANCE (OCL): 350μH MIN @100kHz, 0.1VRMS, 8mADC BIAS FROM 0°C TO 70°C, TX AND RX
 - PERFORMANCE @ 25°C:
 - INSERTION LOSS (IL): 1.1dB MAX FROM 0.5MHz TO 100MHz
 - RETURN LOSS (RL): 18dB MIN FROM 0.5MHz TO 30MHz
 - 18-20LOG(f/30)dB MIN FROM 30.1MHz TO 60MHz
 - 12dB MIN FROM 60.1MHz TO 80MHz
 - CROSSTALK ATTENUATION: 35dB MIN FROM 0.5MHz TO 40MHz
 - 33-20×LOG(f/50)dB MIN FROM 40.1MHz TO 100MHz
 - COMMON MODE REJECTION RATIO (CMRR): 30dB MIN FROM 0.5MHz TO 100MHz
 - ISOLATION VOLTAGE: COMPLIES WITH IEEE802.3 2002, PARA 23.5.1.1, ITEM b
- 4 C1 IS AN OPTIONAL IF NO CAPACITOR, TRACE IS CONTINUOUS. SEE TABLE FOR PRESENCE OF CAPACITOR IN DIFFERENT CONFIGURATIONS.
5. OPERATING TEMPERATURE FROM 0° TO +70°C
- 6 THE 250 OHM LED RESISTORS ARE OPTIONAL, PLEASE SEE CHART FOR PRESENCE OR ABSENCE OF LED RESISTORS. IF THE LED WITHOUT 250 OHM RESISTORS, LED IS DRIVEN WITH CONSTANT CURRENT AT APPROX 20mA.
 - LED COLOR: DOMINANT WAVELENGTH (λD): GREEN 568 nm TYP. @ IF=20mA
 - FORWARD VOLTAGE (VF): GREEN 2.2V TYP. @ IF=20mA
 - DOMINANT WAVELENGTH (λD): YELLOW 588 nm TYP. @ IF=20mA
 - FORWARD VOLTAGE (VF): YELLOW 2.1V TYP. @ IF=20mA
 - DOMINANT WAVELENGTH (λD): ORANGE 605 nm TYP. @ IF=20mA
 - FORWARD VOLTAGE (VF): ORANGE 2.05V TYP. @ IF=20mA
 - IF THE LED WITH 250 OHM RESISTORS, LED IS DRIVEN WITH 5V VOLTAGE AND THE MAX OPERATING CURRENT IS 20mA.
 - LED COLOR: DOMINANT WAVELENGTH (λD): GREEN 568 nm TYP. @ VF=5V
 - FORWARD CURRENT (IF): GREEN 12 mA TYP. @ VF=5V
 - DOMINANT WAVELENGTH (λD): YELLOW 588 nm TYP. @ VF=5V
 - FORWARD CURRENT (IF): YELLOW 13 mA TYP. @ VF=5V
- 7 INDICATED CONNECTIONS ARE FOR NIC CONFIGURATION. THE MAGNETICS ARE SYMMETRICAL AND SUPPORT AUTO-MDI/MDIX.
- 8 TYCO ELECTRONICS LOGO, PART NUMBER, DATE CODE, COUNTRY OF ORIGIN AND AGENCY APPROVAL MARKING IN APPROXIMATE LOCATION SHOWN.
9. THESE PARTS ARE RECOMMENDED FOR WAVE SOLDERING PROCESS, PEAK WAVE SOLDERING TEMPERATURE IS 265°C, 10SECONDS MAX.

YES	YES	GREEN	GREEN	6-6610000-1
YES	YES	GREEN	YELLOW	5-6610000-1
NO	NO	GREEN	YELLOW	6610000-8
LED RESISTOR	DECOUPLING CAPACITOR	LED1	LED2	PART NUMBER

THIS DRAWING IS A CONTROLLED DOCUMENT.

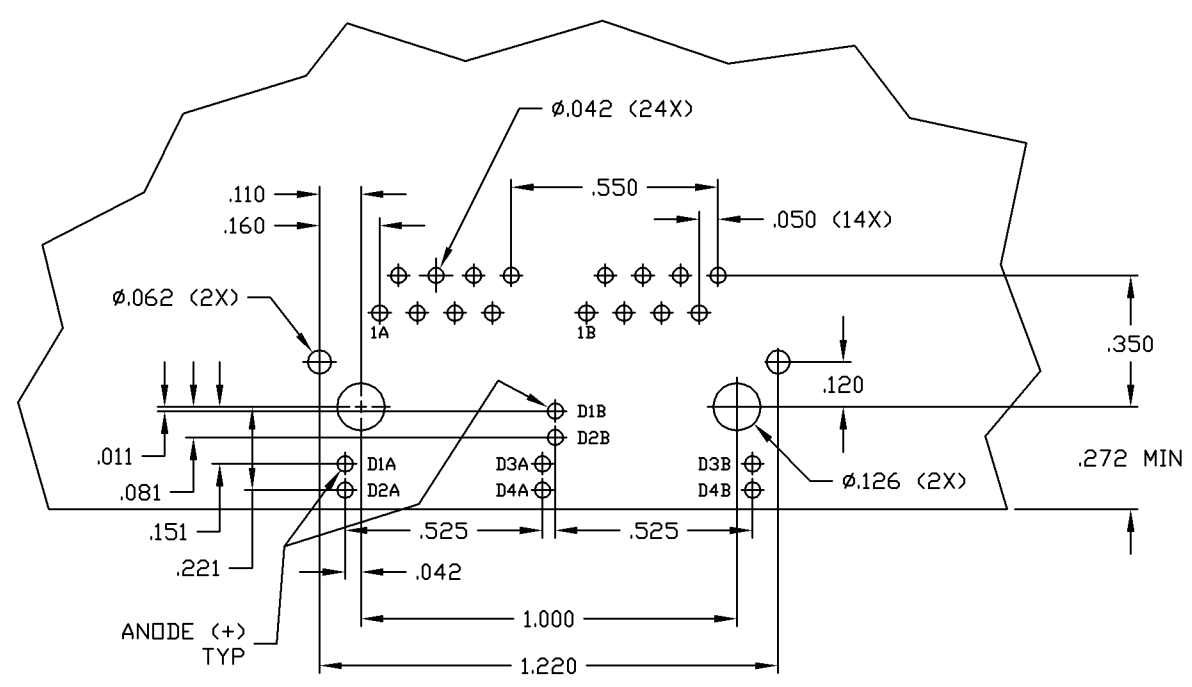
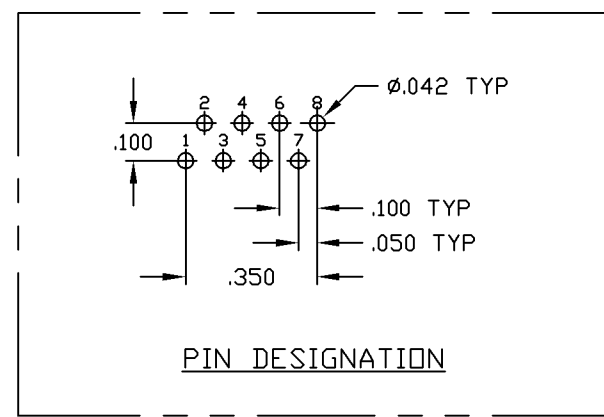
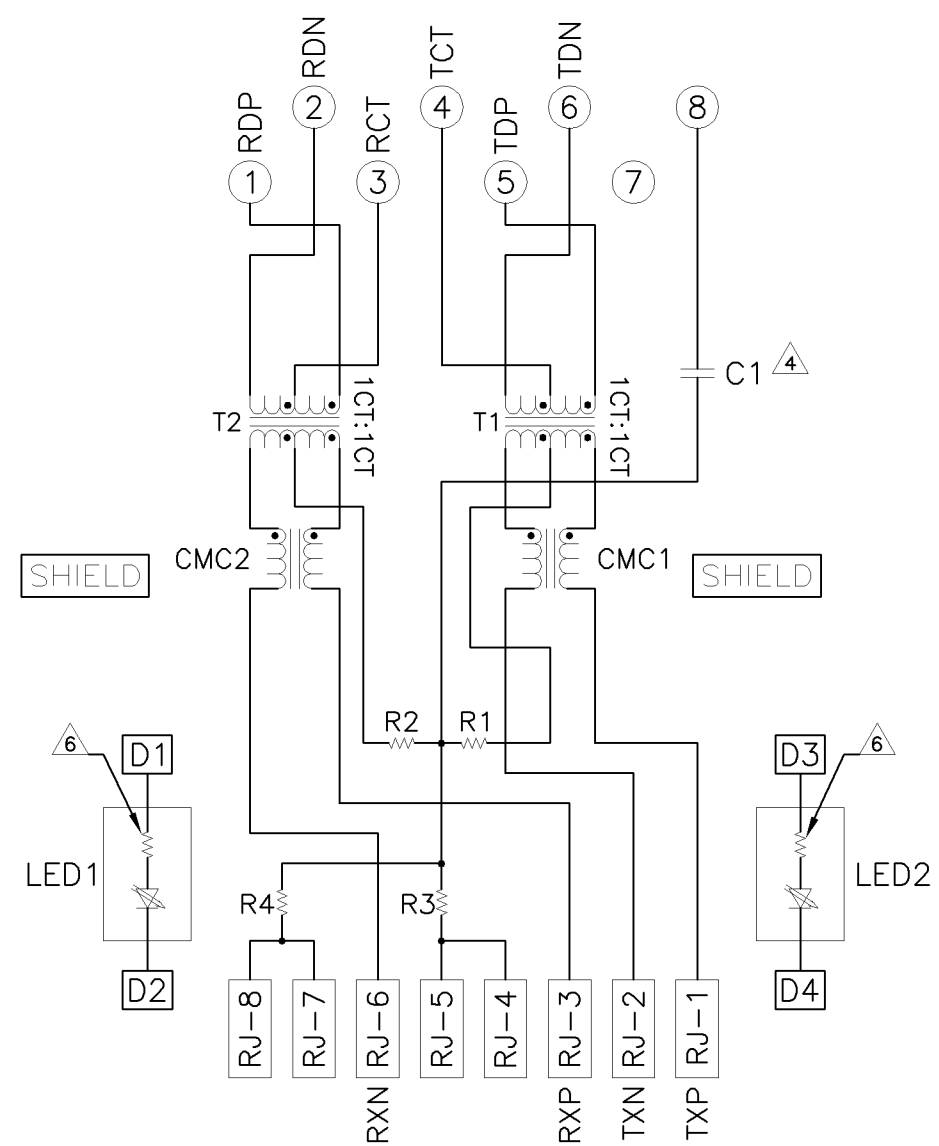
DWG NO: 15MAR2005	15MAR2005	15MAR2005	15MAR2005
DR: D. FAROLE	DR: D. FAROLE	DR: D. FAROLE	DR: D. FAROLE
PRODUCT SPEC: 108-2100	PRODUCT SPEC: 108-2100	PRODUCT SPEC: 108-2100	PRODUCT SPEC: 108-2100
APPLICATION SPEC: 108-2100	APPLICATION SPEC: 108-2100	APPLICATION SPEC: 108-2100	APPLICATION SPEC: 108-2100
SIZE: A1	CAGE CODE: 00779	DRAWING NO: C=6610000	RESTRICTED TO: -
CUSTOMER DRAWING		SCALE: 4:1	SHEET 1 OF 2 REV B

1X2 MAG45(TM) MODULAR JACK, 7N2 SCHEMATIC, 26 SERIES CIRCUIT, SHIELDED, WITH LEADS

THIS DRAWING IS UNPUBLISHED. RELEASED FOR PUBLICATION.
 BY TYCO ELECTRONICS CORPORATION. ALL RIGHTS RESERVED.

LOG	DATE	REV	DESCRIPTION	DATE	BY	APPV
AA	22		SEE SHEET 1			

726 SERIES MAGNETIC CIRCUIT 3/7



C1 = 1000pF, 2kV DECOUPLING CAPACITOR
 R1-R4 = 75 OHMS, 1/16W, 5% RESISTORS

SUGGESTED PCB LAYOUT
 (Component Side)

THIS DRAWING IS A CONTROLLED DOCUMENT.		DWN: L. VARELA - DOCKS CHK: D. FAROLE APPV: D. FAROLE DATE: 15MAR2005	Tyco Electronics Corporation Changping, China
DIMENSIONS: INCHES 0 PLG ± - 1 PLG ± - 2 PLG ± .010 3 PLG ± .005 4 PLG ± - ANGLES ± -	TOLERANCES UNLESS OTHERWISE SPECIFIED: 0 PLG ± - 1 PLG ± - 2 PLG ± .010 3 PLG ± .005 4 PLG ± - ANGLES ± -	NAME: 1X2 MAG45(TM) MODULAR JACK, 7N2 SCHEMATIC, 26 SERIES CIRCUIT, SHIELDED, WITH LEADS PRODUCT SPEC: 108-2100 APPLICATION SPEC:	SIZE: A1 DATE CODE: 00779 DRAWING NO: C=6610000 RESTRICTED TO:
MATERIAL: -	FINISH: -	WEIGHT: -	SCALE: 4:1 SHEET: 2 OF 2 REV: B