

AN78Nxx Series

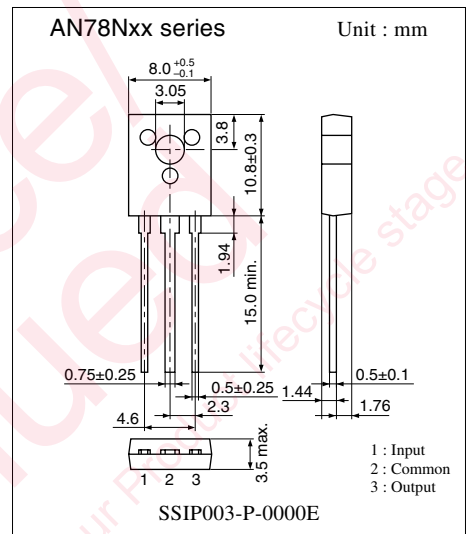
3-pin positive output voltage regulator (300 mA type)

■ Overview

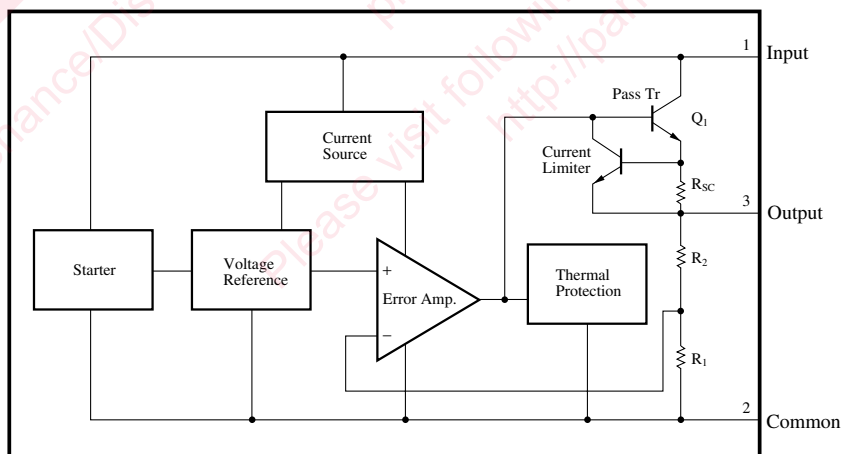
The AN78Nxx series is a 3-pin, fixed positive output type monolithic voltage regulator. Stabilized fixed output voltage is obtained from unstable DC input voltage without using any external components. 12 types of fixed output voltage are available: 4V, 5V, 6V, 7V, 8V, 9V, 10V, 12V, 15V, 18V, 20V and 24V. They can be used widely in power circuits with current capacity of up to 300mA.

■ Features

- No external components
- Output voltage: 4V, 5V, 6V, 7V, 8V, 9V, 10V, 12V, 15V, 18V, 20V, 24V
- Built-in overcurrent limit circuit
- Built-in thermal overload protection circuit
- Built-in ASO (area of safe operation) protection circuit



■ Block Diagram



■ Absolute Maximum Ratings at $T_a = 25^\circ\text{C}$

Parameter	Symbol	Rating	Unit
Input voltage	V_i	35 *1	V
		40 *2	V
Power dissipation	P_D	8 *3	W
Operating ambient temperature	T_{opr}	-20 to +80	$^\circ\text{C}$
Storage temperature	T_{stg}	-55 to +150	$^\circ\text{C}$

*1 AN78N04, AN78N05, AN78N06, AN78N07, AN78N08, AN78N09, AN78N10, AN78N12, AN78N15, AN78N18

*2 AN78N20, AN78N24

*3 Follow the derating curve. When T_j exceeds 150°C , the internal circuit cuts off the output.

■ Electrical Characteristics at $T_a = 25^\circ\text{C}$

• AN78N04 (4V type)

Parameter	Symbol	Conditions	Min	Typ	Max	Unit
Output voltage	V_O	$T_j = 25^\circ\text{C}$	3.84	4	4.16	V
Output voltage tolerance	V_O	$V_i = 6.5$ to 20V , $I_O = 5$ to 200mA	3.8	—	4.2	V
Line regulation	REG_{IN}	$V_i = 6.5$ to 25V , $T_j = 25^\circ\text{C}$	—	9	40	mV
		$V_i = 7$ to 20V , $T_j = 25^\circ\text{C}$	—	4	20	mV
Load regulation	REG_L	$I_O = 1$ to 300mA , $T_j = 25^\circ\text{C}$	—	20	80	mV
		$I_O = 5$ to 200mA , $T_j = 25^\circ\text{C}$	—	10	40	mV
Bias current	I_{Bias}	$T_j = 25^\circ\text{C}$	—	2.8	5	mA
Bias current fluctuation to input	$\Delta I_{Bias(IN)}$	$V_i = 6.5$ to 25V , $T_j = 25^\circ\text{C}$	—	—	0.8	mA
Bias current fluctuation to load	$\Delta I_{Bias(L)}$	$I_O = 1$ to 300mA , $T_j = 25^\circ\text{C}$	—	—	0.5	mA
Output noise voltage	V_{no}	$f = 10\text{Hz}$ to 100kHz	—	38	—	μV
Ripple rejection ratio	RR	$V_i = 7$ to 17V , $I_O = 50\text{mA}$, $f = 120\text{Hz}$	62	72	—	dB
Minimum input/output voltage difference	$V_{DIF(min)}$	$I_O = 300\text{mA}$, $T_j = 25^\circ\text{C}$	—	2	—	V
Output short-circuit current	$I_{O(Short)}$	$V_i = 35\text{V}$, $T_j = 25^\circ\text{C}$	—	300	—	mA
Peak output current	$I_{O(Peak)}$	$T_j = 25^\circ\text{C}$	—	500	—	mA
Output voltage temperature coefficient	$\Delta V_O/T_a$	$I_O = 5\text{mA}$, $T_j = 0$ to 125°C	—	-0.3	—	$\text{mV}/^\circ\text{C}$

Note 1) The specified condition $T_j = 25^\circ\text{C}$ means that the test should be carried out within so short a test time (within 10ms) that the characteristic value drift due to the chip junction temperature rise can be ignored.

Note 2) Unless otherwise specified, $V_i = 9\text{V}$, $I_O = 100\text{mA}$, $C_1 = 0.33\mu\text{F}$, $C_O = 0.1\mu\text{F}$ and $T_j = 0$ to 125°C

■ Electrical Characteristics at $T_a = 25^\circ\text{C}$ (continued)

• AN78N05 (5V type)

Parameter	Symbol	Conditions	Min	Typ	Max	Unit
Output voltage	V_O	$T_j = 25^\circ\text{C}$	4.8	5	5.2	V
Output voltage tolerance	V_O	$V_1 = 7.5$ to 20V , $I_O = 5$ to 200mA	4.75	—	5.25	V
Line regulation	REG_{IN}	$V_1 = 7.5$ to 25V , $T_j = 25^\circ\text{C}$	—	10	50	mV
		$V_1 = 8$ to 20V , $T_j = 25^\circ\text{C}$	—	5	25	mV
Load regulation	REG_{L}	$I_O = 1$ to 300mA , $T_j = 25^\circ\text{C}$	—	20	100	mV
		$I_O = 5$ to 200mA , $T_j = 25^\circ\text{C}$	—	10	50	mV
Bias current	I_{Bias}	$T_j = 25^\circ\text{C}$	—	2.8	5	mA
Bias current fluctuation to input	$\Delta I_{\text{Bias(IN)}}$	$V_1 = 7.5$ to 25V , $T_j = 25^\circ\text{C}$	—	—	0.8	mA
Bias current fluctuation to load	$\Delta I_{\text{Bias(L)}}$	$I_O = 1$ to 300mA , $T_j = 25^\circ\text{C}$	—	—	0.5	mA
Output noise voltage	V_{no}	$f = 10\text{Hz}$ to 100kHz	—	40	—	μV
Ripple rejection ratio	RR	$V_1 = 8$ to 18V , $I_O = 50\text{mA}$, $f = 120\text{Hz}$	62	72	—	dB
Minimum input/output voltage difference	$V_{\text{DIF(min)}}$	$I_O = 300\text{mA}$, $T_j = 25^\circ\text{C}$	—	2	—	V
Output short-circuit current	$I_{\text{O(Short)}}$	$V_1 = 35\text{V}$, $T_j = 25^\circ\text{C}$	—	300	—	mA
Peak output current	$I_{\text{O(Peak)}}$	$T_j = 25^\circ\text{C}$	—	500	—	mA
Output voltage temperature coefficient	$\Delta V_O/T_a$	$I_O = 5\text{mA}$, $T_j = 0$ to 125°C	—	-0.3	—	$\text{mV}/^\circ\text{C}$

Note 1) The specified condition $T_j = 25^\circ\text{C}$ means that the test should be carried out within so short a test time (within 10ms) that the characteristic value drift due to the chip junction temperature rise can be ignored.

Note 2) Unless otherwise specified, $V_1 = 10\text{V}$, $I_O = 100\text{mA}$, $C_1 = 0.33\mu\text{F}$, $C_O = 0.1\mu\text{F}$ and $T_j = 0$ to 125°C

• AN78N06 (6V type)

Parameter	Symbol	Conditions	Min	Typ	Max	Unit
Output voltage	V_O	$T_j = 25^\circ\text{C}$	5.75	6	6.25	V
Output voltage tolerance	V_O	$V_1 = 8.5$ to 20V , $I_O = 5$ to 200mA	5.7	—	6.3	V
Line regulation	REG_{IN}	$V_1 = 8.5$ to 25V , $T_j = 25^\circ\text{C}$	—	11	60	mV
		$V_1 = 9$ to 20V , $T_j = 25^\circ\text{C}$	—	6	30	mV
Load regulation	REG_{L}	$I_O = 1$ to 300mA , $T_j = 25^\circ\text{C}$	—	20	120	mV
		$I_O = 5$ to 200mA , $T_j = 25^\circ\text{C}$	—	10	60	mV
Bias current	I_{Bias}	$T_j = 25^\circ\text{C}$	—	2.8	5	mA
Bias current fluctuation to input	$\Delta I_{\text{Bias(IN)}}$	$V_1 = 8.5$ to 25V , $T_j = 25^\circ\text{C}$	—	—	0.8	mA
Bias current fluctuation to load	$\Delta I_{\text{Bias(L)}}$	$I_O = 1$ to 300mA , $T_j = 25^\circ\text{C}$	—	—	0.5	mA
Output noise voltage	V_{no}	$f = 10\text{Hz}$ to 100kHz	—	45	—	μV
Ripple rejection ratio	RR	$V_1 = 9$ to 19V , $I_O = 50\text{mA}$, $f = 120\text{Hz}$	59	70	—	dB
Minimum input/output voltage difference	$V_{\text{DIF(min)}}$	$I_O = 300\text{mA}$, $T_j = 25^\circ\text{C}$	—	2	—	V
Output short-circuit current	$I_{\text{O(Short)}}$	$V_1 = 35\text{V}$, $T_j = 25^\circ\text{C}$	—	300	—	mA
Peak output current	$I_{\text{O(Peak)}}$	$T_j = 25^\circ\text{C}$	—	500	—	mA
Output voltage temperature coefficient	$\Delta V_O/T_a$	$I_O = 5\text{mA}$, $T_j = 0$ to 125°C	—	-0.4	—	$\text{mV}/^\circ\text{C}$

Note 1) The specified condition $T_j = 25^\circ\text{C}$ means that the test should be carried out within so short a test time (within 10ms) that the characteristic value drift due to the chip junction temperature rise can be ignored.

Note 2) Unless otherwise specified, $V_1 = 11\text{V}$, $I_O = 100\text{mA}$, $C_1 = 0.33\mu\text{F}$, $C_O = 0.1\mu\text{F}$ and $T_j = 0$ to 125°C

■ Electrical Characteristics at $T_a = 25^\circ\text{C}$ (continued)

• AN78N07 (7V type)

Parameter	Symbol	Conditions	Min	Typ	Max	Unit
Output voltage	V_O	$T_j = 25^\circ\text{C}$	6.7	7	7.3	V
Output voltage tolerance	V_O	$V_I = 9.5$ to 20V , $I_O = 5$ to 200mA	6.65	—	7.35	V
Line regulation	REG_{IN}	$V_I = 9.5$ to 25V , $T_j = 25^\circ\text{C}$	—	12	70	mV
		$V_I = 10$ to 20V , $T_j = 25^\circ\text{C}$	—	7	35	mV
Load regulation	REG_{L}	$I_O = 1$ to 300mA , $T_j = 25^\circ\text{C}$	—	20	140	mV
		$I_O = 5$ to 200mA , $T_j = 25^\circ\text{C}$	—	10	70	mV
Bias current	I_{Bias}	$T_j = 25^\circ\text{C}$	—	2.8	5	mA
Bias current fluctuation to input	$\Delta I_{\text{Bias(IN)}}$	$V_I = 9.5$ to 25V , $T_j = 25^\circ\text{C}$	—	—	0.8	mA
Bias current fluctuation to load	$\Delta I_{\text{Bias(L)}}$	$I_O = 1$ to 300mA , $T_j = 25^\circ\text{C}$	—	—	0.5	mA
Output noise voltage	V_{no}	$f = 10\text{Hz}$ to 100kHz	—	50	—	μV
Ripple rejection ratio	RR	$V_I = 10$ to 20V , $I_O = 50\text{mA}$, $f = 120\text{Hz}$	57	69	—	dB
Minimum input/output voltage difference	$V_{\text{DIF(min)}}$	$I_O = 300\text{mA}$, $T_j = 25^\circ\text{C}$	—	2	—	V
Output short-circuit current	$I_{\text{O(Short)}}$	$V_I = 35\text{V}$, $T_j = 25^\circ\text{C}$	—	300	—	mA
Peak output current	$I_{\text{O(Peak)}}$	$T_j = 25^\circ\text{C}$	—	500	—	mA
Output voltage temperature coefficient	$\Delta V_O/T_a$	$I_O = 5\text{mA}$, $T_j = 0$ to 125°C	—	-0.4	—	$\text{mV}/^\circ\text{C}$

Note 1) The specified condition $T_j = 25^\circ\text{C}$ means that the test should be carried out within so short a test time (within 10ms) that the characteristic value drift due to the chip junction temperature rise can be ignored.

Note 2) Unless otherwise specified, $V_I = 12\text{V}$, $I_O = 100\text{mA}$, $C_1 = 0.33\mu\text{F}$, $C_O = 0.1\mu\text{F}$ and $T_j = 0$ to 125°C

• AN78N08 (8V type)

Parameter	Symbol	Conditions	Min	Typ	Max	Unit
Output voltage	V_O	$T_j = 25^\circ\text{C}$	7.7	8	8.3	V
Output voltage tolerance	V_O	$V_I = 10.5$ to 23V , $I_O = 5$ to 200mA	7.6	—	8.4	V
Line regulation	REG_{IN}	$V_I = 10.5$ to 25V , $T_j = 25^\circ\text{C}$	—	13	80	mV
		$V_I = 12$ to 23V , $T_j = 25^\circ\text{C}$	—	8	40	mV
Load regulation	REG_{L}	$I_O = 1$ to 300mA , $T_j = 25^\circ\text{C}$	—	25	160	mV
		$I_O = 5$ to 200mA , $T_j = 25^\circ\text{C}$	—	10	80	mV
Bias current	I_{Bias}	$T_j = 25^\circ\text{C}$	—	2.8	5	mA
Bias current fluctuation to input	$\Delta I_{\text{Bias(IN)}}$	$V_I = 10.5$ to 25V , $T_j = 25^\circ\text{C}$	—	—	0.8	mA
Bias current fluctuation to load	$\Delta I_{\text{Bias(L)}}$	$I_O = 1$ to 300mA , $T_j = 25^\circ\text{C}$	—	—	0.5	mA
Output noise voltage	V_{no}	$f = 10\text{Hz}$ to 100kHz	—	55	—	μV
Ripple rejection ratio	RR	$V_I = 11$ to 21V , $I_O = 50\text{mA}$, $f = 120\text{Hz}$	56	69	—	dB
Minimum input/output voltage difference	$V_{\text{DIF(min)}}$	$I_O = 300\text{mA}$, $T_j = 25^\circ\text{C}$	—	2	—	V
Output short-circuit current	$I_{\text{O(Short)}}$	$V_I = 35\text{V}$, $T_j = 25^\circ\text{C}$	—	300	—	mA
Peak output current	$I_{\text{O(Peak)}}$	$T_j = 25^\circ\text{C}$	—	500	—	mA
Output voltage temperature coefficient	$\Delta V_O/T_a$	$I_O = 5\text{mA}$, $T_j = 0$ to 125°C	—	-0.4	—	$\text{mV}/^\circ\text{C}$

Note 1) The specified condition $T_j = 25^\circ\text{C}$ means that the test should be carried out within so short a test time (within 10ms) that the characteristic value drift due to the chip junction temperature rise can be ignored.

Note 2) Unless otherwise specified, $V_I = 14\text{V}$, $I_O = 100\text{mA}$, $C_1 = 0.33\mu\text{F}$, $C_O = 0.1\mu\text{F}$ and $T_j = 0$ to 125°C

■ Electrical Characteristics at $T_a = 25^\circ\text{C}$ (continued)

• AN78N09 (9V type)

Parameter	Symbol	Conditions	Min	Typ	Max	Unit
Output voltage	V_O	$T_j = 25^\circ\text{C}$	8.65	9	9.35	V
Output voltage tolerance	V_O	$V_I = 11.5$ to 24V , $I_O = 5$ to 200mA	8.55	—	9.45	V
Line regulation	REG_{IN}	$V_I = 11.5$ to 25V , $T_j = 25^\circ\text{C}$	—	14	90	mV
		$V_I = 13$ to 24V , $T_j = 25^\circ\text{C}$	—	9	45	mV
Load regulation	REG_{L}	$I_O = 1$ to 300mA , $T_j = 25^\circ\text{C}$	—	25	180	mV
		$I_O = 5$ to 200mA , $T_j = 25^\circ\text{C}$	—	10	90	mV
Bias current	I_{Bias}	$T_j = 25^\circ\text{C}$	—	2.8	5	mA
Bias current fluctuation to input	$\Delta I_{\text{Bias(IN)}}$	$V_I = 11.5$ to 25V , $T_j = 25^\circ\text{C}$	—	—	0.8	mA
Bias current fluctuation to load	$\Delta I_{\text{Bias(L)}}$	$I_O = 1$ to 300mA , $T_j = 25^\circ\text{C}$	—	—	0.5	mA
Output noise voltage	V_{no}	$f = 10\text{Hz}$ to 100kHz	—	60	—	μV
Ripple rejection ratio	RR	$V_I = 12$ to 22V , $I_O = 50\text{mA}$, $f = 120\text{Hz}$	56	68	—	dB
Minimum input/output voltage difference	$V_{\text{DIF(min)}}$	$I_O = 300\text{mA}$, $T_j = 25^\circ\text{C}$	—	2	—	V
Output short-circuit current	$I_{\text{O(Short)}}$	$V_I = 35\text{V}$, $T_j = 25^\circ\text{C}$	—	300	—	mA
Peak output current	$I_{\text{O(Peak)}}$	$T_j = 25^\circ\text{C}$	—	500	—	mA
Output voltage temperature coefficient	$\Delta V_O/T_a$	$I_O = 5\text{mA}$, $T_j = 0$ to 125°C	—	-0.5	—	$\text{mV}/^\circ\text{C}$

Note 1) The specified condition $T_j = 25^\circ\text{C}$ means that the test should be carried out within so short a test time (within 10ms) that the characteristic value drift due to the chip junction temperature rise can be ignored.

Note 2) Unless otherwise specified, $V_I = 15\text{V}$, $I_O = 100\text{mA}$, $C_I = 0.33\mu\text{F}$, $C_O = 0.1\mu\text{F}$ and $T_j = 0$ to 125°C

• AN78N10 (10V type)

Parameter	Symbol	Conditions	Min	Typ	Max	Unit
Output voltage	V_O	$T_j = 25^\circ\text{C}$	9.6	10	10.4	V
Output voltage tolerance	V_O	$V_I = 12.5$ to 25V , $I_O = 5$ to 200mA	9.5	—	10.5	V
Line regulation	REG_{IN}	$V_I = 12.5$ to 30V , $T_j = 25^\circ\text{C}$	—	15	100	mV
		$V_I = 13$ to 25V , $T_j = 25^\circ\text{C}$	—	10	50	mV
Load regulation	REG_{L}	$I_O = 1$ to 300mA , $T_j = 25^\circ\text{C}$	—	25	200	mV
		$I_O = 5$ to 200mA , $T_j = 25^\circ\text{C}$	—	10	100	mV
Bias current	I_{Bias}	$T_j = 25^\circ\text{C}$	—	2.8	5	mA
Bias current fluctuation to input	$\Delta I_{\text{Bias(IN)}}$	$V_I = 12.5$ to 30V , $T_j = 25^\circ\text{C}$	—	—	0.8	mA
Bias current fluctuation to load	$\Delta I_{\text{Bias(L)}}$	$I_O = 1$ to 300mA , $T_j = 25^\circ\text{C}$	—	—	0.5	mA
Output noise voltage	V_{no}	$f = 10\text{Hz}$ to 100kHz	—	70	—	μV
Ripple rejection ratio	RR	$V_I = 13$ to 23V , $I_O = 50\text{mA}$, $f = 120\text{Hz}$	56	68	—	dB
Minimum input/output voltage difference	$V_{\text{DIF(min)}}$	$I_O = 300\text{mA}$, $T_j = 25^\circ\text{C}$	—	2	—	V
Output short-circuit current	$I_{\text{O(Short)}}$	$V_I = 35\text{V}$, $T_j = 25^\circ\text{C}$	—	300	—	mA
Peak output current	$I_{\text{O(Peak)}}$	$T_j = 25^\circ\text{C}$	—	500	—	mA
Output voltage temperature coefficient	$\Delta V_O/T_a$	$I_O = 5\text{mA}$, $T_j = 0$ to 125°C	—	-0.5	—	$\text{mV}/^\circ\text{C}$

Note 1) The specified condition $T_j = 25^\circ\text{C}$ means that the test should be carried out within so short a test time (within 10ms) that the characteristic value drift due to the chip junction temperature rise can be ignored.

Note 2) Unless otherwise specified, $V_I = 16\text{V}$, $I_O = 100\text{mA}$, $C_I = 0.33\mu\text{F}$, $C_O = 0.1\mu\text{F}$ and $T_j = 0$ to 125°C

■ Electrical Characteristics at $T_a = 25^\circ\text{C}$ (continued)

• AN78N12 (12V type)

Parameter	Symbol	Conditions	Min	Typ	Max	Unit
Output voltage	V_O	$T_j = 25^\circ\text{C}$	11.5	12	12.5	V
Output voltage tolerance	V_O	$V_I = 14.5$ to 27V , $I_O = 5$ to 200mA	11.4	—	12.6	V
Line regulation	REG_{IN}	$V_I = 14.5$ to 30V , $T_j = 25^\circ\text{C}$	—	15	100	mV
		$V_I = 16$ to 27V , $T_j = 25^\circ\text{C}$	—	10	50	mV
Load regulation	REG_{L}	$I_O = 1$ to 300mA , $T_j = 25^\circ\text{C}$	—	25	240	mV
		$I_O = 5$ to 200mA , $T_j = 25^\circ\text{C}$	—	10	120	mV
Bias current	I_{Bias}	$T_j = 25^\circ\text{C}$	—	2.8	5	mA
Bias current fluctuation to input	$\Delta I_{\text{Bias(IN)}}$	$V_I = 14.5$ to 30V , $T_j = 25^\circ\text{C}$	—	—	0.8	mA
Bias current fluctuation to load	$\Delta I_{\text{Bias(L)}}$	$I_O = 1$ to 300mA , $T_j = 25^\circ\text{C}$	—	—	0.5	mA
Output noise voltage	V_{no}	$f = 10\text{Hz}$ to 100kHz	—	80	—	μV
Ripple rejection ratio	RR	$V_I = 15$ to 25V , $I_O = 50\text{mA}$, $f = 120\text{Hz}$	55	67	—	dB
Minimum input/output voltage difference	$V_{\text{DIF(min)}}$	$I_O = 300\text{mA}$, $T_j = 25^\circ\text{C}$	—	2	—	V
Output short-circuit current	$I_{\text{O(Short)}}$	$V_I = 35\text{V}$, $T_j = 25^\circ\text{C}$	—	300	—	mA
Peak output current	$I_{\text{O(Peak)}}$	$T_j = 25^\circ\text{C}$	—	500	—	mA
Output voltage temperature coefficient	$\Delta V_O/T_a$	$I_O = 5\text{mA}$, $T_j = 0$ to 125°C	—	-0.6	—	$\text{mV}/^\circ\text{C}$

Note 1) The specified condition $T_j = 25^\circ\text{C}$ means that the test should be carried out within so short a test time (within 10ms) that the characteristic value drift due to the chip junction temperature rise can be ignored.

Note 2) Unless otherwise specified, $V_I = 19\text{V}$, $I_O = 100\text{mA}$, $C_I = 0.33\mu\text{F}$, $C_O = 0.1\mu\text{F}$ and $T_j = 0$ to 125°C

• AN78N15 (15V type)

Parameter	Symbol	Conditions	Min	Typ	Max	Unit
Output voltage	V_O	$T_j = 25^\circ\text{C}$	14.4	15	15.6	V
Output voltage tolerance	V_O	$V_I = 17.5$ to 30V , $I_O = 5$ to 200mA	14.25	—	15.75	V
Line regulation	REG_{IN}	$V_I = 17.5$ to 30V , $T_j = 25^\circ\text{C}$	—	16	100	mV
		$V_I = 20$ to 30V , $T_j = 25^\circ\text{C}$	—	11	50	mV
Load regulation	REG_{L}	$I_O = 1$ to 300mA , $T_j = 25^\circ\text{C}$	—	25	300	mV
		$I_O = 5$ to 200mA , $T_j = 25^\circ\text{C}$	—	10	150	mV
Bias current	I_{Bias}	$T_j = 25^\circ\text{C}$	—	2.8	5	mA
Bias current fluctuation to input	$\Delta I_{\text{Bias(IN)}}$	$V_I = 17.5$ to 30V , $T_j = 25^\circ\text{C}$	—	—	0.8	mA
Bias current fluctuation to load	$\Delta I_{\text{Bias(L)}}$	$I_O = 1$ to 300mA , $T_j = 25^\circ\text{C}$	—	—	0.5	mA
Output noise voltage	V_{no}	$f = 10\text{Hz}$ to 100kHz	—	80	—	μV
Ripple rejection ratio	RR	$V_I = 18.5$ to 28.5V , $I_O = 50\text{mA}$, $f = 120\text{Hz}$	54	66	—	dB
Minimum input/output voltage difference	$V_{\text{DIF(min)}}$	$I_O = 300\text{mA}$, $T_j = 25^\circ\text{C}$	—	2	—	V
Output short-circuit current	$I_{\text{O(Short)}}$	$V_I = 35\text{V}$, $T_j = 25^\circ\text{C}$	—	300	—	mA
Peak output current	$I_{\text{O(Peak)}}$	$T_j = 25^\circ\text{C}$	—	500	—	mA
Output voltage temperature coefficient	$\Delta V_O/T_a$	$I_O = 5\text{mA}$, $T_j = 0$ to 125°C	—	-0.8	—	$\text{mV}/^\circ\text{C}$

Note 1) The specified condition $T_j = 25^\circ\text{C}$ means that the test should be carried out within so short a test time (within 10ms) that the characteristic value drift due to the chip junction temperature rise can be ignored.

Note 2) Unless otherwise specified, $V_I = 23\text{V}$, $I_O = 100\text{mA}$, $C_I = 0.33\mu\text{F}$, $C_O = 0.1\mu\text{F}$ and $T_j = 0$ to 125°C

■ Electrical Characteristics at $T_a = 25^\circ\text{C}$ (continued)

• AN78N18 (18V type)

Parameter	Symbol	Conditions	Min	Typ	Max	Unit
Output voltage	V_O	$T_j = 25^\circ\text{C}$	17.3	18	18.7	V
Output voltage tolerance	V_O	$V_I = 21$ to 33V , $I_O = 5$ to 200mA	17.1	—	18.9	V
Line regulation	REG_{IN}	$V_I = 21$ to 33V , $T_j = 25^\circ\text{C}$	—	18	100	mV
		$V_I = 22$ to 33V , $T_j = 25^\circ\text{C}$	—	13	50	mV
Load regulation	REG_{L}	$I_O = 1$ to 300mA , $T_j = 25^\circ\text{C}$	—	30	360	mV
		$I_O = 5$ to 200mA , $T_j = 25^\circ\text{C}$	—	10	180	mV
Bias current	I_{Bias}	$T_j = 25^\circ\text{C}$	—	2.8	5	mA
Bias current fluctuation to input	$\Delta I_{\text{Bias(IN)}}$	$V_I = 21$ to 33V , $T_j = 25^\circ\text{C}$	—	—	0.8	mA
Bias current fluctuation to load	$\Delta I_{\text{Bias(L)}}$	$I_O = 1$ to 300mA , $T_j = 25^\circ\text{C}$	—	—	0.5	mA
Output noise voltage	V_{no}	$f = 10\text{Hz}$ to 100kHz	—	90	—	μV
Ripple rejection ratio	RR	$V_I = 22$ to 32V , $I_O = 50\text{mA}$, $f = 120\text{Hz}$	53	65	—	dB
Minimum input/output voltage difference	$V_{\text{DIF(min)}}$	$I_O = 300\text{mA}$, $T_j = 25^\circ\text{C}$	—	2	—	V
Output short-circuit current	$I_{\text{O(Short)}}$	$V_I = 35\text{V}$, $T_j = 25^\circ\text{C}$	—	300	—	mA
Peak output current	$I_{\text{O(Peak)}}$	$T_j = 25^\circ\text{C}$	—	500	—	mA
Output voltage temperature coefficient	$\Delta V_O/T_a$	$I_O = 5\text{mA}$, $T_j = 0$ to 125°C	—	-1.0	—	$\text{mV}/^\circ\text{C}$

Note 1) The specified condition $T_j = 25^\circ\text{C}$ means that the test should be carried out within so short a test time (within 10ms) that the characteristic value drift due to the chip junction temperature rise can be ignored.

Note 2) Unless otherwise specified, $V_I = 27\text{V}$, $I_O = 100\text{mA}$, $C_I = 0.33\mu\text{F}$, $C_O = 0.1\mu\text{F}$ and $T_j = 0$ to 125°C

• AN78N20 (20V type)

Parameter	Symbol	Conditions	Min	Typ	Max	Unit
Output voltage	V_O	$T_j = 25^\circ\text{C}$	19.2	20	20.8	V
Output voltage tolerance	V_O	$V_I = 23$ to 35V , $I_O = 5$ to 200mA	19.0	—	21	V
Line regulation	REG_{IN}	$V_I = 23$ to 35V , $T_j = 25^\circ\text{C}$	—	19	100	mV
		$V_I = 24$ to 35V , $T_j = 25^\circ\text{C}$	—	14	50	mV
Load regulation	REG_{L}	$I_O = 1$ to 300mA , $T_j = 25^\circ\text{C}$	—	30	400	mV
		$I_O = 5$ to 200mA , $T_j = 25^\circ\text{C}$	—	10	200	mV
Bias current	I_{Bias}	$T_j = 25^\circ\text{C}$	—	2.8	5	mA
Bias current fluctuation to input	$\Delta I_{\text{Bias(IN)}}$	$V_I = 23$ to 35V , $T_j = 25^\circ\text{C}$	—	—	0.8	mA
Bias current fluctuation to load	$\Delta I_{\text{Bias(L)}}$	$I_O = 1$ to 300mA , $T_j = 25^\circ\text{C}$	—	—	0.5	mA
Output noise voltage	V_{no}	$f = 10\text{Hz}$ to 100kHz	—	100	—	μV
Ripple rejection ratio	RR	$V_I = 24$ to 34V , $I_O = 50\text{mA}$, $f = 120\text{Hz}$	52	64	—	dB
Minimum input/output voltage difference	$V_{\text{DIF(min)}}$	$I_O = 300\text{mA}$, $T_j = 25^\circ\text{C}$	—	2	—	V
Output short-circuit current	$I_{\text{O(Short)}}$	$V_I = 35\text{V}$, $T_j = 25^\circ\text{C}$	—	300	—	mA
Peak output current	$I_{\text{O(Peak)}}$	$T_j = 25^\circ\text{C}$	—	500	—	mA
Output voltage temperature coefficient	$\Delta V_O/T_a$	$I_O = 5\text{mA}$, $T_j = 0$ to 125°C	—	-1.2	—	$\text{mV}/^\circ\text{C}$

Note 1) The specified condition $T_j = 25^\circ\text{C}$ means that the test should be carried out within so short a test time (within 10ms) that the characteristic value drift due to the chip junction temperature rise can be ignored.

Note 2) Unless otherwise specified, $V_I = 29\text{V}$, $I_O = 100\text{mA}$, $C_I = 0.33\mu\text{F}$, $C_O = 0.1\mu\text{F}$ and $T_j = 0$ to 125°C

■ Electrical Characteristics at $T_a = 25^\circ\text{C}$ (continued)

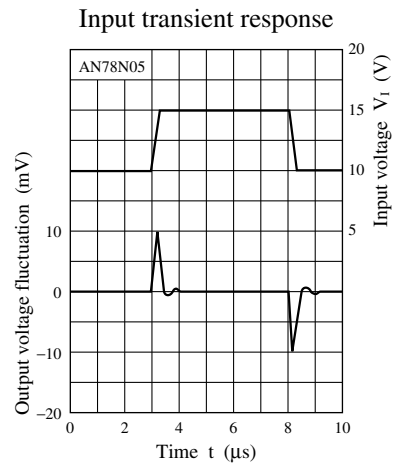
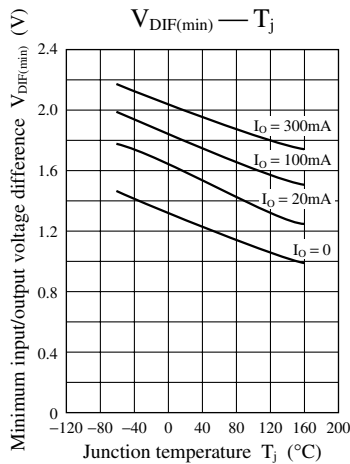
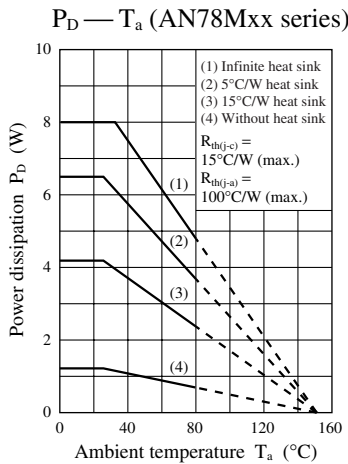
• AN78N24 (24V type)

Parameter	Symbol	Conditions	Min	Typ	Max	Unit
Output voltage	V_O	$T_j = 25^\circ\text{C}$	23	24	25	V
Output voltage tolerance	V_O	$V_I = 27$ to 38V , $I_O = 5$ to 200mA	22.8	—	25.2	V
Line regulation	REG_{IN}	$V_I = 27$ to 38V , $T_j = 25^\circ\text{C}$	—	20	100	mV
		$V_I = 28$ to 38V , $T_j = 25^\circ\text{C}$	—	15	50	mV
Load regulation	REG_{L}	$I_O = 1$ to 300mA , $T_j = 25^\circ\text{C}$	—	30	480	mV
		$I_O = 5$ to 200mA , $T_j = 25^\circ\text{C}$	—	10	240	mV
Bias current	I_{Bias}	$T_j = 25^\circ\text{C}$	—	2.8	5	mA
Bias current fluctuation to input	$\Delta I_{\text{Bias(IN)}}$	$V_I = 27$ to 38V , $T_j = 25^\circ\text{C}$	—	—	0.8	mA
Bias current fluctuation to load	$\Delta I_{\text{Bias(L)}}$	$I_O = 1$ to 300mA , $T_j = 25^\circ\text{C}$	—	—	0.5	mA
Output noise voltage	V_{no}	$f = 10\text{Hz}$ to 100kHz	—	110	—	μV
Ripple rejection ratio	RR	$V_I = 28$ to 38V , $I_O = 50\text{mA}$, $f = 120\text{Hz}$	50	63	—	dB
Minimum input/output voltage difference	$V_{\text{DIF(min)}}$	$I_O = 300\text{mA}$, $T_j = 25^\circ\text{C}$	—	2	—	V
Output short-circuit current	$I_{\text{O(Short)}}$	$V_I = 35\text{V}$, $T_j = 25^\circ\text{C}$	—	300	—	mA
Peak output current	$I_{\text{O(Peak)}}$	$T_j = 25^\circ\text{C}$	—	500	—	mA
Output voltage temperature coefficient	$\Delta V_O/T_a$	$I_O = 5\text{mA}$, $T_j = 0$ to 125°C	—	-1.5	—	$\text{mV}/^\circ\text{C}$

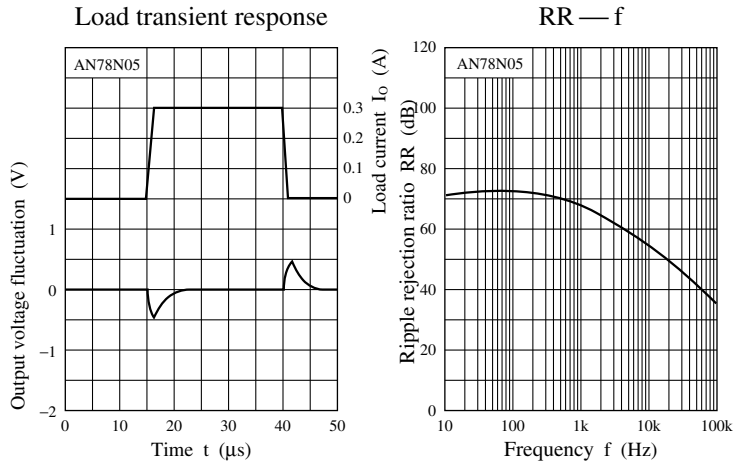
Note 1) The specified condition $T_j = 25^\circ\text{C}$ means that the test should be carried out within so short a test time (within 10ms) that the characteristic value drift due to the chip junction temperature rise can be ignored.

Note 2) Unless otherwise specified, $V_I = 33\text{V}$, $I_O = 100\text{mA}$, $C_I = 0.33\mu\text{F}$, $C_O = 0.1\mu\text{F}$ and $T_j = 0$ to 125°C

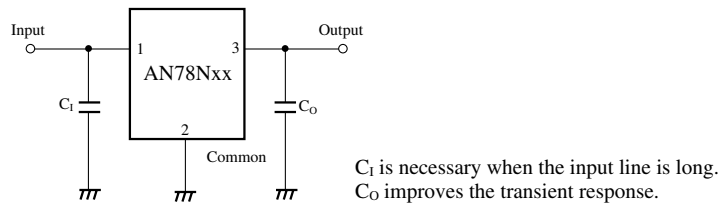
■ Main Characteristics



■ Main Characteristics (continued)



■ Basic Regulator Circuit



■ Usage Notes

1. Cautions for a basic circuit

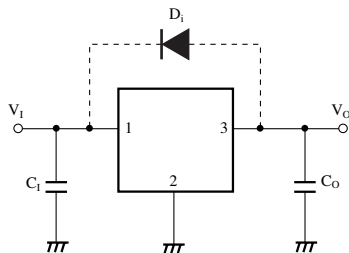


Figure 1

C_1 : When a wiring from a smoothing circuit to a three-pin regulator is long, it is likely to oscillate at output. A capacitor of 0.1μF to 0.47μF should be connected near an input pin.

C_0 : When any sudden change of load current is likely to occur, connect an electrolytic capacitor of 10μF to 100μF to improve a transitional response of output voltage.

D_i : Normally unnecessary. But add it in the case that there is a residual voltage at the output capacitor C_0 even after switching off the supply power because a current is likely to flow into an output pin of the IC and damage the IC.

■ Usage Notes (continued)

2. Other caution items

1) Short-circuit between the input pin and GND pin

If the input pin is short-circuited to GND or is cut off when a large capacitance capacitor has been connected to the IC's load, a voltage of a capacitor connected to an output pin is applied between input/output of the IC and this likely results in damage of the IC. It is necessary, therefore, to connect a diode, as shown in figure 2, to counter the reverse bias between input/output pins.

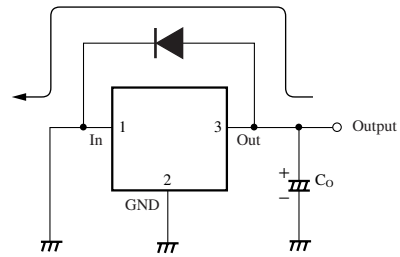
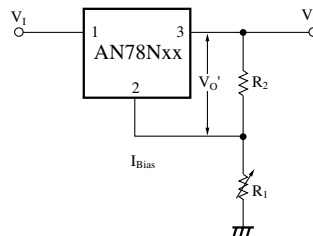
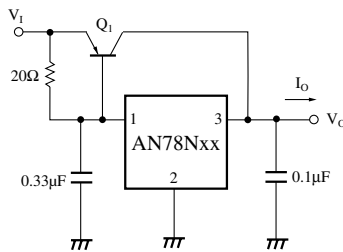


Figure 2

2) Floating of GND pin

If a GND pin is made floating in an operating mode, an unstabilized input voltage is outputted. In this case, a thermal protection circuit inside the IC does not normally operate. In this state, if the load is short-circuited or overloaded, it is likely to damage the IC.

■ Application Circuit Examples



$$|V_o| = V_o' + \left(I_{Bias} + \frac{V_o'}{R_2} \right) R_1$$

Note) V_o varies due to sample to sample variation of I_{Bias} .
Never fail to adjust individually with R_1 .

Request for your special attention and precautions in using the technical information and semiconductors described in this book

- (1) If any of the products or technical information described in this book is to be exported or provided to non-residents, the laws and regulations of the exporting country, especially, those with regard to security export control, must be observed.
- (2) The technical information described in this book is intended only to show the main characteristics and application circuit examples of the products, and no license is granted under any intellectual property right or other right owned by our company or any other company. Therefore, no responsibility is assumed by our company as to the infringement upon any such right owned by any other company which may arise as a result of the use of technical information described in this book.
- (3) The products described in this book are intended to be used for standard applications or general electronic equipment (such as office equipment, communications equipment, measuring instruments and household appliances).
Consult our sales staff in advance for information on the following applications:
 - Special applications (such as for airplanes, aerospace, automobiles, traffic control equipment, combustion equipment, life support systems and safety devices) in which exceptional quality and reliability are required, or if the failure or malfunction of the products may directly jeopardize life or harm the human body.
 - Any applications other than the standard applications intended.
- (4) The products and product specifications described in this book are subject to change without notice for modification and/or improvement. At the final stage of your design, purchasing, or use of the products, therefore, ask for the most up-to-date Product Standards in advance to make sure that the latest specifications satisfy your requirements.
- (5) When designing your equipment, comply with the range of absolute maximum rating and the guaranteed operating conditions (operating power supply voltage and operating environment etc.). Especially, please be careful not to exceed the range of absolute maximum rating on the transient state, such as power-on, power-off and mode-switching. Otherwise, we will not be liable for any defect which may arise later in your equipment.
 - Even when the products are used within the guaranteed values, take into the consideration of incidence of break down and failure mode, possible to occur to semiconductor products. Measures on the systems such as redundant design, arresting the spread of fire or preventing glitch are recommended in order to prevent physical injury, fire, social damages, for example, by using the products.
- (6) Comply with the instructions for use in order to prevent breakdown and characteristics change due to external factors (ESD, EOS, thermal stress and mechanical stress) at the time of handling, mounting or at customer's process. When using products for which damp-proof packing is required, satisfy the conditions, such as shelf life and the elapsed time since first opening the packages.
- (7) This book may be not reprinted or reproduced whether wholly or partially, without the prior written permission of Matsushita Electric Industrial Co., Ltd.