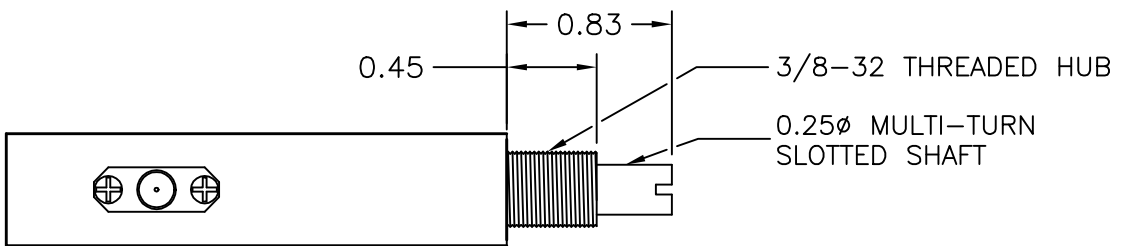
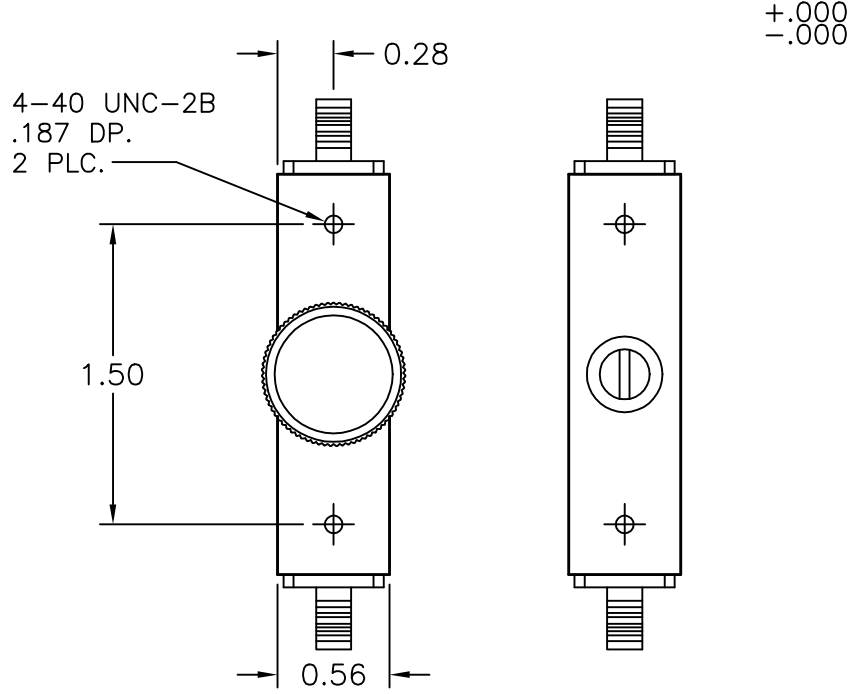
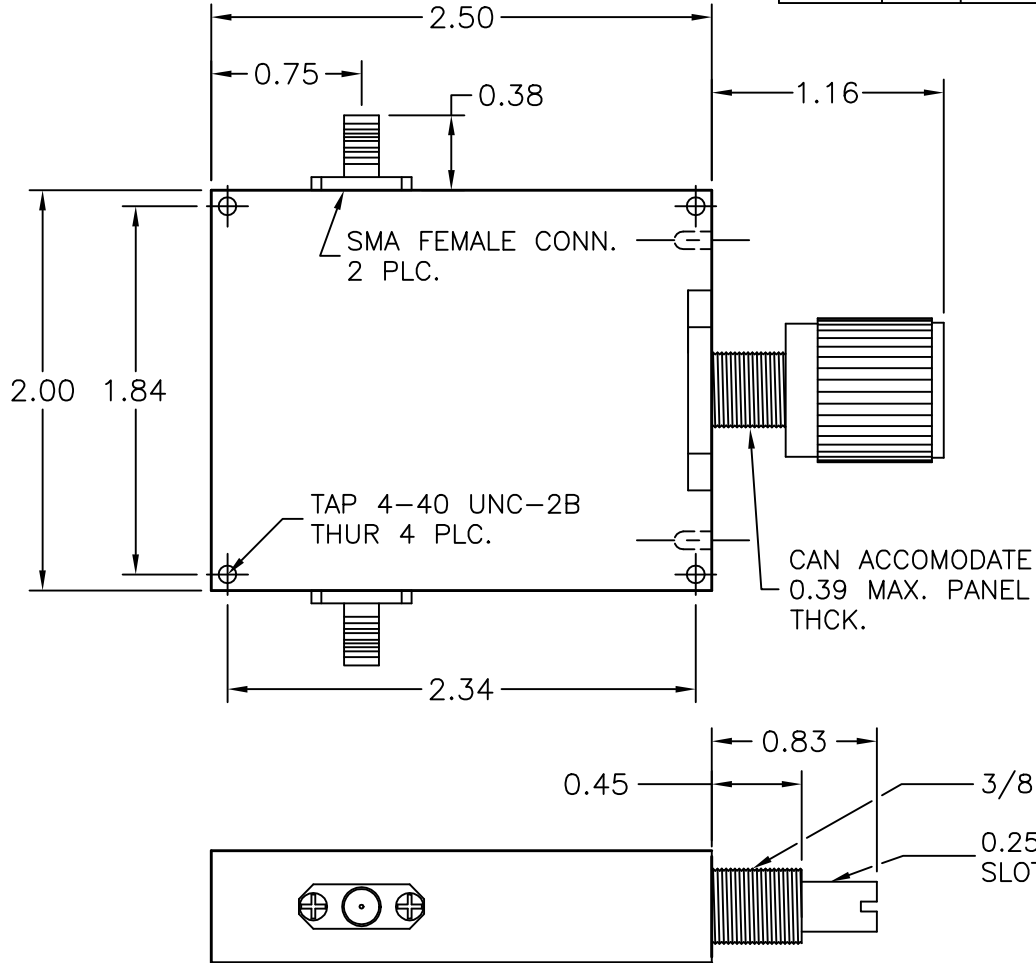


QUANTITY	MODEL NUMBER	NEXT ASSEMBLY	REVISIONS				
			ZONE	REV	DESCRIPTION	DATE	APPROVED
1	AV/AF98X-XX	0000		A	INITIAL RELEASE	4/5/01	



THIRD ANGLE PROJECTION =		DRAWN R. LYNCH	DATE 4/5/01	ADVANCED TECHNICAL MATERIALS, INC. 49 RIDER AVENUE, PATCHOGUE N.Y. 11772 TEL: (631) 289-0363 FAX: (631) 289-0358			
UNLESS OTHERWISE SPECIFIED DIMENSIONS ARE IN INCHES TOLERANCES ARE: FRACTIONS DECIMALS ANGELS ±1/64 ±.01 ±1/2° ±.005		CHECKED		AV/AF98 ATTENUATOR			
PROPRIETARY NOTICE The information contained in this drawing is proprietary and shall not be used or disclosed without the prior written consent of ATM, Inc.		APPROVED					
MATERIAL				SIZE A	FSCM NO. 0R8N4	DWG NO. 4218	REV A
FINISH ATM STANDARD GREY				SCALE: 1 To 1	DO NOT SCALE DRAWING	SHEET 3 OF 3	